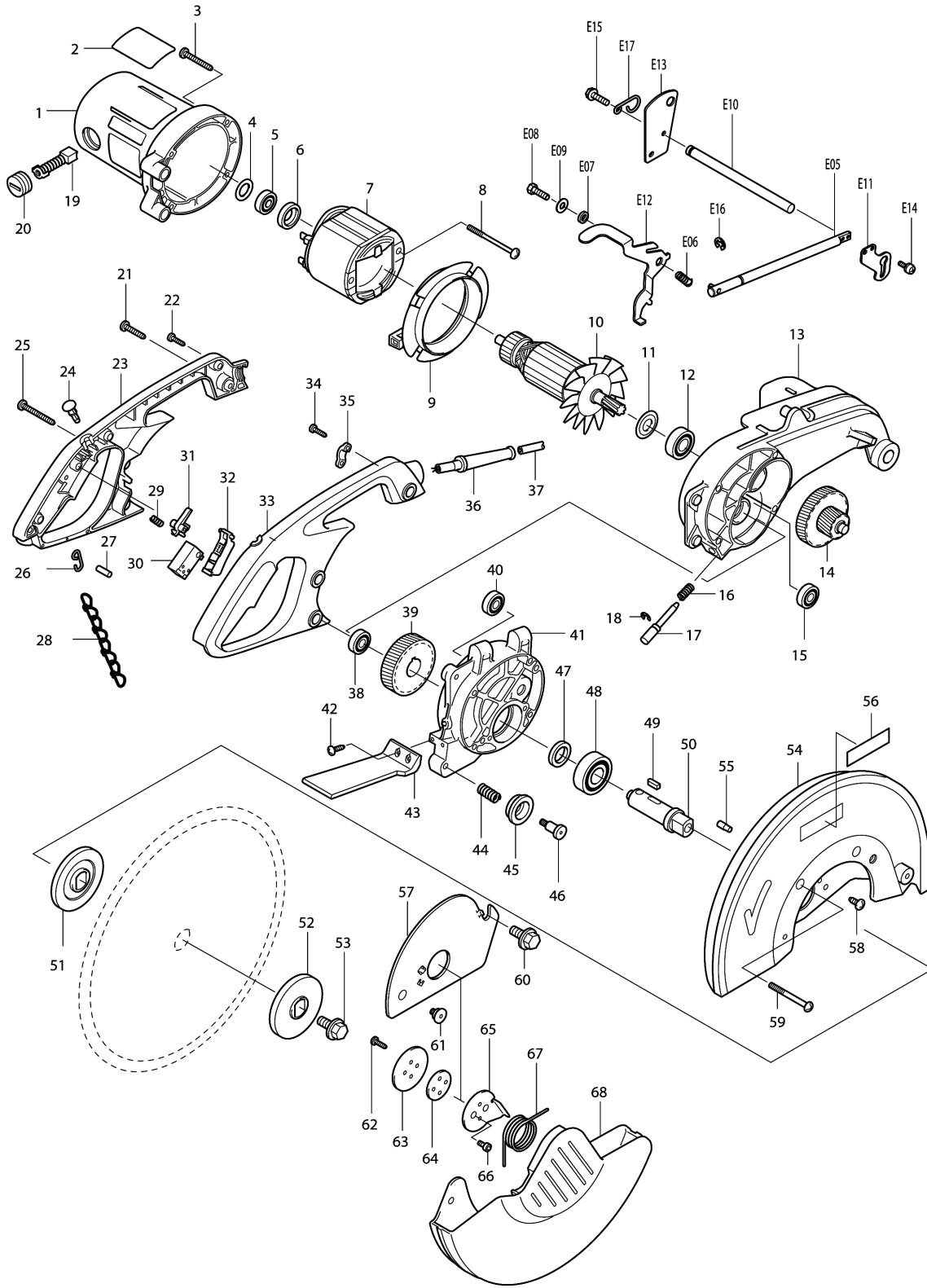
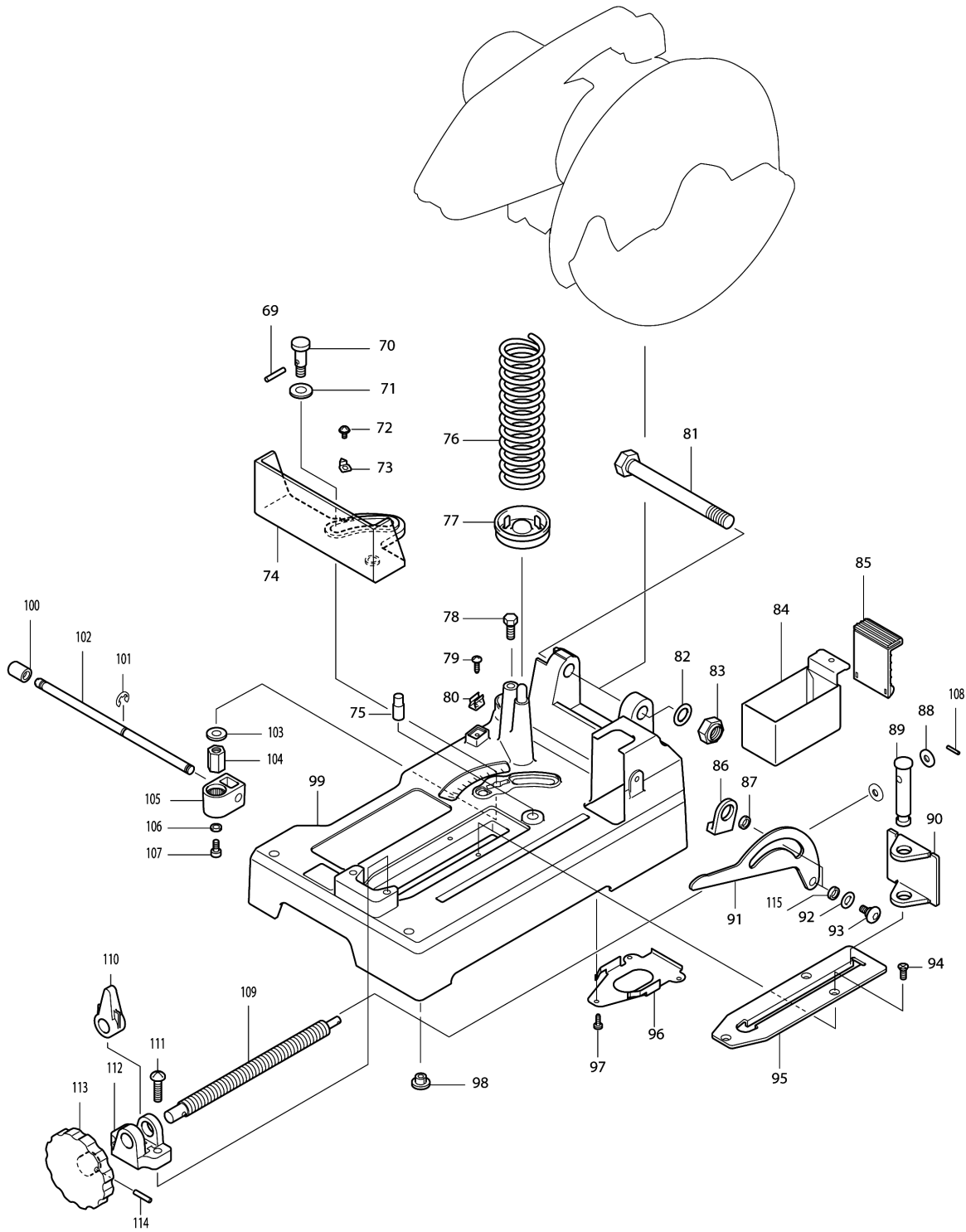


Model No.LC1230 METAL CUTTING SAW 305MM



Model No.LC1230 METAL CUTTING SAW 305MM



Model No.LC1230 METAL CUTTING SAW 305MM

| Item | Parts No. | Description | I/C | Qty | New/Old | Opt. 1 | Opt. 2 | Note |
|--------|-----------|-------------------------------|-----|-----|---------|--------|--------|------|
| 001A_ | 151641-6 | MOTOR HOUSING COMPLETE | | 1 | | | | |
| C20 | 643705-5 | BRUSH HOLDER | | 2 | * | | | |
| C21 | 643707-1 | BRUSH HOLDER | O | 2 | | | | |
| C21 | 643707-1 | BRUSH HOLDER | | 2 | | | | |
| C10 | 632799-5 | SUPPORT UNIT | | 1 | | | | |
| C30 | 810964-8 | CAUTION LABEL | | 1 | | | | |
| C40 | 810968-0 | CAUTION LABEL | | 1 | | | | |
| 002 | 851537-8 | NAME PLATE LC1230 | | 1 | | | | |
| 003 | 266028-0 | TAPPING SCREW BIND CT 5X40 | | 4 | | | | |
| 004 | 253749-3 | FLAT WASHER 16 | | 1 | | | | |
| 005A | 210053-3 | BALL BEARING 629LLB | | 1 | * | | | |
| 005-1A | 211056-0 | BALL BEARING 629LLB | O | 1 | * | | | |
| 005-2A | 210042-8 | BALL BEARING 629LLB | O | 1 | | | | |
| 005-2B | 210042-8 | BALL BEARING 629LLB | | 1 | | | | |
| 006A | 681633-6 | INSULATION WASHER | | 1 | * | | | |
| 006-1A | 681666-1 | INSULATION WASHER | O | 1 | | | | |
| 006-1B | 681666-1 | INSULATION WASHER | | 1 | | | | |
| 007A_ | 636168-2 | FIELD 220V | | 1 | | | | |
| 008 | 266059-9 | TAPPING SCREW 5X75 | | 2 | | | | |
| 009 | 415475-4 | BAFFLE PLATE | | 1 | | | | |
| 010A_A | 516573-8 | ARMATURE ASS'Y 220V | | 1 | * | | | |
| C10 | 241514-2 | FAN 92 | | 1 | * | | | |
| D10 | | INC. 5,6 | | | * | | | |
| 010A1A | 510283-9 | ARMATURE ASS'Y 220V | O | 1 | | | | |
| C10 | 241514-2 | FAN 92 | | 1 | | | | |
| D10 | | INC. 5,6 | | | | | | |
| 010A1B | 510283-9 | ARMATURE ASS'Y 220V | | 1 | | | | |
| C10 | 241514-2 | FAN 92 | | 1 | | | | |
| D10 | | INC. 5,6 | | | | | | |
| 011 | 267714-6 | WASHER 15 | | 1 | | | | |
| 012 | 211206-7 | BALL BEARING 6202LLB | | 1 | | | | |
| 013A_A | 317147-6 | GEAR HOUSING L | | 1 | | | | |
| 013A_B | 316626-1 | GEAR HOUSING (L) | | 1 | | | | |
| 014 | 226122-0 | GEAR COMPLETE 16-44 | | 1 | | | | |
| 015 | 211064-1 | BALL BEARING 6000 | | 1 | | | | |
| 016 | 231418-6 | COMPRESSION SPRING 9 | | 1 | | | | |
| 017 | 322678-2 | SHAFT LOCK | | 1 | | | | |
| 018 | 961014-3 | STOP RING E-8 | | 1 | | | | |
| 019 | 191953-5 | CARBON BRUSH CB-203 | | 1 | | | | |
| 020 | 643700-5 | BRUSH HOLDER CAP 7-18 | | 2 | | | | |
| 021 | 266032-9 | TAPPING SCREW BIND CT 5X30 | | 1 | | | | |

Model No.LC1230 METAL CUTTING SAW 305MM

| Item | Parts No. | Description | I/C | Qty | New/Old | Opt. 1 | Opt. 2 | Note |
|--------|-----------|---------------------------------|-----|-----|---------|--------|--------|------|
| 022 | 265995-6 | TAPPING SCREW 4X18 | | 4 | | | | |
| 023 | 182628-7 | HANDLE SET | | 1 | | | | |
| D10 | | INC. 33 | | | | | | |
| 024 | 411478-6 | SWITCH BUTTON | | 1 | | | | |
| 025 | 266033-7 | TAPPING SCREW BIND CT 5X50 | | 2 | | | | |
| 026A | 281207-9 | HANGER | | 1 | * | | | |
| 026-1A | 281216-8 | HANGER | O | 1 | | | | |
| 026-1B | 281216-8 | HANGER | | 1 | | | | |
| 027A | 256012-3 | PIN 6 | | 1 | * | | | |
| 027-1A | 268101-2 | PIN 6 | O | 1 | | | | |
| 027-1B | 268101-2 | PIN 6 | | 1 | | | | |
| 028A | 282010-1 | CHAIN | | 1 | * | | | |
| 028-1A | 282016-9 | CHAIN | < | 1 | * | | | |
| 028-1B | 282016-9 | CHAIN | | 1 | | | | |
| 028-2A | 281022-1 | CHAIN | < | 1 | | | | |
| 029 | 231397-8 | COMPRESSION SPRING 4 | | 1 | | | | |
| 030 | 651922-3 | SWITCH TG71B | | 1 | | | | |
| 031 | 415366-9 | SWITCH LOCK | | 1 | | | | |
| 032 | 152463-7 | SWITCH LEVER COMPLETE | | 1 | | | | |
| 033 | 182628-7 | HANDLE SET | | 1 | | | | |
| D10 | | INC. 23 | | | | | | |
| 034 | 265995-6 | TAPPING SCREW 4X18 | | 2 | | | | |
| 035A | 687052-4 | STRAIN RELIEF | | 1 | * | | | |
| 035-1A | 687124-5 | STRAIN RELIEF | O | 1 | | | | |
| 035-1B | 687124-5 | STRAIN RELIEF | | 1 | | | | |
| 036B_ | 682540-6 | CORD GUARD 9.3-90 | | 1 | | | | |
| 037C_ | 665865-3 | POWER SUPPLY CORD 1.0-2- 2.5 | | 1 | | | | |
| 038 | 211064-1 | BALL BEARING 6000 | | 1 | | | | |
| 039 | 226427-8 | HELICAL GEAR 38 | | 1 | | | | |
| 040 | 211061-7 | BALL BEARING 6000LLB | | 1 | | | | |
| 041A_A | 317226-0 | GEAR HOUSING R | | 1 | | | | |
| 041A_B | 317148-4 | GEAR HOUSING R | | 1 | | | | |
| 042 | 266034-5 | TAPPING SCREW CT 4X16 | | 2 | | | | |
| 043 | 416869-6 | PROTECTOR | | 1 | | | | |
| 044 | 231226-5 | COMPRESSION SPRING 11 | | 1 | | | | |
| 045 | 415474-6 | BLADE GUIDE | | 1 | | | | |
| 046 | 266030-3 | SCREW M6 | | 1 | | | | |
| 047 | 257139-2 | RING 20 | | 1 | | | | |
| 048 | 211329-1 | BALL BEARING 6204DDW | | 1 | | | | |
| 049 | 254229-2 | KEY 5 | | 1 | | | | |
| 050 | 323828-2 | SPINDLE | | 1 | | | | |

Model No.LC1230 METAL CUTTING SAW 305MM

| Item | Parts No. | Description | I/C | Qty | New/Old | Opt. 1 | Opt. 2 | Note |
|--------|-----------|---------------------------------|-----|-----|---------|--------|--------|------|
| 051 | 224308-0 | INNER FLANGE 69 | | 1 | | | | |
| 052A | 224309-8 | OUTER FLANGE 69 | | 1 | * | | | |
| 052-1A | 224379-7 | OUTER FLANGE 69 | < | 1 | | | | |
| 052-1B | 224379-7 | OUTER FLANGE 69 | | 1 | | | | |
| 053 | 265414-2 | HEX. FLANGE HEAD BOLT M10X20 | | 1 | | | | |
| 054A | 183089-4 | BLADE CASE SET | | 1 | | | | |
| D10 | | INC. 56 | | | | | | |
| 054B | 183L43-0 | BLADE CASE SET | | 1 | * | | | |
| D10 | | INC. 56 | | | * | | | |
| 054-1B | 183L43-0 | BLADE CASE SET | O | 1 | | | | |
| D10 | | INC. 56 | | | | | | |
| 055 | 256405-4 | PIN 6-7 | | 2 | | | | |
| 056 | 819064-1 | MAKITA MARK | | 1 | | | | |
| 057 | 344737-2 | CENTER COVER | | 1 | | | | |
| 058 | 266035-3 | TAPPING SCREW BIND CT 5X12 | | 2 | | | | |
| 059 | 911383-2 | PAN HEAD SCREW M6X60 | | 4 | | | | |
| 060 | 265414-2 | HEX. FLANGE HEAD BOLT M10X20 | | 1 | | | | |
| 061A | 265020-3 | + FLAT HEAD SCREW M6 | | 1 | * | | | |
| 061-1A | 265121-7 | + FLAT HEAD SCREW M6 | < | 1 | | | | |
| 061-1B | 265121-7 | + FLAT HEAD SCREW M6 | | 1 | | | | |
| 062 | 266034-5 | TAPPING SCREW CT 4X16 | | 2 | | | | |
| 063 | 344735-6 | CENTER SUPPORT | | 1 | | | | |
| 064 | 344734-8 | CENTER WASHER | | 1 | | | | |
| 065 | 344736-4 | CENTER PLATE | | 1 | | | | |
| 066 | 922107-1 | HEX. SOCKET HEAD BOLT M4X8 | | 2 | | | | |
| 067 | 231643-9 | TORSION SPRING 38 | | 1 | | | | |
| 068 | 317152-3 | SAFETY COVER | | 1 | | | | |
| 069 | 256098-7 | PIN 5 | | 1 | | | | |
| 070 | 323882-6 | COLLARED SHAFT 12 | | 1 | | | | |
| 071 | 253843-1 | FLAT WASHER 12 | | 1 | | | | |
| 072 | 911103-4 | PAN HEAD SCREW M4X6 | | 1 | | | | |
| 073 | 816128-2 | POINTER | | 1 | | | | |
| 074 | 310086-9 | WISE | | 1 | | | | |
| 075 | 256453-3 | PIN 12 | | 1 | | | | |
| 076 | 233103-7 | COMPRESSION SPRING 45 | | 1 | | | | |
| 077 | 165066-8 | SPRING HOLDER | | 1 | | | | |
| 078 | 265412-6 | HEX. BOLT M8X20 | | 1 | | | | |
| 079 | 266034-5 | TAPPING SCREW CT 4X16 | | 1 | | | | |
| 080 | 232075-3 | LEAF SPRING | | 1 | | | | |
| 081 | 265413-4 | HEX. BOLT M16 | | 1 | | | | |

Model No.LC1230 METAL CUTTING SAW 305MM

| Item | Parts No. | Description | I/C | Qty | New/Old | Opt. 1 | Opt. 2 | Note |
|--------|-----------|---------------------------------|-----|-----|---------|--------|--------|------|
| 082 | 253771-0 | FLAT WASHER 16 | | 1 | | | | |
| 083 | 252044-8 | HEX. NUT M16-24 | | 1 | | | | |
| 084 | 344740-3 | DUST BOX | | 1 | | | | |
| 085 | 421671-4 | RUBBER PAD | | 1 | | | | |
| 086A | 421670-6 | CUSHION | | 1 | | | | |
| 086B | 422347-6 | CUSHION | | 1 | | | | |
| 087 | 257222-5 | RING 8 | | 1 | | | | |
| 088 | 253731-2 | FLAT WASHER 8 | | 2 | | | | |
| 089 | 268040-6 | PIN 16 | | 1 | | | | |
| 090 | 344118-0 | VICE PLATE | | 1 | | | | |
| 091A | 344738-0 | LINK PLATE | | 1 | * | | | |
| 091-1A | 346633-0 | LINK PLATE | S | 1 | | | | |
| 091-1B | 346633-0 | LINK PLATE | | 1 | | | | |
| 092A | 253139-0 | FLAT WASHER 8 | | 2 | * | | | |
| 092-1A | 267236-6 | FLAT WASHER 8 | S | 2 | | | | |
| 092-1B | 267236-6 | FLAT WASHER 8 | | 2 | | | | |
| 093A | 251331-2 | + PAN HEAD SCREW M6 | | 2 | * | | | |
| 093-1A | 265089-7 | + PAN HEAD SCREW M6 | S | 2 | | | | |
| 093-1B | 265089-7 | + PAN HEAD SCREW M6 | | 2 | | | | |
| 094 | 912212-2 | COUNTERSUNK HEAD SCREW M5X12 | | 3 | | | | |
| 095 | 344119-8 | GUIDE PLATE | | 1 | | | | |
| 096 | 344739-8 | UNDER PLATE | | 1 | | | | |
| 097 | 266026-4 | TAPPING SCREW BIND CT 4X12 | | 3 | | | | |
| 098 | 286212-1 | CAP 20 | | 5 | | | | |
| 099A_A | 151624-6 | BASE COMPLETE | | 1 | * | | | |
| 099A_B | 154764-9 | BASE COMPLETE | | 1 | * | | | |
| C10 | 810965-6 | CAUTION LABEL | | 1 | * | | | |
| 099A1A | 151624-6 | BASE COMPLETE | O | 1 | | | | |
| 099A1B | 140M08-1 | BASE COMPLETE | < | 1 | | | | |
| C20 | 813L22-1 | CAUTION LABEL | | 2 | | | | |
| C10 | 810965-6 | CAUTION LABEL | | 1 | | | | |
| 100 | 286236-7 | CAP 16 | | 1 | | | | |
| 101 | 961014-3 | STOP RING E-8 | | 2 | | | | |
| 102 | 323883-4 | LEVER ROD 10 | | 1 | | | | |
| 103 | 253024-7 | FLAT WASHER 10 | | 1 | | | | |
| 104 | 252161-4 | HEX. NUT M10-17 | | 1 | | | | |
| 105 | 151622-0 | LEVER HOLDER COMPLETE | | 1 | | | | |
| 106 | 941152-7 | FLAT WASHER 6 | | 1 | | | | |
| 107-1 | 265381-1 | HEX. BOLT M6X16 | | 1 | | | | |
| 108 | 951063-8 | SPRING PIN 3-16 | | 1 | | | | |
| 109 | 322679-0 | VICE SCREW | | 1 | | | | |

Model No.LC1230 METAL CUTTING SAW 305MM

| Item | Parts No. | Description | I/C | Qty | New/Old | Opt. 1 | Opt. 2 | Note |
|--------|-----------|---------------------------------|-----|-----|---------|--------|--------|------|
| 110 | 322209-7 | VICE NUT | | 1 | | | | |
| 111 | 911451-1 | PAN HEAD SCREW M8X30 | | 2 | | | | |
| 112 | 311949-2 | SCREW GUIDE | | 1 | | | | |
| 113A | 271062-7 | HANDLE 100 | | 1 | * | | | |
| 113-1A | 271072-4 | HANDLE 100 | O | 1 | | | | |
| 113-1B | 271072-4 | HANDLE 100 | | 1 | | | | |
| 114 | 951166-8 | SPRING PIN 5-24 | | 1 | | | | |
| 115 | 257157-0 | RING 8 | | 1 | | | | |
| A01 | 782210-8 | SOCKET WRENCH 17 | | 1 | | | | |
| A02 | 192219-6 | SAFETY GOGGLE | | 1 | * | | | |
| A03B_ | A-86723 | T.C.T.SAW BLADE 305X60TX25.4 | | 1 | | | | |
| A04 | 411478-6 | SWITCH BUTTON | | 2 | | | | |
| E01 | 645200-1 | NOISE SUPPRESSOR | | 1 | | | | |
| E05A | 151642-4 | ROD 12 COMPLETE | | 1 | | | | |
| E06A | 233197-2 | COMPRESSION SPRING 7 | | 1 | | | | |
| E07A | 257078-6 | RING 6 | | 1 | | | | |
| E08A | 265381-1 | HEX. BOLT M6X16 | | 1 | | | | |
| E09A | 267133-6 | FLAT WASHER 6 | | 1 | | | | |
| E10A | 323885-0 | LOCK PIN 12 | | 1 | | | | |
| E11A | 344742-9 | LOCK PLATE | | 1 | | | | |
| E12A | 344743-7 | LOCK LEVER | | 1 | | | | |
| E13A | 344744-5 | STOPPER PLATE | | 1 | * | | | |
| E13-1A | 344744-5 | STOPPER PLATE | X | 1 | * | | | |
| E13-2A | 346632-2 | STOPPER PLATE | S | 1 | | | | |
| E14A | 911118-1 | PAN HEAD SCREW M4X12 | | 2 | | | | |
| E15A | 922331-6 | HEX. SOCKET HEAD BOLT M6X20 | | 2 | | | | |
| E16A | 961014-3 | STOP RING E-8 | | 1 | | | | |
| E17A | 322049-3 | HOOK | | 1 | * | | | |

Please order the parts with part number.

Print Date 31/3/2020