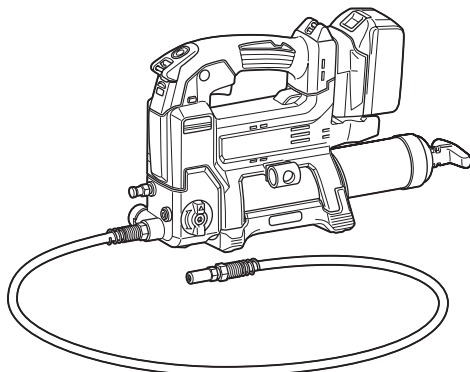
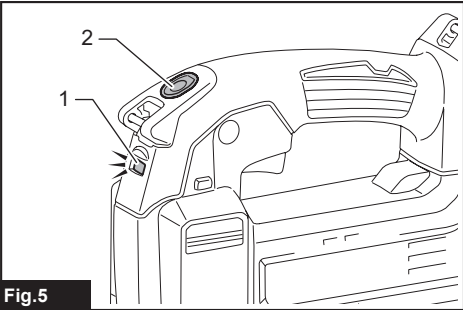
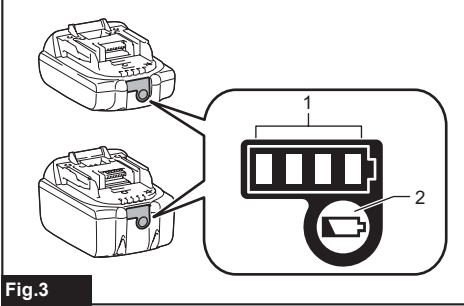
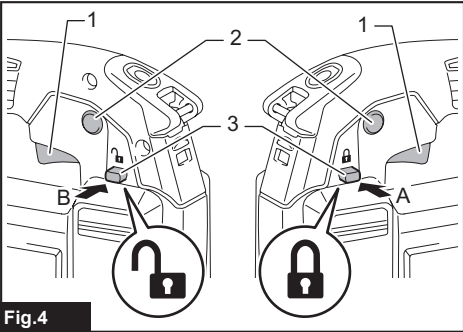
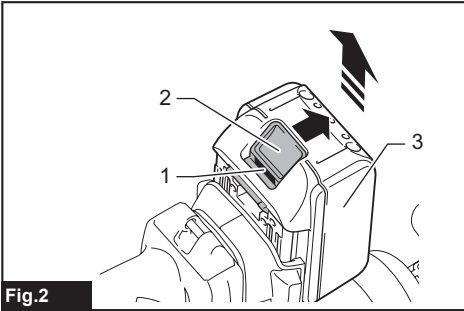
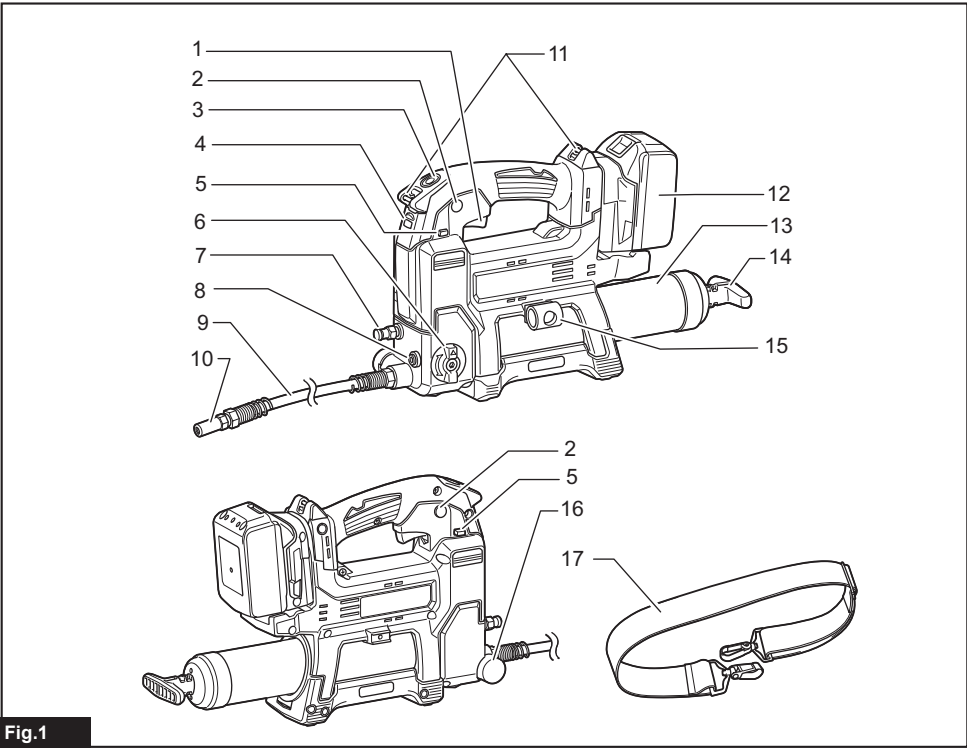




EN	Cordless Grease Gun	INSTRUCTION MANUAL	8
FR	Pompe à Graisse Sans fil	MANUEL D'INSTRUCTIONS	17
DE	Akku-Fettpresse	BETRIEBSANLEITUNG	26
IT	Ingrassatore a batteria	ISTRUZIONI PER L'USO	36
NL	Accuvetspuit	GEBRUIKSAANWIJZING	46
ES	Pistola Engrasadora Inalámbrica	MANUAL DE INSTRUCCIONES	56
PT	Aplicador de Graxa a Bateria	MANUAL DE INSTRUÇÕES	66
DA	Akku fedtpistol	BRUGSANVISNING	76
EL	Φορητός γρασαδόρος	ΕΓΧΕΙΡΙΔΙΟ ΟΔΗΓΙΩΝ	85
TR	Akülü Gres Tabancası	KULLANMA KILAVUZU	95

DGP180





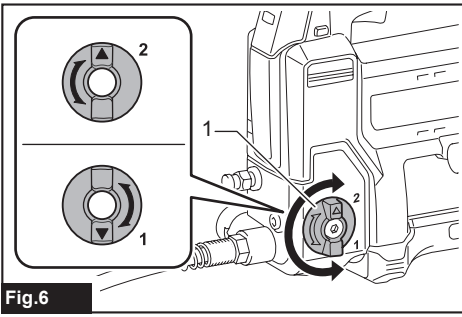


Fig.6

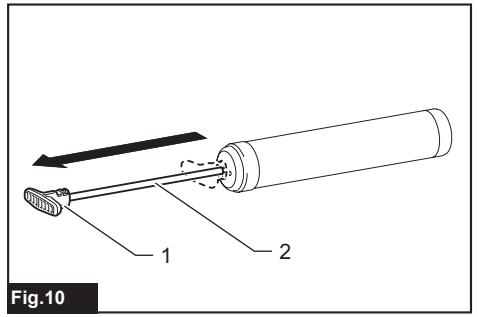


Fig.10

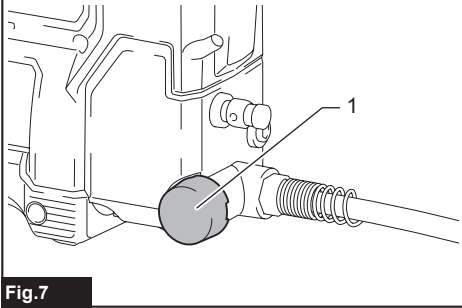


Fig.7

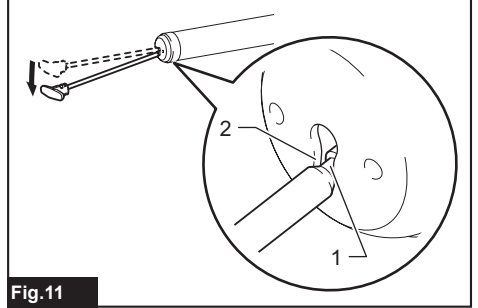


Fig.11

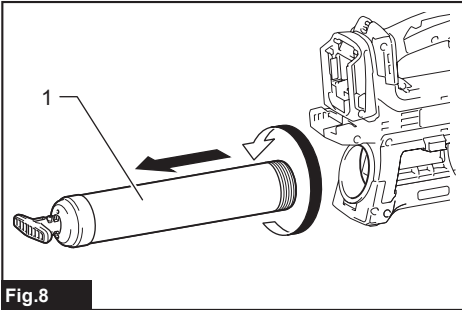


Fig.8

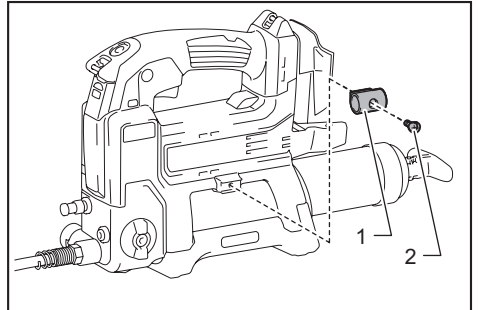


Fig.12

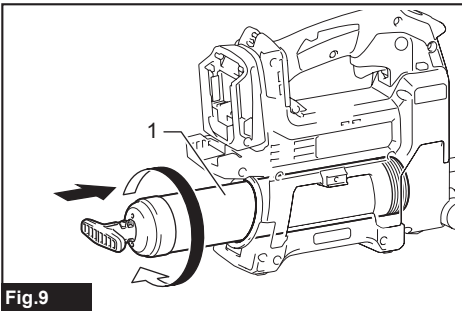
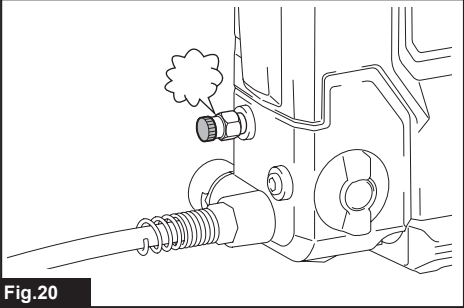
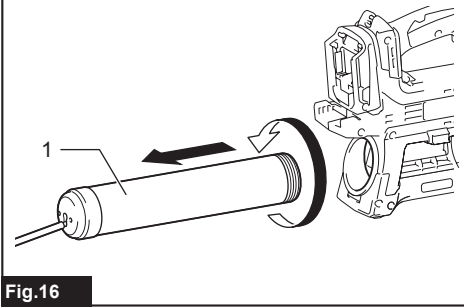
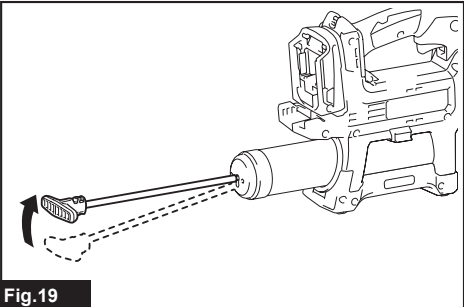
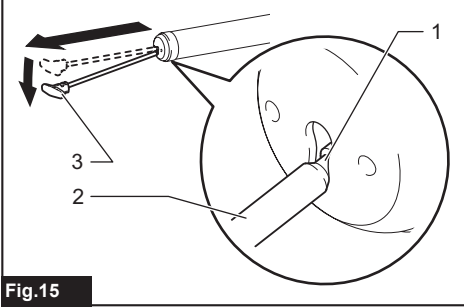
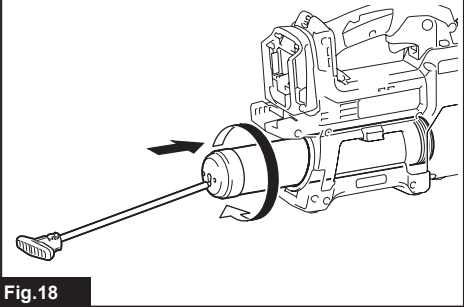
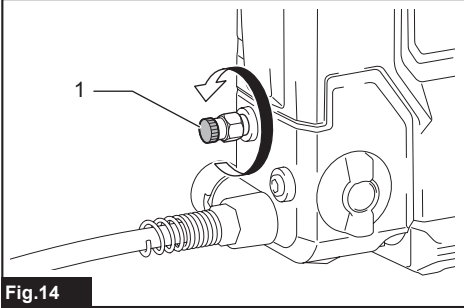
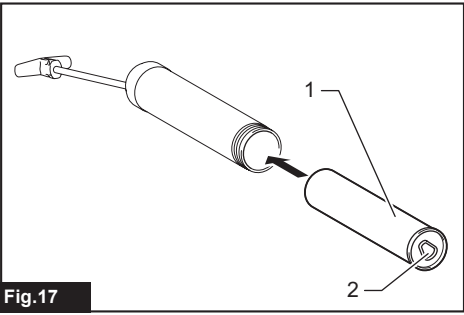
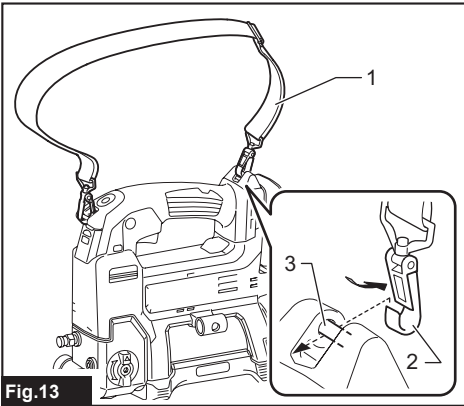


Fig.9



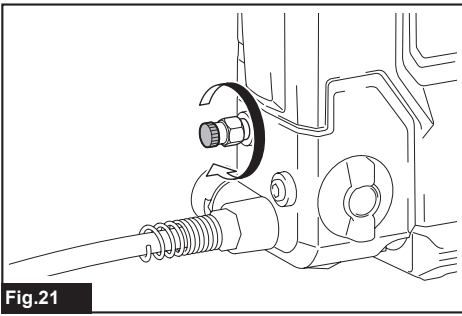


Fig.21

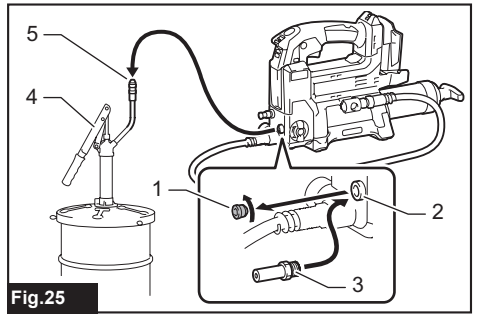


Fig.25

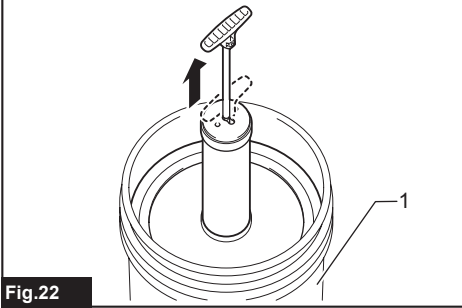


Fig.22

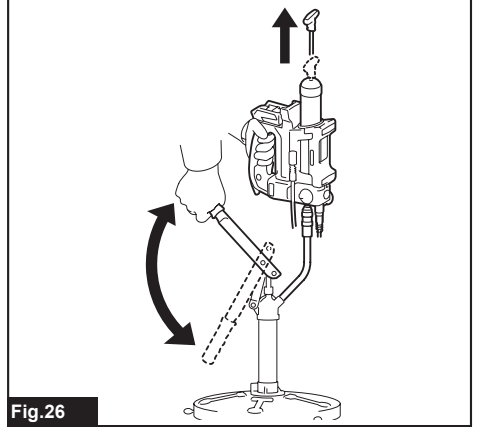


Fig.26

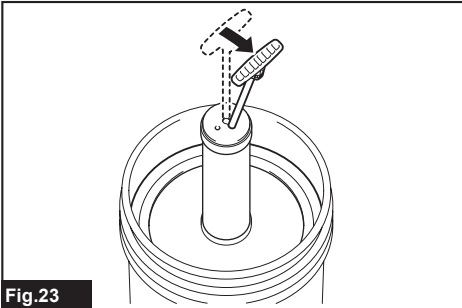


Fig.23

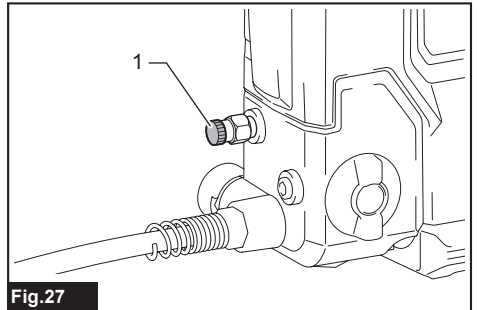


Fig.27

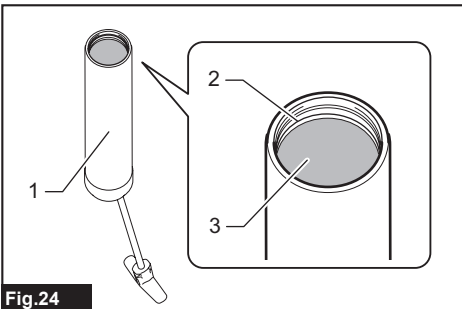


Fig.24

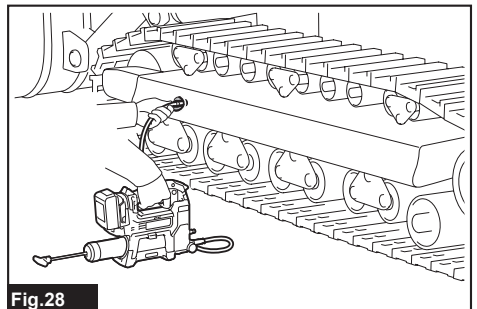


Fig.28

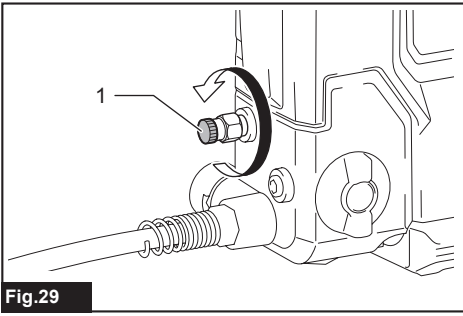


Fig.29

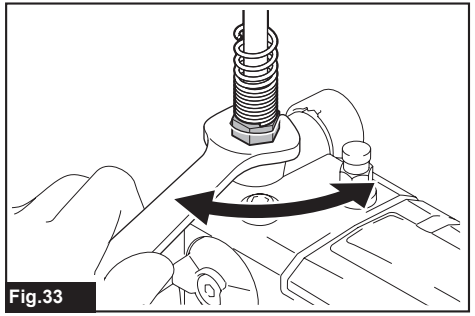


Fig.33

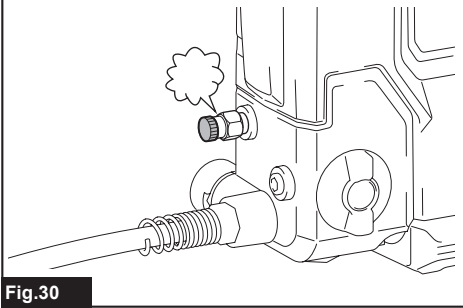


Fig.30

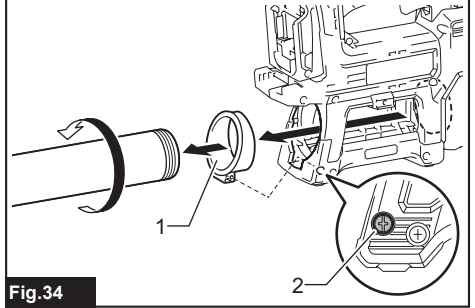


Fig.34

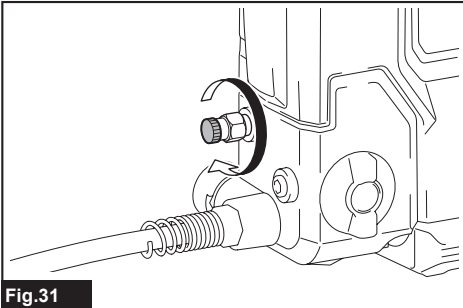


Fig.31

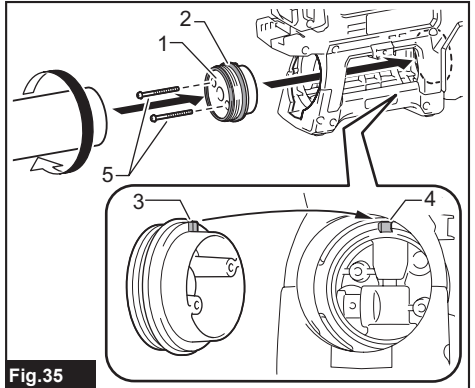


Fig.35

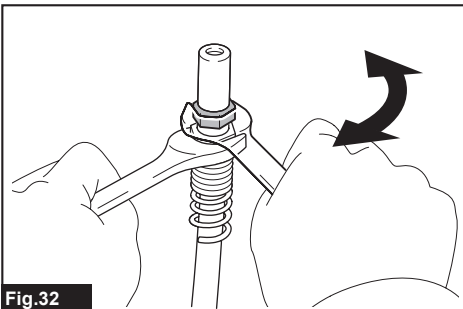


Fig.32

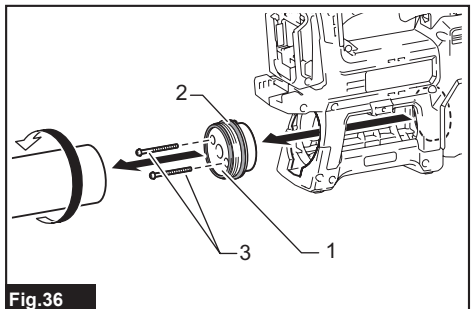
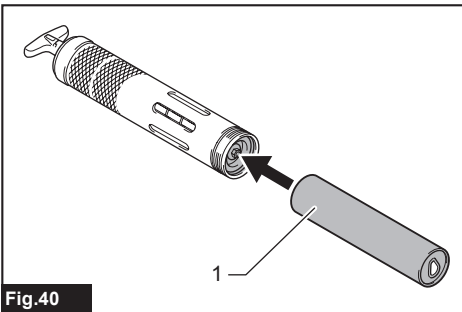
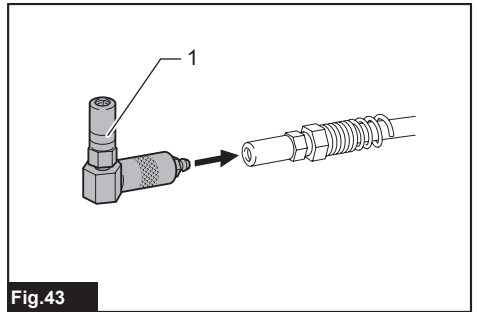
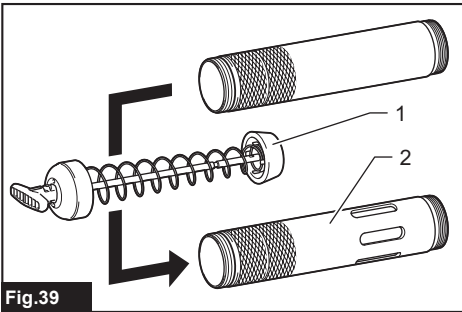
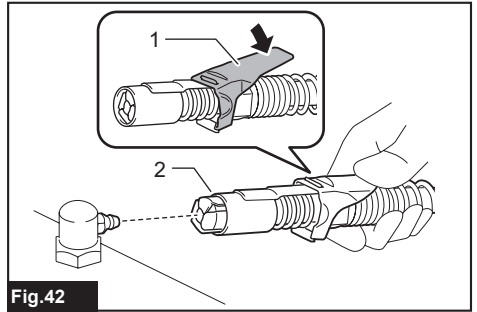
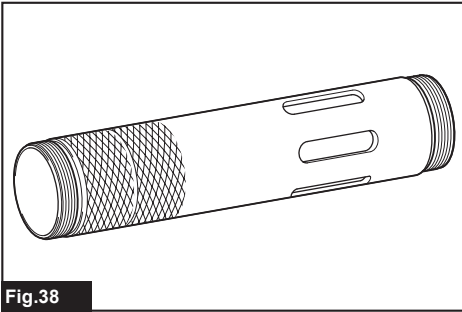
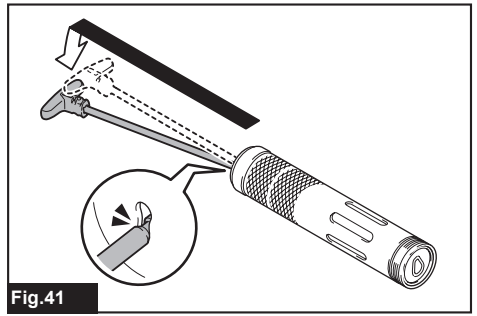
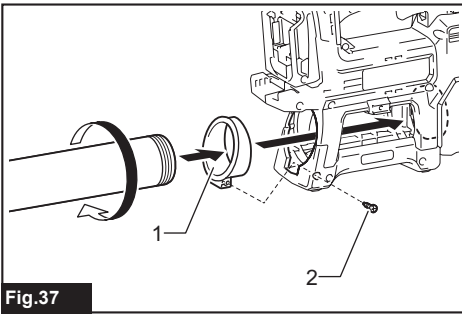


Fig.36



SPECIFICATIONS

Model:		DGP180
Rated voltage		D.C. 18 V
Grease capacity (with A-type barrel)	Cartridge	410 g
	Bulk	455 g
Grease capacity (with B-type barrel)	Cartridge	450 g
	Bulk	570 g
Maximum operating pressure		69 MPa
Maximum flow rate	Slow speed mode	145 ml/min
	Auto speed mode	290 ml/min
Applicable grease type		NLGI No.0 - No.2
Hose length		1,200 mm
Overall length	With A-type barrel	411 mm
	With B-type barrel	449 mm
Net weight		4.8 - 6.1 kg

NOTE: The barrel type (A-type or B-type) varies depending on the country.

- Due to our continuing program of research and development, the specifications herein are subject to change without notice.
- Specifications and battery cartridge may differ from country to country.
- The weight may differ depending on the attachment(s), including the battery cartridge. The lightest and heaviest combinations, according to EPTA-Procedure 01/2014, are shown in the table.

Applicable battery cartridge and charger

Battery cartridge	BL1815N / BL1820B / BL1830B / BL1840B / BL1850B / BL1860B
Charger	DC18RC / DC18RD / DC18RE / DC18SD / DC18SE / DC18SF / DC18SH

- Some of the battery cartridges and chargers listed above may not be available depending on your region of residence.

⚠WARNING: Only use the battery cartridges and chargers listed above. Use of any other battery cartridges and chargers may cause injury and/or fire.

Intended use

This tool is intended for dispensing grease.

Noise

The typical A-weighted noise level determined according to EN62841-1:

Sound pressure level (L_{pA}) : 76 dB(A)

Uncertainty (K) : 3 dB(A)

NOTE: The declared noise emission value(s) has been measured in accordance with a standard test method and may be used for comparing one tool with another.

NOTE: The declared noise emission value(s) may also be used in a preliminary assessment of exposure.

⚠WARNING: Wear ear protection.

⚠WARNING: The noise emission during actual use of the power tool can differ from the declared value(s) depending on the ways in which the tool is used especially what kind of workpiece is processed.

⚠WARNING: Be sure to identify safety measures to protect the operator that are based on an estimation of exposure in the actual conditions of use (taking account of all parts of the operating cycle such as the times when the tool is switched off and when it is running idle in addition to the trigger time).

Vibration

The vibration total value (tri-axial vector sum) determined according to EN62841-1:

Vibration emission (a_v): 2.5 m/s² or less

Uncertainty (K): 1.5 m/s²

NOTE: The declared vibration total value(s) has been measured in accordance with a standard test method and may be used for comparing one tool with another.

NOTE: The declared vibration total value(s) may also be used in a preliminary assessment of exposure.

⚠ WARNING: The vibration emission during actual use of the power tool can differ from the declared value(s) depending on the ways in which the tool is used especially what kind of workpiece is processed.

⚠ WARNING: Be sure to identify safety measures to protect the operator that are based on an estimation of exposure in the actual conditions of use (taking account of all parts of the operating cycle such as the times when the tool is switched off and when it is running idle in addition to the trigger time).

EC Declaration of Conformity

For European countries only

The EC declaration of conformity is included as Annex A to this instruction manual.

SAFETY WARNINGS

General power tool safety warnings

⚠ WARNING: Read all safety warnings, instructions, illustrations and specifications provided with this power tool. Failure to follow all instructions listed below may result in electric shock, fire and/or serious injury.

Save all warnings and instructions for future reference.

The term "power tool" in the warnings refers to your mains-operated (corded) power tool or battery-operated (cordless) power tool.

Cordless grease gun safety warnings

1. **Hold the tool firmly.**
2. **Do not operate the tool near flame.** The grease may be flammable.
3. **Use only grease that meets the specifications stated in this instruction manual.** Installing a different type of grease or any materials other than grease may cause failure.
4. **Do not install any materials other than grease, such as oil.** It may spout out of the tool and get into eyes.
5. **Do not carry the tool by the flexible hose or the rod handle.**

6. **Wear goggles when using the tool.**
7. **Check the flexible hose before each use. Do not use the hose if it is kinked or damaged.** The hose may be ruptured by high pressure and the grease gets into eyes.
8. **Make sure the rod is secured firmly.** The rod may move accidentally and cause a pinching.
9. **Read and follow the instructions of grease manufacture before usage.**
10. **Keep hands and clothes away from the rod of the rod handle.** Otherwise your finger or clothes may be pinched.
11. **Wipe off grease adhering on the tool.** Otherwise it may cause slipping and result in an injury.
12. **Do not bend the flexible hose forcibly or stamp it.** Doing so may cause a breakage or deformation of the hose.
13. **Do not point the adapter at anyone in the vicinity.**
14. **Use the flexible hose only specified by Makita.** Use of any other hose might present a risk of injury.

SAVE THESE INSTRUCTIONS.

Important safety instructions for battery cartridge

1. **Before using battery cartridge, read all instructions and cautionary markings on (1) battery charger, (2) battery, and (3) product using battery.**
2. **Do not disassemble or tamper with the battery cartridge.** It may result in a fire, excessive heat, or explosion.
3. **If operating time has become excessively shorter, stop operating immediately.** It may result in a risk of overheating, possible burns and even an explosion.
4. **If electrolyte gets into your eyes, rinse them out with clear water and seek medical attention right away.** It may result in loss of your eyesight.
5. **Do not short the battery cartridge:**
 - (1) **Do not touch the terminals with any conductive material.**
 - (2) **Avoid storing battery cartridge in a container with other metal objects such as nails, coins, etc.**
 - (3) **Do not expose battery cartridge to water or rain.**

A battery short can cause a large current flow, overheating, possible burns and even a breakdown.
6. **Do not store and use the tool and battery cartridge in locations where the temperature may reach or exceed 50 °C (122 °F).**
7. **Do not incinerate the battery cartridge even if it is severely damaged or is completely worn out.** The battery cartridge can explode in a fire.
8. **Do not nail, cut, crush, throw, drop the battery cartridge, or hit against a hard object to the battery cartridge.** Such conduct may result in a fire, excessive heat, or explosion.

9. **Do not use a damaged battery.**
10. **The contained lithium-ion batteries are subject to the Dangerous Goods Legislation requirements.**
For commercial transports e.g. by third parties, forwarding agents, special requirement on packaging and labeling must be observed.
For preparation of the item being shipped, consulting an expert for hazardous material is required. Please also observe possibly more detailed national regulations.
Tape or mask off open contacts and pack up the battery in such a manner that it cannot move around in the packaging.
11. **When disposing the battery cartridge, remove it from the tool and dispose of it in a safe place. Follow your local regulations relating to disposal of battery.**
12. **Use the batteries only with the products specified by Makita.** Installing the batteries to non-compliant products may result in a fire, excessive heat, explosion, or leak of electrolyte.
13. **If the tool is not used for a long period of time, the battery must be removed from the tool.**
14. **During and after use, the battery cartridge may take on heat which can cause burns or low temperature burns. Pay attention to the handling of hot battery cartridges.**
15. **Do not touch the terminal of the tool immediately after use as it may get hot enough to cause burns.**
16. **Do not allow chips, dust, or soil stuck into the terminals, holes, and grooves of the battery cartridge.** It may cause heating, catching fire, burst and malfunction of the tool or battery cartridge, resulting in burns or personal injury.
17. **Unless the tool supports the use near high-voltage electrical power lines, do not use the battery cartridge near high-voltage electrical power lines.** It may result in a malfunction or breakdown of the tool or battery cartridge.
18. **Keep the battery away from children.**

SAVE THESE INSTRUCTIONS.

⚠ CAUTION: Only use genuine Makita batteries. Use of non-genuine Makita batteries, or batteries that have been altered, may result in the battery bursting causing fires, personal injury and damage. It will also void the Makita warranty for the Makita tool and charger.

Tips for maintaining maximum battery life

1. **Charge the battery cartridge before completely discharged. Always stop tool operation and charge the battery cartridge when you notice less tool power.**
2. **Never recharge a fully charged battery cartridge. Overcharging shortens the battery service life.**
3. **Charge the battery cartridge with room temperature at 10 °C - 40 °C (50 °F - 104 °F). Let a hot battery cartridge cool down before charging it.**
4. **When not using the battery cartridge, remove it from the tool or the charger.**
5. **Charge the battery cartridge if you do not use it for a long period (more than six months).**

PARTS DESCRIPTION

► Fig.1

1	Switch trigger	2	Lock button	3	Lamp switch
4	Lamp	5	Trigger-lock button	6	Speed mode changing knob
7	Air drain	8	Filler port plug	9	Flexible hose
10	Adapter	11	Strap hole	12	Battery cartridge
13	Barrel	14	Rod handle	15	Hose holder
16	Pressure relief valve	17	Shoulder strap	-	-

FUNCTIONAL DESCRIPTION

CAUTION: Always be sure that the tool is switched off and the battery cartridge is removed before adjusting or checking function on the tool.

Installing or removing battery cartridge

CAUTION: Always switch off the tool before installing or removing of the battery cartridge.

CAUTION: Hold the tool and the battery cartridge firmly when installing or removing battery cartridge. Failure to hold the tool and the battery cartridge firmly may cause them to slip off your hands and result in damage to the tool and battery cartridge and a personal injury.

► **Fig.2:** 1. Red indicator 2. Button 3. Battery cartridge

To remove the battery cartridge, slide it from the tool while sliding the button on the front of the cartridge.

To install the battery cartridge, align the tongue on the battery cartridge with the groove in the housing and slip it into place. Insert it all the way until it locks in place with a little click. If you can see the red indicator as shown in the figure, it is not locked completely.

CAUTION: Always install the battery cartridge fully until the red indicator cannot be seen. If not, it may accidentally fall out of the tool, causing injury to you or someone around you.

CAUTION: Do not install the battery cartridge forcibly. If the cartridge does not slide in easily, it is not being inserted correctly.

Tool / battery protection system

The tool is equipped with a tool/battery protection system. This system automatically cuts off power to the motor to extend tool and battery life. The tool will automatically stop during operation if the tool or battery is placed under one of the following conditions:

Overload protection

When the tool/battery is operated in a manner that causes it to draw an abnormally high current, the tool automatically stops without any indication. In this situation, turn the tool off and stop the application that caused the tool to become overloaded. Then turn the tool on to restart.

Overheat protection

When the tool or battery is overheated, the tool stops automatically and the lamp blinks. In this case, let the tool and battery cool before turning the tool on again.

Overdischarge protection

When the battery capacity is not enough, the tool stops automatically. In this case, remove the battery from the tool and charge the battery.

NOTE: The protection system may become more likely to work depending on the ambient temperature or the type and condition of grease.

Protections against other causes

Protection system is also designed for other causes that could damage the tool and allows the tool to stop automatically. Take all the following steps to clear the causes, when the tool has been brought to a temporary halt or stop in operation.

1. Turn the tool off, and then turn it on again to restart.
2. Charge the battery(ies) or replace it/them with recharged battery(ies).
3. Let the tool and battery(ies) cool down.


















If no improvement can be found by restoring protection system, then contact your local Makita Service Center.

Indicating the remaining battery capacity

Only for battery cartridges with the indicator

► **Fig.3:** 1. Indicator lamps 2. Check button

Press the check button on the battery cartridge to indicate the remaining battery capacity. The indicator lamps light up for a few seconds.

Indicator lamps			Remaining capacity
 Lighted	 Off	 Blinking	
			75% to 100%
			50% to 75%
			25% to 50%
			0% to 25%
			Charge the battery.
			The battery may have malfunctioned.
			

NOTE: Depending on the conditions of use and the ambient temperature, the indication may differ slightly from the actual capacity.

NOTE: The first (far left) indicator lamp will blink when the battery protection system works.

Switch action

CAUTION: Before installing the battery cartridge into the tool, always check to see that the switch trigger actuates properly and returns to the "OFF" position when released.

CAUTION: When not operating the tool, depress the trigger-lock button from "A" side to lock the switch trigger in the OFF position.

To prevent the switch trigger from accidentally pulled, the trigger-lock button is provided.

To start the tool, depress the trigger-lock button from "B" side and pull the switch trigger.

Tool speed is increased by increasing pressure on the switch trigger. Release the switch trigger to stop. After use, always press in the trigger-lock button from "A" side. For continuous operation, pull the switch trigger and then push in the lock button. To stop the tool from the locked position, pull the switch trigger fully to unlock.

► Fig.4: 1. Switch trigger 2. Lock button 3. Trigger-lock button

Lighting up the front lamp

CAUTION: Do not look in the light or see the source of light directly.

Press the lamp switch to light up the lamp. Press the lamp switch again to turn off the lamp. When the tool is left without any operation for about 60 seconds with the motor stopped, the lamp goes out.

► Fig.5: 1. Lamp 2. Lamp switch

NOTICE: Use a dry cloth to wipe the dirt off the lens of the lamp. Be careful not to scratch the lens of lamp, or it may lower the illumination.

Selecting the speed mode

NOTICE: Change the speed mode only after the tool comes to a complete stop.

The tool employs the speed mode changing knob. Turn the knob so that the arrow on the knob points toward one of the two modes below;

1	Slow speed mode: Dispense grease at constant slow speed.
2	Auto speed mode: Apply grease while varying the flow rate automatically according to pressure of supply destination.

► Fig.6: 1. Speed mode changing knob

Pressure relief valve

When the internal pressure in the tool exceeds a certain level, grease comes out from the pressure relief valve to lower the internal pressure.

► Fig.7: 1. Pressure relief valve

CAUTION: Do not remove or make any adjustment to the pressure relief valve.

CAUTION: Do not remove the cover of pressure relief valve. Otherwise grease may spout out of the pressure relief valve and get into eyes.

ASSEMBLY

CAUTION: Always be sure that the tool is switched off and the battery cartridge is removed before carrying out any work on the tool.

Removing or installing barrel

To remove the barrel, screw it as illustrated.

► Fig.8: 1. Barrel

To install the barrel, insert it into the tool then screw in reverse.

► Fig.9: 1. Barrel

Rod handle

NOTICE: Do not pull the rod handle with valve for air drain fastened while the barrel installed in the tool. Make sure the valve for air drain is loosened. Failure to do so may cause malfunction.

Pull the rod handle when installing grease in the barrel.

► Fig.10: 1. Rod handle 2. Rod

To lock the rod handle fully pulled, pull the rod handle until the groove on the rod can be seen, and then hook the groove onto the slot. To unlock the rod handle, unhook the groove so the rod moves forward.

► Fig.11: 1. Groove 2. Slot

CAUTION: Make sure the rod handle is locked firmly. Otherwise it may be unlocked accidentally and cause a pinching.

Hose holder

The hose holder can be attached to either side of the tool with the screw.

► Fig.12: 1. Hose holder 2. Screw

Shoulder strap

WARNING: Never use the strap hole for lanyard (tether strap). Doing so may result in serious injury because the strap hole is not intended for a safety device for fall prevention.

WARNING: When carrying the tool, keep holding the tool even if when using the shoulder strap. Carrying the tool using only the shoulder strap makes it unstable. The shoulder strap may come off or the tool hit other objects and cause injury.

Attach the hooks of the shoulder strap onto the mounts of the strap holes as shown in the figure.

► Fig.13: 1. Shoulder strap 2. Hook 3. Mount

OPERATION

Grease supply

⚠ WARNING: Make sure to read the instruction manuals of the grease and/or other instruments and replace the following contents as necessary. Misuse or failure to follow the instructions may damage the tool or cause an injury.

NOTICE: When using the barrel with the old grease remains, remove the barrel and purge the old grease according to the section for purge of grease.

There are following ways to provide grease:

Installing grease cartridge (commercially-bought) in the barrel

NOTICE: (For A-type barrel only)

Use the grease cartridge whose brim can be hooked on the end surface of the barrel.

NOTICE: (For B-type/C-type barrel only)

Use the grease cartridge whose brim can be hooked on the inside step of the barrel.

1. Loosen the valve for air drain.
▶ Fig.14: 1. Valve
2. Fully pull the rod handle and lock it.
▶ Fig.15: 1. Groove 2. Rod 3. Rod handle
3. Remove the barrel from the tool.
▶ Fig.16: 1. Barrel
4. Remove the plastic cap of the grease cartridge and insert the grease cartridge into the barrel.
▶ Fig.17: 1. Grease cartridge (commercially-bought) 2. Pull tab

5. Remove the pull tab of the grease cartridge then install the barrel to the tool.

If there is a gap between the brim of the grease cartridge and the barrel, screw the barrel into the tool while pushing the barrel forward.

▶ Fig.18

6. Release the rod handle.

▶ Fig.19

7. Eject the air that remains in the flow path of the grease.

▶ Fig.20

8. Fasten the valve for air drain when you see the grease coming out of the hole.

▶ Fig.21

NOTE: If the tool cannot pour grease accurately, air may remain in the flow path of the grease. Loosen the valve for air drain and eject the air. (Refer to the section for ejection of air.)

Filling grease in the barrel from a bulk container (commercially-bought)

1. Loosen the valve for air drain.
2. Fully pull the rod handle and lock it.
3. Remove the barrel from the tool.

Unlock the rod handle and move the rod forward gently.

4. Dip the tip of the barrel in the grease and then pull the rod handle. The grease is pumped up into the barrel.

▶ Fig.22: 1. Bulk container (commercially-bought)

5. Fully pull the rod handle and lock it.

▶ Fig.23

6. Install the barrel to the tool and then unlock the rod handle.

7. Eject the air that remains in the flow path of the grease.

8. Fasten the valve for air drain when you see the grease coming out of the hole.

NOTICE: When locking the rod handle, make sure the rod handle is locked firmly. Otherwise the rod handle get unlocked unintentionally, the grease comes out from the barrel.

NOTE: (For B-type/C-type barrel only)

The amount of grease filling should be below the screw groove line. Otherwise grease will overflow when installing the barrel to the tool.

- ▶ Fig.24: 1. Barrel (B-type/C-type) 2. Screw groove 3. Grease

NOTE: If the tool cannot pour grease accurately, air may remain in the flow path of the grease. Loosen the valve for air drain and eject the air. (Refer to the section for ejection of air.)

You can also fill grease into the barrel using a filler pump (commercially-bought) attached to the bulk container.

1. Remove the barrel from the tool.
2. Wrap thread seal tape around the thread part of the loader fitting (commercially-bought).
3. Remove the filler port plug. Attach a loader fitting to the filler port.
4. Install the barrel to the tool. (The rod handle is unlocked.)
5. Make sure that the valve for air drain is fastened. Connect the loader fitting to the fitting of the filler pump.
▶ Fig.25: 1. Filler port plug 2. Filler port 3. Loader fitting (commercially-bought) 4. Filler pump (commercially-bought) 5. Fitting

6. Operate the filler pump. The rod of the rod handle will be pushed out as the barrel is filled with grease.

▶ Fig.26

7. Disconnect the loader fitting from the fitting of the filler pump.

8. Eject the air that remains in the flow path of the grease.

9. Fasten the valve for air drain when you see the grease coming out of the hole.

⚠ WARNING: Use a low-pressure loader fitting only. Never use a high-pressure loader fitting otherwise it may damage the tool and cause a personal injury.

⚠ CAUTION: Hold the tool firmly when filling the grease by using a filler pump. The tool may fall and cause an injury.

NOTICE: Stop filling the grease when you see the groove on the rod. Otherwise the grease leakage may occur.

NOTE: If the tool cannot pour grease accurately, air may remain in the flow path of the grease. Loosen the valve for air drain and eject the air. (Refer to the section for ejection of air.)

Ejection of air

If air remains in the flow path of the grease, the tool cannot pour grease accurately. Eject the air before each use and also when the tool seems to work improperly due to air.

1. To eject air from inside of the tool, loosen the valve for air drain. Air comes out from the hole for air drain.
2. Fasten the valve when you see the grease coming out of the hole.
▶ Fig.27: 1. Valve

⚠ WARNING: Wear the protective goggles when ejecting the air.

⚠ CAUTION: Wipe off the grease that comes out from the air drain with a dry cloth or the like. Otherwise it may cause slipping and result in an injury.

Dispensing the grease

In the following cases, purge the old grease inside the tool before use;

- When using the tool for the first time or;
- When using different type of the grease from previous use.

With the new grease filled in the barrel, run the tool for a while until the old grease is pushed out from the adapter.

NOTICE: Do not connect the adapter to the grease nipple until the old grease is purged. If different kinds of grease are mixed, the performance of the grease may decline.

NOTE: The tool has been tested at the factory and small amount of the grease remains.

Perform the following procedure to dispense the grease.

⚠ CAUTION: Always check the speed mode before operation.

NOTICE: Before connecting the adapter to the grease nipple, always make sure that the tool dispenses grease properly.

NOTICE: Do not connect the adapter to the grease nipple forcibly.

1. Wipe the adapter and the grease nipple before connecting. Push the adapter straight at the grease nipple.

2. Pull the switch trigger to dispense the grease.
▶ Fig.28

3. When dispensing the grease is finished, remove the adapter from the grease nipple. Tilt the adapter slightly to release internal pressure and then remove the adapter from the grease nipple.

Wipe off the grease from the adapter and the grease nipple.

NOTICE: Do not leave the tool running even after the grease depleted. It may shorten the life of the tool.

NOTE: If the tool cannot pour grease accurately, air may remain in the flow path of the grease. Loosen the valve for air drain and eject the air. (Refer to the section for ejection of air.)

NOTE: If the internal pressure rises while the switch trigger is not fully pulled, the protection system works and the motor will stop even though the tool does not reach the maximum operating pressure. When injecting the grease at high pressure, pull the switch trigger fully.

NOTE: The tool stops automatically when the tool keep running for more than 6 minutes.

In the case that the tool does not pour grease accurately

If the tool cannot pour grease accurately, air may remain in the flow path of the grease. Eject the air according to the following procedure.

1. Loosen the valve for air drain.
▶ Fig.29: 1. Valve

2. Eject the air that remains in the flow path of the grease.
▶ Fig.30

3. Fasten the valve for air drain when you see the grease coming out of the hole.
▶ Fig.31

MAINTENANCE

⚠ CAUTION: Always be sure that the tool is switched off and the battery cartridge is removed before attempting to perform inspection or maintenance.

NOTICE: Never use gasoline, benzine, thinner, alcohol or the like. Discoloration, deformation or cracks may result.

To maintain product SAFETY and RELIABILITY, repairs, any other maintenance or adjustment should be performed by Makita Authorized or Factory Service Centers, always using Makita replacement parts.

Purge of grease

When storing the tool or using the barrel in which the grease remains, remove the barrel and purge the old grease in the following procedure.

1. Loosen the valve for air drain.
2. Fully pull the rod handle and lock it.
3. Remove the barrel from the tool.
4. Unlock the rod handle. Keep holding the rod handle and slowly move the rod handle forward so the grease gets out of the barrel.

⚠ CAUTION: Do not take hand off from the rod handle. Otherwise the grease pops out vigorously.

NOTICE: Keep dust away from inside of the barrel. Dust may get clogged in the tool.

NOTICE: Clean the inside of the barrel once every three months.

OPTIONAL ACCESSORIES

⚠ CAUTION: These accessories or attachments are recommended for use with your Makita tool specified in this manual. The use of any other accessories or attachments might present a risk of injury to persons. Only use accessory or attachment for its stated purpose.

If you need any assistance for more details regarding these accessories, ask your local Makita Service Center.

- Adapter
- Flexible hose
- Barrel
- Cartridge barrel
- Shoulder strap
- Lock on adapter
- Angle adapter
- Makita genuine battery and charger

NOTE: Some items in the list may be included in the tool package as standard accessories. They may differ from country to country.

Replacing of the adapter

Loosen and remove the old adapter with two wrenches as illustrated and then tighten the new adapter securely.
▶ Fig.32

NOTE: If grease leaks from the joint between the hose and the adapter, wrap thread seal tape around the thread part of the hose before connecting the adapter.

Replacing of the flexible hose

Loosen and remove the old flexible hose with a wrench as illustrated and then tighten the new flexible hose securely.
▶ Fig.33

⚠ CAUTION: Replace the rubber ring attached to the connection part of the new flexible hose at the same time. If you replace the flexible hose without the rubber ring or with the old rubber ring, grease may leak and cause an injury.

Changing the barrel

NOTE: The barrel type varies depending on the country.

NOTE: To install a barrel of different type, additional parts described below are required depending on the type of the barrel.

Changing the barrel from A-type to B-type/C-type

1. Remove A-type barrel.
2. Remove the screw and then the sleeve.
▶ Fig.34: 1. Sleeve 2. Screw
3. Insert the joint with the rubber packing while aligning the tab with the groove on the mounting part and then secure it with screws.
4. Install B-type/C-type barrel.
▶ Fig.35: 1. Joint 2. Rubber packing 3. Tab 4. Groove 5. Screw

Changing the barrel from B-type/C-type to A-type

1. Remove B-type/C-type barrel.
2. Unscrew and remove the joint.
▶ Fig.36: 1. Joint 2. Rubber packing 3. Screw
3. Insert the sleeve into the tool housing, then secure it with a screw.
4. Install A-type barrel.
▶ Fig.37: 1. Sleeve 2. Screw

Cartridge barrel

You can see the grease cartridge through the hole on the cartridge barrel.

► **Fig.38**

When using the cartridge barrel, transfer the piston parts from the corresponding barrel to the cartridge barrel.

► **Fig.39:** 1. Piston parts 2. Cartridge barrel

If it is hard to pull out the rod handle, follow the procedure below.

1. Insert the empty grease cartridge into the barrel.

► **Fig.40:** 1. Empty grease cartridge

2. Pull the rod handle and lock it.

► **Fig.41**

3. Remove the empty grease cartridge from the barrel.

Lock on adapter

⚠ CAUTION: Be careful not to pinch the finger in the lock on adapter.

⚠ CAUTION: Wear the protective goggles.

When removing the lock on adapter from the grease nipple, the grease may spout out of the tool and cause an injury.

When connecting the lock on adapter to the grease nipple, push the lock on adapter straight at the grease nipple while pulling the lever of the lock on adapter, then release the lever.

► **Fig.42:** 1. Lever 2. Lock on adapter

To assemble the lock on adapter, refer to the section for replacing of the adapter.

Angle adapter

When attaching the angle adapter, push the adapter of the tool straight to the angle adapter.

► **Fig.43:** 1. Angle adapter

NOTE: The angle adapter is recommended for grease injection at relatively low pressure such as replacement of old grease in joints or sliding parts of heavy machinery and vehicles.

TROUBLE SHOOTING

Before asking for repairs, conduct your own inspection first. If you find a problem that is not explained in the manual, do not attempt to dismantle the tool. Instead, ask Makita Authorized Service Centers, always using Makita replacement parts for repairs.

State of abnormality	Probable cause (malfunction)	Remedy
The tool does not pour grease	Air remains in the flow path of the grease.	To eject air from inside of the tool, loosen the valve for air drain.
	The valve for air drain is loose.	Fasten the valve for air drain.
	The grease consistency is high.	Use NLGI No.0 - No.2 grease.
	The grease is hard due to low ambient/ storage temperature.	Warm grease before use.
	No grease inside of the tool.	Supply grease into the tool.
You cannot pull the rod handle.	The valve for air drain is fastened.	Loosen the valve for air drain.
Grease leaks from the adapter.	There is wear, damage or dust on the grease injection port (grease nipple).	Clean or replace the grease injection port (grease nipple).
	Adapter is worn out.	Replace the adapter.
Grease does not come out of the air drain valve when ejecting the air.	The air drain valve is not loose enough.	Loosen the air drain valve further.
	The grease is hard.	The air may have already been ejected. Fasten the valve for air drain, install the battery cartridge, and turn on the tool to check if the tool pour grease.

SPÉCIFICATIONS

Modèle :		DGP180
Tension nominale		18 V CC
Capacité de graisse (avec un barillet de type A)	Cartouche	410 g
	Vrac	455 g
Capacité de graisse (avec un barillet de type B)	Cartouche	450 g
	Vrac	570 g
Pression de service maximum		69 MPa
Débit volumétrique maximum	Mode basse vitesse	145 ml/min
	Mode vitesse automatique	290 ml/min
Type de graisse applicable		NLGI N° 0 - N° 2
Longueur de tuyau		1 200 mm
Longueur totale	Avec un barillet de type A	411 mm
	Avec un barillet de type B	449 mm
Poids net		4,8 - 6,1 kg

NOTE : Le type de barillet (type A ou B) dépend du pays.

- Étant donné l'évolution constante de notre programme de recherche et de développement, les spécifications contenues dans ce manuel sont sujettes à modification sans préavis.
- Les spécifications et la batterie peuvent être différentes suivant les pays.
- Le poids peut être différent selon les accessoires, notamment la batterie. Les associations la plus légère et la plus lourde, conformément à la procédure EPTA 01/2014, sont indiquées dans le tableau.

Batterie et chargeur applicables

Batterie	BL1815N / BL1820B / BL1830B / BL1840B / BL1850B / BL1860B
Chargeur	DC18RC / DC18RD / DC18RE / DC18SD / DC18SE / DC18SF / DC18SH

- Certains chargeurs et batteries répertoriés ci-dessus peuvent ne pas être disponibles selon la région où vous résidez.

⚠ AVERTISSEMENT : N'utilisez que les batteries et les chargeurs répertoriés ci-dessus. L'utilisation d'autres batteries et chargeurs peut provoquer des blessures et/ou un incendie.

Utilisations

Cet outil est conçu pour distribuer de la graisse.

Bruit

Niveau de bruit pondéré A typique, déterminé selon EN62841-1 :

Niveau de pression sonore (L_{pA}) : 76 dB (A)

Incertitude (K) : 3 dB (A)

NOTE : La ou les valeurs d'émission de bruit déclarées ont été mesurées conformément à la méthode de test standard et peuvent être utilisées pour comparer les outils entre eux.

NOTE : La ou les valeurs d'émission de bruit déclarées peuvent aussi être utilisées pour l'évaluation préliminaire de l'exposition.

⚠ AVERTISSEMENT : Portez un serre-tête antibruit.

⚠ AVERTISSEMENT : L'émission de bruit lors de l'usage réel de l'outil électrique peut être différente de la ou des valeurs déclarées, suivant la façon dont l'outil est utilisé, particulièrement selon le type de pièce usinée.

⚠ AVERTISSEMENT : Les mesures de sécurité à prendre pour protéger l'utilisateur doivent être basées sur une estimation de l'exposition dans des conditions réelles d'utilisation (en tenant compte de toutes les composantes du cycle d'utilisation, comme par exemple le moment de sa mise hors tension, lorsqu'il tourne à vide et le moment de son déclenchement).

Vibrations

Valeur totale de vibrations (somme de vecteur triaxial) déterminée selon EN62841-1 :

Émission de vibrations (a_{hv}) : 2,5 m/s² ou moins

Incertitude (K) : 1,5 m/s²

NOTE : La ou les valeurs de vibration totales déclarées ont été mesurées conformément à la méthode de test standard et peuvent être utilisées pour comparer les outils entre eux.

NOTE : La ou les valeurs de vibration totales déclarées peuvent aussi être utilisées pour l'évaluation préliminaire de l'exposition.

⚠ AVERTISSEMENT : L'émission de vibrations lors de l'usage réel de l'outil électrique peut être différente de la ou des valeurs déclarées, suivant la façon dont l'outil est utilisé, particulièrement selon le type de pièce usinée.

⚠ AVERTISSEMENT : Les mesures de sécurité à prendre pour protéger l'utilisateur doivent être basées sur une estimation de l'exposition dans des conditions réelles d'utilisation (en tenant compte de toutes les composantes du cycle d'utilisation, comme par exemple le moment de sa mise hors tension, lorsqu'il tourne à vide et le moment de son déclenchement).

Déclaration de conformité CE

Pour les pays européens uniquement

La déclaration de conformité CE est fournie en Annexe A à ce mode d'emploi.

CONSIGNES DE SÉCURITÉ

Consignes de sécurité générales pour outils électriques

⚠ AVERTISSEMENT : Veuillez lire les consignes de sécurité, instructions, illustrations et spécifications qui accompagnent cet outil électrique. Le non-respect de toutes les instructions indiquées ci-dessous peut entraîner une électrocution, un incendie et/ou de graves blessures.

Conservez toutes les mises en garde et instructions pour référence ultérieure.

Le terme « outil électrique » dans les avertissements fait référence à l'outil électrique alimenté par le secteur (avec cordon d'alimentation) ou à l'outil électrique fonctionnant sur batterie (sans cordon d'alimentation).

Consignes de sécurité pour pompe à graisse sans fil

1. **Tenez votre outil fermement.**
2. **N'utilisez pas l'outil près d'une flamme.** La graisse pourrait être inflammable.
3. **Utilisez uniquement de la graisse satisfaisant les spécifications stipulées dans ce manuel d'instructions.** L'utilisation d'un type de graisse différent ou d'autres matériaux que de la graisse peut entraîner une panne.
4. **N'utilisez pas d'autres matériaux que de la graisse, comme de l'huile.** Il pourrait jaillir de l'outil et entrer en contact avec vos yeux.
5. **Ne transportez pas l'outil en le tenant par le tuyau flexible ou la poignée de la tige.**
6. **Portez des lunettes de protection lorsque vous utilisez l'outil.**
7. **Avant chaque utilisation, vérifiez le tuyau flexible.** N'utilisez pas le tuyau s'il est entortillé ou endommagé. Le tuyau peut se rompre sous une pression élevée, et la graisse risque d'entrer en contact avec vos yeux.
8. **Assurez-vous que la tige est solidement fixée.** La tige pourrait bouger accidentellement et vous pincer.
9. **Lisez et suivez les instructions du fabricant de la graisse avant utilisation.**
10. **Maintenez vos mains et vos vêtements à l'écart de la tige sur la poignée de la tige.** Vous pourriez autrement vous pincer les doigts ou les vêtements.
11. **Essuyez la graisse collée sur l'outil.** Cela présente autrement un risque de glissement et de blessures.
12. **Évitez de plier le tuyau flexible en forçant ou de le piétiner.** Cela pourrait le casser ou le déformer.
13. **Ne pointez pas l'adaptateur en direction d'une personne se trouvant à proximité.**
14. **Utilisez uniquement le tuyau flexible spécifié par Makita.** L'utilisation de tout autre tuyau peut présenter un risque de blessure.

CONSERVEZ CES INSTRUCTIONS.

Consignes de sécurité importantes pour la batterie

1. **Avant d'utiliser la batterie, lisez toutes les instructions et précautions relatives (1) au chargeur de batterie, (2) à la batterie, et (3) au produit utilisant la batterie.**
2. **Ne désassemblez pas et ne modifiez pas la batterie.** Cela pourrait entraîner un incendie, une chaleur excessive ou une explosion.
3. **Cessez immédiatement l'utilisation si le temps de fonctionnement devient excessivement court.** Il y a un risque de surchauffe, de brûlures, voire d'explosion.
4. **Si l'électrolyte pénètre dans vos yeux, rincez-les à l'eau claire et consultez immédiatement un médecin.** Il y a un risque de perte de la vue.

5. **Ne court-circuitez pas la batterie :**
 - (1) **Ne touchez les bornes avec aucun matériau conducteur.**
 - (2) **Évitez de ranger la batterie dans un conteneur avec d'autres objets métalliques, par exemple des clous, des pièces de monnaie, etc.**
 - (3) **N'exposez pas la batterie à l'eau ou à la pluie.**

Un court-circuit de la batterie peut provoquer une intensité de courant élevée, une surchauffe, parfois des brûlures et même une panne.
6. **Ne rangez ni n'utilisez l'outil et la batterie dans un endroit où la température risque d'atteindre ou de dépasser 50 °C.**
7. **Ne jetez pas la batterie au feu même si elle est sérieusement endommagée ou complètement épuisée. La batterie peut exploser au contact du feu.**
8. **Abstenez-vous de clouer, couper, écraser, jeter, laisser tomber la batterie, ou de la heurter contre un objet dur.** Cela pourrait entraîner un incendie, une chaleur excessive ou une explosion.
9. **N'utilisez pas la batterie si elle est endommagée.**
10. **Les batteries au lithium-ion contenues sont soumises aux exigences de la législation sur les marchandises dangereuses.**

Lors du transport commercial par des tierces parties ou des transitaires par exemple, des exigences spécifiques en matière d'étiquetage et d'emballage doivent être respectées.

Pour la préparation de l'article expédié, il est nécessaire de consulter un expert en matériau dangereux. Veuillez également respecter les réglementations nationales susceptibles d'être plus détaillées.

Recouvrez les contacts exposés avec du ruban adhésif ou du ruban de masquage et emballez la batterie de telle sorte qu'elle ne puisse pas bouger dans l'emballage.
11. **Lors de la mise au rebut de la batterie, retirez-la de l'outil et jetez-la en lieu sûr. Suivez les réglementations locales en matière de mise au rebut des batteries.**
12. **Utilisez les batteries uniquement avec les produits spécifiés par Makita.** L'insertion de batteries dans des produits non conformes peut provoquer un incendie, une chaleur excessive, une explosion ou une fuite de l'électrolyte.
13. **Lorsque vous n'utilisez pas l'outil pendant une période prolongée, la batterie doit être retirée de l'outil.**
14. **Pendant et après l'utilisation, la batterie peut chauffer, ce qui peut entraîner des brûlures, y compris en cas de température relativement basse. Manipulez les batteries chaudes avec précaution.**
15. **Ne touchez pas la borne de l'outil immédiatement après utilisation car elle peut être assez chaude pour provoquer des brûlures.**
16. **Évitez que des copeaux, de la poussière ou du sol adhèrent aux bornes, aux trous et aux rainures de la batterie.** Cela peut provoquer un échauffement, un incendie, une explosion ou un dysfonctionnement de l'outil ou de la batterie, ce qui peut entraîner des brûlures ou des blessures.
17. **À moins que l'outil prenne en charge un tel usage, n'utilisez pas la batterie à proximité de lignes électriques haute tension.** Cela pourrait entraîner un dysfonctionnement ou casser l'outil ou la batterie.
18. **Conservez la batterie hors de portée des enfants.**

CONSERVEZ CES INSTRUCTIONS.

⚠ ATTENTION : N'utilisez que des batteries Makita d'origine. L'utilisation de batteries de marque autre que Makita ou de batteries modifiées peut provoquer l'explosion des batteries, ce qui présente un risque d'incendie, de dommages matériels et corporels. Cela annulera également la garantie Makita pour l'outil et le chargeur Makita.

Conseils pour assurer la durée de vie optimale de la batterie

1. **Chargez la batterie avant qu'elle ne soit complètement déchargée. Arrêtez toujours l'outil et rechargez la batterie quand vous remarquez que la puissance de l'outil diminue.**
2. **Ne rechargez jamais une batterie complètement chargée. La surcharge réduit la durée de service de la batterie.**
3. **Chargez la batterie à une température ambiante comprise entre 10 °C et 40 °C. Avant de charger une batterie chaude, laissez-la refroidir.**
4. **Lorsque vous n'utilisez pas la batterie, retirez-la de l'outil ou du chargeur.**
5. **Rechargez la batterie si elle est restée inutilisée pendant une période prolongée (plus de six mois).**

DESCRIPTION DES PIÈCES

► Fig.1

1	Gâchette	2	Bouton de verrouillage	3	Interrupteur de la lampe
4	Lampe	5	Bouton de verrouillage de la gâchette	6	Bouton de changement du mode de vitesse
7	Purgeur d'air	8	Bouchon de l'orifice de remplissage	9	Tuyau flexible
10	Adaptateur	11	Orifice pour bandoulière	12	Batterie
13	Barillet	14	Poignée de la tige	15	Support du tuyau
16	Clapet de décharge	17	Bandoulière	-	-

DESCRIPTION DU FONCTIONNEMENT

ATTENTION : Assurez-vous toujours que l'outil est hors tension et que sa batterie est retirée avant de l'ajuster ou de vérifier son fonctionnement.

Insertion ou retrait de la batterie

ATTENTION : Éteignez toujours l'outil avant de mettre en place ou de retirer la batterie.

ATTENTION : Tenez fermement l'outil et la batterie lors de la mise en place ou du retrait de la batterie. Si vous ne tenez pas fermement l'outil et la batterie, ils peuvent vous glisser des mains, et s'abîmer ou vous blesser.

► Fig.2: 1. Indicateur rouge 2. Bouton 3. Batterie

Pour retirer la batterie, faites-la glisser hors de l'outil tout en faisant glisser le bouton à l'avant de la batterie.

Pour mettre la batterie en place, alignez la languette de la batterie avec la rainure du compartiment puis insérez la batterie. Insérez-la entièrement jusqu'à entendre un léger dé clic indiquant qu'elle est bien en place. Si vous pouvez voir l'indicateur rouge comme illustré sur la figure, c'est qu'elle n'est pas bien verrouillée.

ATTENTION : Insérez toujours complètement la batterie jusqu'à ce que l'indicateur rouge ne soit plus visible. Sinon, elle pourrait tomber accidentellement de l'outil, au risque de vous blesser ou de blesser quelqu'un se trouvant près de vous.

ATTENTION : N'insérez pas la batterie de force. Si elle ne glisse pas facilement, c'est que vous ne l'insérez pas correctement.

Système de protection de l'outil/la batterie

L'outil est équipé d'un système de protection de l'outil/la batterie. Ce système coupe automatiquement l'alimentation vers le moteur pour prolonger la durée de vie de l'outil et de la batterie. Si l'outil ou la batterie se trouve dans l'une des situations suivantes, l'outil cessera automatiquement de fonctionner.

Protection contre la surcharge

Lorsque l'outil ou la batterie est utilisé d'une manière provoquant un appel de courant anormalement élevé, l'outil s'arrête automatiquement sans indication. Dans ce cas, éteignez l'outil et arrêtez la tâche ayant provoqué la surcharge de l'outil. Puis rallumez l'outil pour reprendre la tâche.

Protection contre la surchauffe

En cas de surchauffe de l'outil ou de la batterie, l'outil s'arrête automatiquement et la lampe clignote. Dans ce cas, laissez l'outil et la batterie refroidir avant de rallumer l'outil.

Protection contre la décharge totale de la batterie

Lorsque la charge de la batterie est insuffisante, l'outil s'arrête automatiquement. Dans ce cas, retirez la batterie de l'outil et chargez-la.

NOTE : Le système de protection peut être plus susceptible de se déclencher selon la température ambiante ou le type et l'état de la graisse.

Protections contre d'autres causes

Le système de protection est également conçu pour d'autres causes qui pourraient endommager l'outil et lui permet de s'arrêter automatiquement. Suivez toutes les étapes ci-dessous pour éliminer les causes, lorsque l'outil a été arrêté provisoirement ou a cessé de fonctionner.

1. Éteignez l'outil, puis rallumez-le pour le redémarrer.
2. Chargez la ou les batteries ou remplacez-les par des batteries rechargées.
3. Laissez l'outil et la ou les batteries refroidir.

En l'absence d'amélioration après avoir rétabli le système de protection, contactez votre centre de service Makita local.

Indication de la charge restante de la batterie

Uniquement pour les batteries avec voyant lumineux

► Fig.3: 1. Témoins 2. Bouton de vérification

Appuyez sur le bouton de vérification sur la batterie pour indiquer la charge restante de la batterie. Les témoins s'allument pendant quelques secondes.

Témoins			Charge restante
Allumé	Éteint	Clignotant	
■	□	◐	75 % à 100 %
■	■	□	
■	■	□	50 % à 75 %
■	□	□	25 % à 50 %
■	□	□	0 % à 25 %
◐	□	□	Chargez la batterie.
■	■	□	Anomalie possible de la batterie.
□	□	■	

NOTE : Selon les conditions d'utilisation et la température ambiante, l'indication peut être légèrement différente de la capacité réelle.

NOTE : Le premier témoin (complètement à gauche) clignotera pendant le fonctionnement du système de protection de la batterie.

Fonctionnement de la gâchette

⚠ ATTENTION : Avant d'insérer la batterie dans l'outil, vérifiez toujours que la gâchette fonctionne bien et revient en position d'arrêt lorsque vous la relâchez.

⚠ ATTENTION : Lorsque vous n'utilisez pas l'outil, appuyez sur le côté « A » du bouton de verrouillage de la gâchette pour verrouiller la gâchette en position d'arrêt.

Pour éviter tout déclenchement accidentel de la gâchette, l'outil est muni d'un bouton de verrouillage de la gâchette.

Pour démarrer l'outil, appuyez sur le côté « B » du bouton de verrouillage de la gâchette et enclenchez la gâchette.

La vitesse de l'outil augmente à mesure que vous augmentez la pression sur la gâchette. Pour l'arrêter, relâchez la gâchette. Après utilisation, appuyez toujours sur le côté « A » du bouton de verrouillage de la gâchette. Pour un fonctionnement continu, enclenchez la gâchette et poussez le bouton de verrouillage. Pour arrêter l'outil sur la position verrouillée, enclenchez à fond la gâchette pour la déverrouiller.

► Fig.4: 1. Gâchette 2. Bouton de verrouillage 3. Bouton de verrouillage de la gâchette

Allumage de la lampe avant

⚠ ATTENTION : Évitez de regarder directement le faisceau lumineux ou sa source.

Appuyez sur l'interrupteur de la lampe pour allumer la lampe. Appuyez à nouveau sur l'interrupteur de la lampe pour éteindre la lampe. Si l'outil n'est pas utilisé pendant environ 60 secondes avec le moteur arrêté, la lampe s'éteint.

► Fig.5: 1. Lampe 2. Interrupteur de la lampe

REMARQUE : Retirez la saleté sur la lentille de la lampe avec un chiffon sec. Prenez soin de ne pas érafler la lentille de la lampe sous peine de diminuer son éclairage.

Sélection du mode de vitesse

REMARQUE : Ne changez de mode de vitesse qu'une fois que l'outil est complètement arrêté.

L'outil dispose d'un bouton de changement du mode de vitesse. Tournez le bouton de sorte que la flèche sur le bouton pointe vers l'un des deux modes ci-dessous :

1	Mode basse vitesse : Distribuer la graisse à une vitesse lente constante.
2	Mode vitesse automatique : Appliquer la graisse tout en variant automatiquement le débit en fonction de la pression de la cible d'application.

► Fig.6: 1. Bouton de changement du mode de vitesse

Clapet de décharge

Lorsque la pression interne de l'outil dépasse un certain niveau, la graisse s'échappe du clapet de décharge pour abaisser la pression interne.

► Fig.7: 1. Clapet de décharge

⚠ ATTENTION : Abstenez-vous de retirer le clapet de décharge ou d'y apporter des changements.

⚠ ATTENTION : Ne retirez pas le couvercle du clapet de décharge. Autrement, de la graisse pourrait jaillir du clapet de décharge et entrer dans vos yeux.

ASSEMBLAGE

⚠ ATTENTION : Assurez-vous toujours que l'outil est hors tension et que sa batterie est retirée avant d'effectuer toute tâche dessus.

Dépose ou pose du barillet

Pour déposer le barillet, vissez-le comme illustré.

► Fig.8: 1. Barillet

Pour installer le barillet, insérez-le dans l'outil, puis vissez-le en sens inverse.

► Fig.9: 1. Barillet

Poignée de la tige

REMARQUE : Ne tirez pas sur la poignée de la tige avec le robinet du purgeur d'air serré alors que le barillet est installé dans l'outil. Vérifiez bien que le robinet du purgeur d'air est desserré. Le non-respect de cette règle peut entraîner un dysfonctionnement.

Tirez la poignée de la tige lorsque vous remplissez de graisse le barillet.

► Fig.10: 1. Poignée de la tige 2. Tige

Pour verrouiller la poignée de la tige tirée à fond, tirez dessus jusqu'à ce que la rainure de la tige soit visible, puis accrochez la rainure sur la fente. Pour déverrouiller la poignée de la tige, décrochez la rainure de sorte que la tige se déplace vers l'avant.

► Fig.11: 1. Rainure 2. Fente

⚠ ATTENTION : Assurez-vous que la poignée de la tige est solidement verrouillée. Autrement, elle pourrait être accidentellement déverrouillée et vous pincer.

Support du tuyau

Le support du tuyau peut être fixé d'un côté ou de l'autre de l'outil avec la vis.

► Fig.12: 1. Support du tuyau 2. Vis

Bandoulière

⚠ AVERTISSEMENT : N'utilisez jamais l'orifice pour bandoulière avec la longe (sangle de retenue). Cela pourrait entraîner des blessures graves étant donné que l'orifice pour bandoulière n'est pas prévu pour un dispositif de sécurité anti-chute.

⚠ AVERTISSEMENT : Lorsque vous transportez l'outil, tenez-le toujours même si vous utilisez la bandoulière. Transporter l'outil en utilisant uniquement la bandoulière le rend instable. La bandoulière risquerait de se détacher ou l'outil de frapper d'autres objets et de vous blesser.

Fixez les crochets de la bandoulière sur les montures des orifices pour bandoulière comme illustré sur la figure.

► **Fig.13**: 1. Bandoulière 2. Crochet 3. Monture

UTILISATION

Graissage

⚠ AVERTISSEMENT : Lisez impérativement les manuels d'instructions de la graisse et/ou d'autres instruments et remplacez les éléments suivants au besoin. Une mauvaise utilisation ou le non-respect des instructions peut endommager l'outil ou provoquer des blessures.

REMARQUE : Lorsque vous utilisez le barillet et qu'il reste de la graisse dedans, retirez le barillet et purgez l'ancienne graisse en consultant la section sur la purge de la graisse.

Il y a différentes façons de distribuer de la graisse :

Mise en place d'une cartouche de graisse (achetée dans le commerce) dans le barillet

REMARQUE : (Pour barillet de type A uniquement)

Utilisez une cartouche de graisse dont le bord peut être accroché à l'extrémité du barillet.

REMARQUE : (Pour le barillet de type B/type C uniquement)

Utilisez une cartouche de graisse dont le bord peut être accroché au cran interne du barillet.

1. Desserrez le robinet du purgeur d'air.
► **Fig.14**: 1. Robinet
2. Tirez à fond la poignée de la tige et verrouillez-la.
► **Fig.15**: 1. Rainure 2. Tige 3. Poignée de la tige
3. Retirez le barillet de l'outil.
► **Fig.16**: 1. Barillet
4. Retirez le bouchon en plastique de la cartouche de graisse et insérez la cartouche dans le barillet.
► **Fig.17**: 1. Cartouche de graisse (achetée dans le commerce) 2. Tirette

5. Retirez la tirette de la cartouche de graisse, puis installez le barillet dans l'outil.

En présence d'un écart entre le bord de la cartouche de graisse et le barillet, vissez le barillet dans l'outil tout en le poussant vers l'avant.

► **Fig.18**

6. Relâchez la poignée de la tige.
► **Fig.19**

7. Expulsez l'air qui reste dans la voie de passage de la graisse.

► **Fig.20**

8. Fermez le robinet du purgeur d'air lorsque vous voyez la graisse sortir de l'orifice.

► **Fig.21**

NOTE : Si l'outil ne peut pas déverser la graisse avec précision, il est possible que de l'air reste dans la voie de passage de la graisse. Desserrez le robinet du purgeur d'air et expulsez l'air. (Reportez-vous à la section d'expulsion de l'air.)

Remplissage de graisse du barillet depuis un fût de graisse (acheté dans le commerce)

1. Desserrez le robinet du purgeur d'air.
2. Tirez à fond la poignée de la tige et verrouillez-la.
3. Retirez le barillet de l'outil.

Déverrouillez la poignée de la tige et déplacez délicatement la tige vers l'avant.

4. Plongez la pointe du barillet dans la graisse, puis tirez la poignée de la tige. La graisse est aspirée dans le barillet.

► **Fig.22**: 1. Fût de graisse (acheté dans le commerce)

5. Tirez à fond la poignée de la tige et verrouillez-la.
► **Fig.23**

6. Installez le barillet sur l'outil, puis déverrouillez la poignée de la tige.

7. Expulsez l'air qui reste dans la voie de passage de la graisse.

8. Fermez le robinet du purgeur d'air lorsque vous voyez la graisse sortir de l'orifice.

REMARQUE : Veillez à verrouiller solidement la poignée de la tige. Autrement, la poignée de la tige se déverrouille accidentellement et la graisse s'échappe du barillet.

NOTE : (Pour le barillet de type B/type C uniquement)

La graisse doit être remplie jusque sous la ligne de la rainure de vissage. Autrement, la graisse débordera lors de la pose du barillet sur l'outil.

► **Fig.24**: 1. Barillet (type B/type C) 2. Rainure de vissage 3. Graisse

NOTE : Si l'outil ne peut pas déverser la graisse avec précision, il est possible que de l'air reste dans la voie de passage de la graisse. Desserrez le robinet du purgeur d'air et expulsez l'air. (Reportez-vous à la section d'expulsion de l'air.)

Vous pouvez également remplir de graisse le barillet à l'aide d'une pompe de remplissage (achetée dans le commerce) jointe au fût de graisse.

1. Retirez le barillet de l'outil.
2. Enroulez du ruban d'étanchéité pour filetage autour de la partie filetée du raccord de charge (acheté dans le commerce).
3. Retirez le bouchon de l'orifice de remplissage. Fixez un raccord de charge sur l'orifice de remplissage.
4. Installez le barillet sur l'outil. (La poignée de la tige est déverrouillée.)
5. Vérifiez bien que le robinet du purgeur d'air est serré. Connectez le raccord de charge sur le raccord de la pompe de remplissage.

► **Fig.25:** 1. Bouchon de l'orifice de remplissage 2. Orifice de remplissage 3. Raccord de charge (acheté dans le commerce) 4. Pompe de remplissage (achetée dans le commerce) 5. Raccord

6. Faites fonctionner la pompe de remplissage. La tige de la poignée de la tige sera poussée vers l'extérieur à mesure que le barillet est rempli de graisse.

► **Fig.26**

7. Déconnectez le raccord de charge du raccord de la pompe de remplissage.
8. Expulsez l'air qui reste dans la voie de passage de la graisse.
9. Fermez le robinet du purgeur d'air lorsque vous voyez la graisse sortir de l'orifice.

AVERTISSEMENT : Utilisez uniquement un raccord de charge basse pression. N'utilisez jamais un raccord de charge haute pression sous peine d'endommager l'outil et de vous blesser.

ATTENTION : Tenez l'outil fermement lorsque vous remplissez la graisse avec une pompe de remplissage. L'outil pourrait tomber et provoquer des blessures.

REMARQUE : Arrêtez de remplir la graisse lorsque vous voyez la rainure sur la tige. Autrement une fuite de graisse est possible.

NOTE : Si l'outil ne peut pas déverser la graisse avec précision, il est possible que de l'air reste dans la voie de passage de la graisse. Desserrez le robinet du purgeur d'air et expulsez l'air. (Reportez-vous à la section d'expulsion de l'air.)

Expulsion de l'air

Si de l'air reste dans la voie de passage de la graisse, l'outil ne peut pas déverser la graisse avec précision. Expulsez l'air avant chaque utilisation et aussi lorsque l'outil ne semble pas fonctionner correctement à cause de l'air.

1. Pour expulser l'air de l'intérieur de l'outil, desserrez le robinet du purgeur d'air. L'air sort de l'orifice du purgeur d'air.
2. Fermez le robinet lorsque vous voyez la graisse sortir de l'orifice.

► **Fig.27:** 1. Robinet

AVERTISSEMENT : Portez des lunettes de protection lors de l'éjection de l'air.

ATTENTION : Essuyez la graisse qui sort du purgeur d'air avec un chiffon sec ou autre. Cela présente autrement un risque de glissement et de blessures.

Distribution de la graisse

Purgez l'ancienne graisse présente à l'intérieur de l'outil avant d'utiliser ce dernier, dans les cas suivants :

- Lorsque vous utilisez l'outil pour la première fois ou
- Lorsque vous utilisez un type de graisse différent de l'utilisation précédente.

Avec la nouvelle graisse dans le barillet, faites fonctionner l'outil pendant un moment jusqu'à ce que l'ancienne graisse soit poussée hors de l'adaptateur.

REMARQUE : Ne connectez pas l'adaptateur à l'embout de graissage tant que l'ancienne graisse n'est pas purgée. Si différents types de graisse sont mélangés, la performance de la graisse peut diminuer.

NOTE : L'outil a été testé en usine, et une petite quantité de graisse demeure.

Procédez comme suit pour distribuer la graisse.

ATTENTION : Vérifiez toujours le mode de vitesse avant chaque utilisation.

REMARQUE : Avant de connecter l'adaptateur à l'embout de graissage, assurez-vous toujours que l'outil distribue correctement la graisse.

REMARQUE : Ne connectez pas l'adaptateur à l'embout de graissage en forçant.

1. Essuyez l'adaptateur et l'embout de graissage avant de les connecter. Poussez l'adaptateur directement sur l'embout de graissage.
2. Enclenchez la gâchette pour distribuer la graisse.

► **Fig.28**

3. Lorsque la distribution de la graisse est terminée, retirez l'adaptateur de l'embout de graissage. Inclinez légèrement l'adaptateur pour relâcher la pression interne, puis retirez l'adaptateur de l'embout de graissage.

Expulsez la graisse sur l'adaptateur et l'embout de graissage.

REMARQUE : Ne laissez pas l'outil fonctionner après qu'il n'y a plus de graisse. Cela peut réduire la durée de vie de l'outil.

NOTE : Si l'outil ne peut pas déverser la graisse avec précision, il est possible que de l'air reste dans la voie de passage de la graisse. Desserrez le robinet du purgeur d'air et expulsez l'air. (Reportez-vous à la section d'expulsion de l'air.)

NOTE : Si la pression interne augmente alors que la gâchette n'est pas complètement enclenchée, le système de protection se déclenche et le moteur s'arrête même si l'outil n'atteint pas la pression de service maximum. Lorsque vous injectez de la graisse à haute pression, enclenchez à fond la gâchette.

NOTE : L'outil s'arrête automatiquement lorsqu'il continue de fonctionner pendant plus de 6 minutes.

Au cas où l'outil ne déverse pas la graisse avec précision

Si l'outil ne peut pas déverser la graisse avec précision, il est possible que de l'air reste dans la voie de passage de la graisse. Évacuez l'air comme expliqué ci-dessous.

1. Desserrez le robinet du purgeur d'air.
► **Fig.29:** 1. Robinet
2. Expulsez l'air qui reste dans la voie de passage de la graisse.
► **Fig.30**
3. Fermez le robinet du purgeur d'air lorsque vous voyez la graisse sortir de l'orifice.
► **Fig.31**

ENTRETIEN

ATTENTION : Assurez-vous toujours que l'outil est hors tension et que la batterie est retirée avant d'y effectuer tout travail d'inspection ou d'entretien.

REMARQUE : N'utilisez jamais d'essence, benzine, diluant, alcool ou autre produit similaire. Cela risquerait de provoquer la décoloration, la déformation ou la fissuration de l'outil.

Pour assurer la SÉCURITÉ et la FIABILITÉ du produit, toute réparation, tout travail d'entretien ou de réglage doivent être effectués par un centre d'entretien Makita agréé, avec des pièces de rechange Makita.

Purge de la graisse

Lorsque vous rangez l'outil ou utilisez le barillet avec encore de la graisse dedans, retirez le barillet et purgez l'ancienne graisse en procédant comme suit.

1. Desserrez le robinet du purgeur d'air.
2. Tirez à fond la poignée de la tige et verrouillez-la.
3. Retirez le barillet de l'outil.
4. Déverrouillez la poignée de la tige. Continuez à tenir la poignée de la tige et déplacez-la lentement vers l'avant afin que la graisse sorte du barillet.

ATTENTION : Ne retirez pas la main de la poignée de la tige. Autrement la graisse est projetée vigoureusement.

REMARQUE : Maintenez la poussière à l'écart de l'intérieur du barillet. La poussière peut boucher l'outil.

REMARQUE : Nettoyez l'intérieur du barillet tous les trois mois.

ACCESSOIRES EN OPTION

ATTENTION : Ces accessoires ou pièces complémentaires sont recommandés pour l'utilisation avec l'outil Makita spécifié dans ce mode d'emploi. L'utilisation de tout autre accessoire ou pièce complémentaire peut comporter un risque de blessure. N'utilisez les accessoires ou pièces complémentaires qu'aux fins auxquelles ils ont été conçus.

Pour obtenir plus de détails sur ces accessoires, contactez votre centre d'entretien local Makita.

- Adaptateur
- Tuyau flexible
- Barillet
- Barillet de cartouches
- Bandoulière
- Adaptateur à verrouiller
- Adaptateur d'angle
- Batterie et chargeur Makita d'origine

NOTE : Il se peut que certains éléments de la liste soient compris dans l'emballage de l'outil en tant qu'accessoires standard. Ils peuvent varier d'un pays à l'autre.

Remplacement de l'adaptateur

Desserrez et retirez l'ancien adaptateur avec deux clés comme illustré, puis serrez solidement le nouvel adaptateur.
► **Fig.32**

NOTE : Si la graisse s'échappe du joint entre le tuyau et l'adaptateur, enroulez un ruban d'étanchéité pour raccord fileté autour de la partie filetée du tuyau avant de raccorder l'adaptateur.

Remplacement du tuyau flexible

Desserrez et retirez l'ancien tuyau flexible avec une clé comme illustré, puis serrez solidement le nouveau tuyau flexible.
► **Fig.33**

ATTENTION : Remplacez l'anneau en caoutchouc fixé à la partie de raccordement du nouveau tuyau flexible en même temps. Si vous remplacez le tuyau flexible sans l'anneau en caoutchouc ou avec l'ancien anneau en caoutchouc, la graisse peut fuir et provoquer des blessures.

Changement de barillet

NOTE : Le type de barillet dépend du pays.

NOTE : Pour installer un barillet de type différent, les pièces supplémentaires décrites ci-dessous sont nécessaires en fonction du barillet.

Changement du barillet du type A au type B/type C

1. Retirez le barillet de type A.
2. Retirez la vis, puis le manchon.
► **Fig.34:** 1. Manchon 2. Vis
3. Insérez le joint avec la garniture en caoutchouc tout en alignant la languette avec la rainure sur la pièce de fixation, puis fixez-le en place avec les vis.

4. Installez un barillet de type B/type C.
 ► **Fig.35:** 1. Joint 2. Garniture en caoutchouc
 3. Langnette 4. Rainure 5. Vis

Changement du barillet du type B/ type C au type A

1. Retirez le barillet de type B/type C.
 2. Dévissez et retirez le joint.
 ► **Fig.36:** 1. Joint 2. Garniture en caoutchouc 3. Vis
 3. Insérez le manchon dans le logement de l'outil, puis fixez-le en place avec une vis.
 4. Installez un barillet de type A.
 ► **Fig.37:** 1. Manchon 2. Vis

Barillet de cartouches

Vous pouvez voir la cartouche de graisse par le trou sur le barillet de cartouches.

► **Fig.38**

Lorsque vous utilisez le barillet de cartouches, transférez les pièces du piston du barillet correspondant au barillet de cartouches.

► **Fig.39:** 1. Pièces du piston 2. Barillet de cartouches

Si vous avez du mal à extraire la poignée de la tige, procédez comme indiqué ci-dessous.

1. Insérez la cartouche de graisse vide dans le barillet.
 ► **Fig.40:** 1. Cartouche de graisse vide
 2. Tirez sur la poignée de la tige et verrouillez-la.
 ► **Fig.41**
 3. Retirez la cartouche de graisse vide du barillet.

Adaptateur à verrouiller

⚠ ATTENTION : Veillez à ne pas vous pincer le doigt dans l'adaptateur à verrouiller.

⚠ ATTENTION : Portez des lunettes de protection. Lors du retrait de l'adaptateur à verrouiller de l'embout de graissage, la graisse peut jaillir de l'outil et vous blesser.

Lorsque vous raccordez l'adaptateur à verrouiller sur l'embout de graissage, poussez l'adaptateur à verrouiller droit sur l'embout de graissage tout en tirant le levier de l'adaptateur à verrouiller, puis relâchez le levier.

► **Fig.42:** 1. Levier 2. Adaptateur à verrouiller

Pour assembler l'adaptateur à verrouiller, consultez la section sur le remplacement de l'adaptateur.

Adaptateur d'angle

Pour fixer l'adaptateur d'angle, poussez l'adaptateur de l'outil droit sur l'adaptateur d'angle.

► **Fig.43:** 1. Adaptateur d'angle

NOTE : L'adaptateur d'angle est recommandé pour l'injection de graisse à une pression relativement basse, comme pour le remplacement de l'ancienne graisse dans les joints ou les parties couilissantes d'équipements lourds ou de véhicules.

GUIDE DE DÉPANNAGE

Avant de faire une demande de réparation, effectuez d'abord vous-même une inspection. Si vous rencontrez un problème non documenté dans le mode d'emploi, n'essayez pas de démonter l'outil. Demandez plutôt à un centre de service après-vente Makita agréé d'effectuer la réparation au moyen de pièces de rechange Makita.

État d'anomalie	Cause probable (dysfonctionnement)	Solution
L'outil ne déverse pas la graisse.	De l'air reste dans la voie de passage de la graisse.	Pour expulser l'air de l'intérieur de l'outil, desserrez le robinet du purgeur d'air.
	Le robinet du purgeur d'air est desserré.	Serrez le robinet du purgeur d'air.
	La consistance de la graisse est élevée.	Utilisez de la graisse NLGI N° 0 - N° 2.
	La graisse est dure en raison d'une température ambiante/de stockage basse.	Réchauffez la graisse avant utilisation.
	Pas de graisse à l'intérieur de l'outil.	Alimentez l'outil en graisse.
Impossible de tirer la poignée de la tige.	Le robinet du purgeur d'air est serré.	Desserrez le robinet du purgeur d'air.
De la graisse fuit de l'adaptateur.	L'orifice d'injection de la graisse (embout de graissage) est usé, endommagé ou poussiéreux.	Nettoyez ou remplacez l'orifice d'injection de la graisse (embout de graissage).
	L'adaptateur est usé.	Remplacez l'adaptateur.
La graisse ne sort pas du robinet du purgeur d'air lorsque vous expulsez l'air.	Le robinet du purgeur d'air n'est pas assez desserré.	Desserrez davantage le robinet du purgeur d'air.
	La graisse est dure.	Il se peut que l'air ait déjà été expulsé. Serrez le robinet du purgeur d'air, installez la batterie et allumez l'outil pour vérifier s'il déverse la graisse.

TECHNISCHE DATEN

Modell:		DGP180
Nennspannung		18 V Gleichstrom
Fettfüllmenge (mit A-Typ-Zylinder)	Kartusche	410 g
	Masse	455 g
Fettfüllmenge (mit B-Typ-Zylinder)	Kartusche	450 g
	Masse	570 g
Maximaler Betriebsdruck		69 MPa
Maximale Durchflussmenge	Niedergeschwindigkeitsmodus	145 ml/min
	Geschwindigkeits-Automatikmodus	290 ml/min
Anwendbarer Fettyp		NLGI Nr.0 - Nr.2
Schlauchlänge		1.200 mm
Gesamtlänge	mit A-Typ-Zylinder	411 mm
	mit B-Typ-Zylinder	449 mm
Nettogewicht		4,8 - 6,1 kg

HINWEIS: Der Zylindertyp (A-Typ oder B-Typ) ist je nach Land unterschiedlich.

- Wir behalten uns vor, Änderungen der technischen Daten im Zuge der Entwicklung und des technischen Fortschritts ohne vorherige Ankündigung vorzunehmen.
- Die technischen Daten und der Akku können von Land zu Land unterschiedlich sein.
- Das Gewicht kann abhängig von dem Aufsatz (den Aufsätzen), einschließlich des Akkus, unterschiedlich sein. Die leichteste und die schwerste Kombination, gemäß dem EPTA-Verfahren 01/2014, sind in der Tabelle angegeben.

Zutreffende Akkus und Ladegeräte

Akku	BL1815N / BL1820B / BL1830B / BL1840B / BL1850B / BL1860B
Ladegerät	DC18RC / DC18RD / DC18RE / DC18SD / DC18SE / DC18SF / DC18SH

- Einige der oben aufgelisteten Akkus und Ladegeräte sind je nach Ihrem Wohngebiet eventuell nicht erhältlich.

⚠️ WARNUNG: Verwenden Sie nur die oben aufgeführten Akkus und Ladegeräte. Bei Verwendung irgendwelcher anderer Akkus und Ladegeräte besteht Verletzungs- und/oder Brandgefahr.

Vorgesehene Verwendung

Dieses Werkzeug ist zur Abgabe von Schmierfett vorgesehen.

Geräusch

Typischer A-bewerteter Geräuschpegel ermittelt gemäß EN62841-1:

Schalldruckpegel (L_{pA}): 76 dB (A)

Messunsicherheit (K): 3 dB (A)

HINWEIS: Der (Die) angegebene(n) Schallemissionswert(e) wurde(n) im Einklang mit der Standardprüfmethode gemessen und kann (können) für den Vergleich zwischen Werkzeugen herangezogen werden.

HINWEIS: Der (Die) angegebene(n) Schallemissionswert(e) kann (können) auch für eine Vorbewertung des Gefährdungsgrads verwendet werden.

⚠️ WARNUNG: Einen Gehörschutz tragen.

⚠️ WARNUNG: Die Schallemission während der tatsächlichen Benutzung des Elektrowerkzeugs kann je nach der Benutzungsweise des Werkzeugs, und speziell je nach der Art des bearbeiteten Werkstücks, von dem (den) angegebenen Wert(en) abweichen.

⚠️ WARNUNG: Identifizieren Sie Sicherheitsmaßnahmen zum Schutz des Benutzers anhand einer Schätzung des Gefährdungsgrads unter den tatsächlichen Benutzungsbedingungen (unter Berücksichtigung aller Phasen des Arbeitszyklus, wie z. B. Ausschalt- und Leerlaufzeiten des Werkzeugs zusätzlich zur Betriebszeit).

Schwingungen

Schwingungsgesamtwert (Drei-Achsen-Vektorsumme) ermittelt gemäß EN62841-1:

Schwingungsemission (a_w): 2,5 m/s² oder weniger
Messunsicherheit (K): 1,5 m/s²

HINWEIS: Der (Die) angegebene(n) Vibrationsgesamtwert(e) wurde(n) im Einklang mit der Standardprüfmethode gemessen und kann (können) für den Vergleich zwischen Werkzeugen herangezogen werden.

HINWEIS: Der (Die) angegebene(n) Vibrationsgesamtwert(e) kann (können) auch für eine Vorbewertung des Gefährdungsgrads verwendet werden.

⚠️ WARNUNG: Die Vibrationsemission während der tatsächlichen Benutzung des Elektrowerkzeugs kann je nach der Benutzungsweise des Werkzeugs, und speziell je nach der Art des bearbeiteten Werkstücks, von dem (den) angegebenen Emissionswert(en) abweichen.

⚠️ WARNUNG: Identifizieren Sie Sicherheitsmaßnahmen zum Schutz des Benutzers anhand einer Schätzung des Gefährdungsgrads unter den tatsächlichen Benutzungsbedingungen (unter Berücksichtigung aller Phasen des Arbeitszyklus, wie z. B. Ausschalt- und Leerlaufzeiten des Werkzeugs zusätzlich zur Betriebszeit).

EG-Konformitätserklärung

Nur für europäische Länder

Die EG-Konformitätserklärung ist als Anhang A in dieser Bedienungsanleitung enthalten.

SICHERHEITSWARNUNGEN

Allgemeine Sicherheitswarnungen für Elektrowerkzeuge

⚠️ WARNUNG: Lesen Sie alle mit diesem Elektrowerkzeug gelieferten Sicherheitswarnungen, Anweisungen, Abbildungen und technischen Daten durch. Eine Missachtung der unten aufgeführten Anweisungen kann zu einem elektrischen Schlag, Brand und/oder schweren Verletzungen führen.

Bewahren Sie alle Warnungen und Anweisungen für spätere Bezugnahme auf.

Der Ausdruck „Elektrowerkzeug“ in den Warnhinweisen bezieht sich auf Ihr mit Netzstrom (mit Kabel) oder Akku (ohne Kabel) betriebenes Elektrowerkzeug.

Sicherheitswarnungen für Akku-Fettpresse

1. **Halten Sie das Werkzeug mit festem Griff.**
2. **Betreiben Sie das Werkzeug nicht in der Nähe von Flammen.** Das Fett könnte brennbar sein.
3. **Verwenden Sie nur Fett, das die in dieser Gebrauchsanleitung angegebenen Spezifikationen erfüllt.** Das Einfüllen eines anderen Fetttyps oder von anderen Stoffen als Fett kann einen Ausfall verursachen.
4. **Füllen Sie keine Stoffe außer Fett, wie z. B. Öl, ein.** Es könnte aus dem Werkzeug herausspritzen und in Augen gelangen.
5. **Tragen Sie das Werkzeug nicht an dem flexiblen Schlauch oder dem Stangengriff.**
6. **Tragen Sie eine Schutzbrille bei Benutzung des Werkzeugs.**
7. **Überprüfen Sie den flexiblen Schlauch vor jedem Gebrauch. Benutzen Sie den Schlauch nicht, wenn er geknickt oder beschädigt ist.** Der Schlauch kann unter hohem Druck platzen, so dass das Fett in Augen gelangen kann.
8. **Vergewissern Sie sich, dass die Stange fest gesichert ist.** Die Stange kann sich versehentlich bewegen und Einklemmen verursachen.
9. **Lesen und befolgen Sie die Anweisungen des Fettherstellers vor dem Gebrauch.**
10. **Halten Sie Hände und Kleidung von der Stange des Stangengriffs fern.** Anderenfalls können Ihre Finger oder Kleidungsstücke eingeklemmt werden.
11. **Wischen Sie am Werkzeug haftendes Fett ab.** Anderenfalls kann es Abrutschen verursachen, was zu einer Verletzung führen kann.
12. **Unterlassen Sie gewaltsames Biegen oder Stampfen des flexiblen Schlauchs.** Dadurch kann ein Bruch oder eine Verformung des Schlauchs verursacht werden.
13. **Richten Sie den Adapter nicht auf Personen in der Umgebung.**
14. **Verwenden Sie nur einen von Makita vorgeschriebenen flexiblen Schlauch.** Bei Verwendung eines anderen Schlauchs kann Verletzungsgefahr bestehen.

DIESE ANWEISUNGEN AUFBEWAHREN.

Wichtige Sicherheitsanweisungen für Akku

1. **Lesen Sie vor der Benutzung des Akkus alle Anweisungen und Warnhinweise, die an (1) Ladegerät, (2) Akku und (3) Akkuwerkzeug angebracht sind.**
2. **Unterlassen Sie Zerlegen oder Manipulieren des Akkus.** Es kann sonst zu einem Brand, übermäßiger Hitzeentwicklung oder einer Explosion kommen.
3. **Falls die Betriebszeit beträchtlich kürzer geworden ist, stellen Sie den Betrieb sofort ein.** Anderenfalls besteht die Gefahr von Überhitzung, möglichen Verbrennungen und sogar einer Explosion.

4. Falls Elektrolyt in Ihre Augen gelangt, waschen Sie sie mit sauberem Wasser aus, und begeben Sie sich unverzüglich in ärztliche Behandlung. Anderenfalls können Sie Ihre Sehkraft verlieren.
5. Der Akku darf nicht kurzgeschlossen werden:
 - (1) Die Kontakte dürfen nicht mit leitfähigem Material berührt werden.
 - (2) Lagern Sie den Akku nicht in einem Behälter zusammen mit anderen Metallgegenständen, wie z. B. Nägel, Münzen usw.
 - (3) Setzen Sie den Akku weder Wasser noch Regen aus.

Ein Kurzschluss des Akkus verursacht starken Stromfluss, der Überhitzung, mögliche Verbrennungen und einen Defekt zur Folge haben kann.
6. Lagern und benutzen Sie das Werkzeug und den Akku nicht an Orten, an denen die Temperatur 50 °C erreichen oder überschreiten kann.
7. Versuchen Sie niemals, den Akku zu verbrennen, selbst wenn er stark beschädigt oder vollkommen verbraucht ist. Der Akku kann im Feuer explodieren.
8. Unterlassen Sie Nageln, Schneiden, Zerquetschen, Werfen, Fallenlassen des Akkus oder Schlagen des Akkus mit einem harten Gegenstand. Eine solche Handlung kann zu einem Brand, übermäßiger Hitzeentwicklung oder einer Explosion führen.
9. Benutzen Sie keine beschädigten Akkus.
10. Die enthaltenen Lithium-Ionen-Akkus unterliegen den Anforderungen der Gefahrgut-Gesetzgebung.

Für kommerzielle Transporte, z. B. durch Dritte oder Spediteure, müssen besondere Anforderungen zu Verpackung und Etikettierung beachtet werden.

Zur Vorbereitung des zu transportierenden Artikels ist eine Beratung durch einen Experten für Gefahrgut erforderlich. Bitte beachten Sie möglicherweise ausführlichere nationale Vorschriften. Überkleben oder verdecken Sie offene Kontakte, und verpacken Sie den Akku so, dass er sich in der Verpackung nicht umher bewegen kann.
11. Entfernen Sie den Akku zum Entsorgen vom Werkzeug, und entsorgen Sie ihn an einem sicheren Ort. Befolgen Sie die örtlichen Vorschriften bezüglich der Entsorgung von Akkus.
12. Verwenden Sie die Akkus nur mit den von Makita angegebenen Produkten. Das Einsetzen der Akkus in nicht konforme Produkte kann zu einem Brand, übermäßiger Hitzebildung, einer Explosion oder Auslaufen von Elektrolyt führen.
13. Soll das Werkzeug längere Zeit nicht benutzt werden, muss der Akku vom Werkzeug entfernt werden.
14. Bei und nach dem Gebrauch der Akku heiß werden, was Verbrennungen oder Niedertemperaturverbrennungen verursachen kann. Beachten Sie die Handhabung von heißen Akkus.
15. Berühren Sie nicht den Anschlusskontakt des Werkzeugs unmittelbar nach dem Gebrauch, da er heiß genug werden kann, um Verbrennungen zu verursachen.
16. Achten Sie darauf, dass sich keine Späne, Staub oder Schutz in den Anschlusskontakten, Löchern und Nuten des Akkus absetzen. Es könnte sonst zu Erhitzung, Brandauslösung, Bersten und Funktionsstörungen des Werkzeugs oder des Akkus kommen, was zu Verbrennungen oder Personenschäden führen kann.
17. Wenn das Werkzeug den Einsatz in der Nähe einer Hochspannungs-Stromleitung nicht unterstützt, benutzen Sie den Akku nicht in der Nähe einer Hochspannungs-Stromleitung. Dies kann zu einer Funktionsstörung oder Betriebsstörung des Werkzeugs oder des Akkus führen.
18. Halten Sie die Batterie von Kindern fern.

DIESE ANWEISUNGEN AUFBEWAHREN.

⚠ VORSICHT: Verwenden Sie nur Original-Makita-Akkus. Die Verwendung von Nicht-Original-Makita-Akkus oder von Akkus, die abgeändert worden sind, kann zum Bersten des Akkus und daraus resultierenden Bränden, Personenschäden und Beschädigung führen. Außerdem wird dadurch die Makita-Garantie für das Makita-Werkzeug und -Ladegerät ungültig.

Hinweise zur Aufrechterhaltung der maximalen Akku-Nutzungsdauer

1. Laden Sie den Akku, bevor er vollkommen erschöpft ist. Schalten Sie das Werkzeug stets aus, und laden Sie den Akku, wenn Sie ein Nachlassen der Werkzeugleistung feststellen.
2. Unterlassen Sie erneutes Laden eines voll aufgeladenen Akkus. Überladen führt zu einer Verkürzung der Nutzungsdauer des Akkus.
3. Laden Sie den Akku bei Raumtemperatur zwischen 10 – 40 °C. Lassen Sie einen heißen Akku abkühlen, bevor Sie ihn laden.
4. Wenn Sie den Akku nicht benutzen, nehmen Sie ihn vom Werkzeug oder Ladegerät ab.
5. Der Akku muss geladen werden, wenn er lange Zeit (länger als sechs Monate) nicht benutzt wird.

BEZEICHNUNG DER TEILE

► Abb.1

1	Auslöseschalter	2	Arretierknopf	3	Lampenschalter
4	Lampe	5	Auslösersperknopf	6	Geschwindigkeitsmodus-Umschaltknopf
7	Entlüftung	8	Einfüllöffnungsverschluss	9	Flexibler Schlauch
10	Adapter	11	Riemenöse	12	Akku
13	Zylinder	14	Stangengriff	15	Schlauchhalter
16	Druckablassventil	17	Umhängerriemen	-	-

FUNKTIONSBESCHREIBUNG

⚠ VORSICHT: Vergewissern Sie sich vor der Durchführung von Einstellungen oder Funktionsprüfungen des Werkzeugs stets, dass das Werkzeug ausgeschaltet und der Akku abgenommen ist.

Anbringen und Abnehmen des Akkus

⚠ VORSICHT: Schalten Sie das Werkzeug stets aus, bevor Sie den Akku anbringen oder abnehmen.

⚠ VORSICHT: Halten Sie das Werkzeug und den Akku beim Anbringen oder Abnehmen des Akkus sicher fest. Wenn Sie das Werkzeug und den Akku nicht sicher festhalten, können sie Ihnen aus der Hand rutschen, was zu einer Beschädigung des Werkzeugs und des Akkus und zu Körperverletzungen führen kann.

► Abb.2: 1. Rote Anzeige 2. Knopf 3. Akku

Ziehen Sie den Akku zum Abnehmen vom Werkzeug ab, während Sie den Knopf an der Vorderseite des Akkus verschieben.

Richten Sie zum Anbringen des Akkus dessen Führungsfeder auf die Nut im Gehäuse aus, und schieben Sie den Akku hinein. Schieben Sie ihn vollständig ein, bis er mit einem leisen Klicken einrastet. Wenn Sie die rote Anzeige sehen können, wie in der Abbildung gezeigt, ist der Akku nicht vollständig verriegelt.

⚠ VORSICHT: Schieben Sie den Akku stets bis zum Anschlag ein, bis die rote Anzeige nicht mehr sichtbar ist. Anderenfalls kann er aus dem Werkzeug herausfallen und Sie oder umstehende Personen verletzen.

⚠ VORSICHT: Unterlassen Sie Gewaltanwendung beim Anbringen des Akkus. Falls der Akku nicht reibungslos hineingeleitet, ist er nicht richtig ausgerichtet.

Werkzeug/Akku-Schutzsystem

Das Werkzeug ist mit einem Werkzeug/Akku-Schutzsystem ausgestattet. Dieses System schaltet die Stromversorgung des Motors automatisch ab, um die Lebensdauer von Werkzeug und Akku zu verlängern. Das Werkzeug bleibt während des Betriebs automatisch stehen, wenn das Werkzeug oder der Akku einer der folgenden Bedingungen unterliegt:

Überlastschutz

Wird das Werkzeug/der Akku auf eine Weise benutzt, die eine ungewöhnlich hohe Stromaufnahme bewirkt, bleibt das Werkzeug ohne jegliche Anzeige automatisch stehen. Schalten Sie in dieser Situation das Werkzeug aus, und brechen Sie die Arbeit ab, die eine Überlastung des Werkzeugs verursacht hat. Schalten Sie dann das Werkzeug wieder ein, um es neu zu starten.

Überhitzungsschutz

Wenn das Werkzeug oder der Akku überhitzt wird, bleibt das Werkzeug automatisch stehen, und die Lampe beginnt zu blinken. Lassen Sie das Werkzeug und den Akku in diesem Fall abkühlen, bevor Sie das Werkzeug wieder einschalten.

Überentladungsschutz

Wenn die Akkukapazität unzureichend wird, bleibt das Werkzeug automatisch stehen. Nehmen Sie in diesem Fall den Akku vom Werkzeug ab, und laden Sie ihn auf.

HINWEIS: Abhängig von der Umgebungstemperatur oder dem Typ und Zustand des Fetts ist die Wahrscheinlichkeit, dass das Schutzsystem aktiviert wird, größer.

Schutz gegen andere Ursachen

Das Schutzsystem ist auch für andere Ursachen ausgelegt, die eine Beschädigung des Werkzeugs bewirken könnten, und lässt das Werkzeug automatisch anhalten. Ergreifen Sie alle folgenden Maßnahmen, um die Ursachen zu beseitigen, wenn das Werkzeug vorübergehend zum Stillstand gekommen ist oder im Betrieb stehen geblieben ist.

1. Schalten Sie das Werkzeug aus und dann wieder ein, um es neu zu starten.
2. Laden Sie den/die Akku(s) auf oder tauschen Sie ihn/sie durch einen aufgeladenen Akku/aufgeladene Akkus aus.
3. Lassen Sie das Werkzeug und den/die Akku(s) abkühlen.

Falls durch die Wiederherstellung des Schutzsystems keine Besserung eintritt, wenden Sie sich an Ihre lokale Makita-Kundendienststelle.

Anzeigen der Akku-Restkapazität

Nur für Akkus mit Anzeige

► **Abb.3:** 1. Anzeigelampen 2. Prüftaste

Drücken Sie die Prüftaste am Akku, um die Akku-Restkapazität anzuzeigen. Die Anzeigelampen leuchten wenige Sekunden lang auf.

Anzeigelampen			Restkapazität
Erleuchtet	Aus	Blinkend	
			75% bis 100%
			50% bis 75%
			25% bis 50%
			0% bis 25%
			Den Akku aufladen.
			Möglicherweise liegt eine Funktionsstörung im Akku vor.

HINWEIS: Abhängig von den Benutzungsbedingungen und der Umgebungstemperatur kann die Anzeige geringfügig von der tatsächlichen Kapazität abweichen.

HINWEIS: Die erste (äußerste linke) Anzeigelampe blinkt, wenn das Akku-Schutzsystem aktiv ist.

Schalterfunktion

⚠ VORSICHT: Vergewissern Sie sich vor dem Einsetzen des Akkus in das Werkzeug stets, dass der Ein-Aus-Schalter ordnungsgemäß funktioniert und beim Loslassen in die AUS-Stellung zurückkehrt.

⚠ VORSICHT: Wenn Sie das Werkzeug nicht benutzen, drücken Sie den Auslösersperreknopf auf der Seite „A“ hinein, um den Auslöserschalter in der Stellung AUS zu verriegeln.

Um versehentliche Betätigung des Auslöserschalters zu verhüten, ist das Werkzeug mit einem Auslösersperreknopf ausgestattet.

Um das Werkzeug zu starten, drücken Sie den Auslösersperreknopf auf der Seite „B“ hinein, und betätigen Sie den Auslöserschalter.

Die Werkzeugdrehzahl erhöht sich durch verstärkte Druckausübung auf den Auslöserschalter. Zum Anhalten lassen Sie den Auslöserschalter los. Drücken Sie den Auslösersperreknopf nach der Benutzung stets auf der Seite „A“ hinein.

Für Dauerbetrieb betätigen Sie den Auslöserschalter, und drücken Sie dann den Arretierknopf hinein. Um das Werkzeug von der verriegelten Position aus zu stoppen, drücken Sie den Auslöserschalter bis zum Anschlag hinein, um ihn auszurasten.

► **Abb.4:** 1. Griffschalter 2. Arretierknopf
3. Auslösersperreknopf

Einschalten der Frontlampe

⚠ VORSICHT: Blicken Sie nicht direkt in die Lampe oder die Lichtquelle.

Drücken Sie den Lampenschalter, um die Lampe einzuschalten. Drücken Sie den Lampenschalter erneut, um die Lampe auszuschalten. Bleibt das Werkzeug bei abgestelltem Motor etwa 60 Sekunden lang unbenutzt, erlischt die Lampe.

► **Abb.5:** 1. Lampe 2. Lampenschalter

ANMERKUNG: Wischen Sie Schmutz auf der Lampenlinse mit einem trockenen Tuch ab. Achten Sie sorgfältig darauf, dass Sie die Lampenlinse nicht verkratzen, weil sich sonst die Lichtstärke verringert.

Auswählen des Geschwindigkeitsmodus

ANMERKUNG: Schalten Sie den Geschwindigkeitsmodus erst um, nachdem das Werkzeug zu einem vollständigen Stillstand gekommen ist.

Das Werkzeug besitzt einen Geschwindigkeitsmodus-Umschaltknopf. Drehen Sie den Knopf, so dass der Pfeil auf dem Knopf auf einen der beiden folgenden Modi zeigt.

1	Niedergeschwindigkeitsmodus: Fettabgabe bei konstanter niedriger Geschwindigkeit.
2	Geschwindigkeits-Automatikmodus: Fett wird unter automatischer Regulierung der Durchflussmenge gemäß dem Druck des Schmierziels abgegeben.

► **Abb.6:** 1. Geschwindigkeitsmodus-Umschaltknopf

Druckablassventil

Wenn der Innendruck im Werkzeug ein bestimmtes Niveau überschreitet, kommt Fett aus dem Druckablassventil heraus, um den Innendruck zu senken.

► **Abb.7:** 1. Druckablassventil

⚠ VORSICHT: Unterlassen Sie das Entfernen oder die Durchführung jeglicher Einstellungen des Druckablassventils.

⚠ VORSICHT: Entfernen Sie nicht die Abdeckung des Druckablassventils. Anderenfalls kann Schmierfett aus dem Druckablassventil heraus-spritzen und in Ihre Augen gelangen.

MONTAGE

⚠ VORSICHT: Vergewissern Sie sich vor der Ausführung von Arbeiten am Werkzeug stets, dass das Werkzeug ausgeschaltet und der Akku abgenommen ist.

Demontieren und Montieren des Zylinders

Um den Zylinder zu demontieren, schrauben Sie ihn heraus, wie dargestellt.

► **Abb.8:** 1. Zylinder

Um den Zylinder zu montieren, führen Sie ihn in das Werkzeug ein, und schrauben Sie ihn in umgekehrter Richtung ein.

► **Abb.9:** 1. Zylinder

Stangengriff

ANMERKUNG: Ziehen Sie nicht den Stangengriff bei geschlossenem Entlüftungsventil, während der Zylinder im Werkzeug installiert ist. Vergewissern Sie sich, dass das Entlüftungsventil geöffnet ist. Anderenfalls kann es zu einer Funktionsstörung kommen.

Ziehen Sie den Stangengriff, um Fett in den Zylinder einzufüllen.

► **Abb.10:** 1. Stangengriff 2. Stange

Um den vollständig gezogenen Stangengriff zu verriegeln, ziehen Sie den Stangengriff, bis die Nut an der Stange sichtbar ist, und hängen Sie dann die Nut in den Schlitz ein. Um den Stangengriff zu entriegeln, lösen Sie die Nut, so dass die Stange sich vorwärts bewegt.

► **Abb.11:** 1. Nut 2. Schlitz

⚠ VORSICHT: Vergewissern Sie sich, dass der Stangengriff fest verriegelt ist. Anderenfalls kann er versehentlich gelöst werden und Einklemmen verursachen.

Schlauchhalter

Der Schlauchhalter kann mit der Schraube auf beiden Seiten des Werkzeugs angebracht werden.

► **Abb.12:** 1. Schlauchhalter 2. Schraube

Umhängeriemen

⚠ WARNUNG: Verwenden Sie niemals die Riemenöse für die Schnur (Haltegurt). Anderenfalls kann es zu einer schweren Verletzung kommen, weil die Riemenöse nicht für eine Sicherheitsvorrichtung für Sturzprävention vorgesehen ist.

⚠ WARNUNG: Halten Sie beim Tragen des Werkzeugs immer das Werkzeug, selbst wenn Sie den Umhängeriemen verwenden. Wird das Werkzeug nur mit dem Umhängeriemen getragen, wird es instabil. Der Umhängeriemen kann abrutschen, oder das Werkzeug kann gegen andere Objekte stoßen und eine Verletzung verursachen.

Befestigen Sie die Haken des Umhängeriemens an den Halterungen der Riemenösen, wie in der Abbildung gezeigt.

► **Abb.13:** 1. Umhängeriemen 2. Haken 3. Halterung

BETRIEB

Fettzuführung

⚠ WARNUNG: Lesen Sie unbedingt die Gebrauchsanleitungen des Fetts und/oder anderer Instrumente durch, und ersetzen Sie den folgenden Inhalt nach Bedarf. Missbrauch oder Nichtbefolgung der Anweisungen kann das Werkzeug beschädigen oder eine Verletzung verursachen.

ANMERKUNG: Wenn der Zylinder noch alte Fettreste enthält, entfernen Sie den Zylinder, und stoßen Sie das alte Fett gemäß dem Abschnitt „Fettausstoß“ aus, bevor Sie den Zylinder benutzen.

Die folgenden Arten der Fettzuführung sind verfügbar:

Installieren einer Fettkartusche (im Fachhandel erhältlich) in den Zylinder

ANMERKUNG: (nur für A-Typ-Zylinder)

Verwenden Sie die Fettkartusche, deren Rand in die Endfläche des Zylinders eingehakt werden kann.

ANMERKUNG: (nur für Zylinder vom Typ B/Typ C)

Verwenden Sie die Fettkartusche, deren Rand in die Innenstufe des Zylinders eingehakt werden kann.

1. Öffnen Sie das Entlüftungsventil.

► **Abb.14:** 1. Ventil

2. Ziehen Sie den Stangengriff vollständig heraus, und verriegeln Sie ihn.

► **Abb.15:** 1. Nut 2. Stange 3. Stangengriff

3. Entfernen Sie den Zylinder vom Werkzeug.

► **Abb.16:** 1. Zylinder

4. Entfernen Sie die Plastikkappe der Fettkartusche, und setzen Sie die Fettkartusche in den Zylinder ein.

► **Abb.17:** 1. Fettkartusche (im Fachhandel erhältlich) 2. Zuglasche

5. Entfernen Sie die Zuglasche der Fettkartusche, und setzen Sie dann den Zylinder in das Werkzeug ein.

Falls eine Lücke zwischen dem Rand der Fettkartusche und dem Zylinder vorhanden ist, schrauben Sie den Zylinder in das Werkzeug ein, während Sie den Zylinder nach vorn schieben.

► **Abb.18**

6. Lösen Sie den Stangengriff.

► **Abb.19**

7. Stoßen Sie die im Fließweg des Schmierfetts verbleibende Luft aus.

► **Abb.20**

8. Schließen Sie das Entlüftungsventil, wenn Sie das Schmierfett aus der Öffnung austreten sehen.

► **Abb.21**

HINWEIS: Falls das Werkzeug das Schmierfett nicht genau ausgießen kann, befindet sich möglicherweise Luft im Fließweg des Schmierfetts. Öffnen Sie das Entlüftungsventil, und stoßen Sie die Luft aus. (Siehe den Abschnitt „Luftausstoß“.)

Einfüllen von Fett in den Zylinder von einem Großbehälter (im Fachhandel erhältlich)

1. Öffnen Sie das Entlüftungsventil.
2. Ziehen Sie den Stangengriff vollständig heraus, und verriegeln Sie ihn.
3. Entfernen Sie den Zylinder vom Werkzeug.
Entriegeln Sie den Stangengriff, und schieben Sie die Stange sachte nach vorn.
4. Tauchen Sie die Spitze des Zylinders in das Fett ein, und ziehen Sie dann den Stangengriff. Das Fett wird in den Zylinder hochgepumpt.
▶ **Abb.22:** 1. Großbehälter (im Fachhandel erhältlich)
5. Ziehen Sie den Stangengriff vollständig heraus, und verriegeln Sie ihn.
▶ **Abb.23**
6. Setzen Sie den Zylinder in das Werkzeug ein, und entriegeln Sie dann den Stangengriff.
7. Stoßen Sie die im Fließweg des Schmierfetts verbleibende Luft aus.
8. Schließen Sie das Entlüftungsventil, wenn Sie das Schmierfett aus der Öffnung austreten sehen.

ANMERKUNG: Vergewissern Sie sich beim Verriegeln des Stangengriffs, dass der Stangengriff fest verriegelt ist. Anderenfalls kann der Stangengriff unbeabsichtigt entriegelt werden, so dass Schmierfett aus dem Zylinder austritt.

HINWEIS: (nur für Zylinder vom Typ B/Typ C)

Die Schmierfett-Füllmenge sollte unterhalb der Gewindenutlinie liegen. Anderenfalls läuft Schmierfett über, wenn der Zylinder am Werkzeug montiert wird.

- ▶ **Abb.24:** 1. Zylinder (Typ B/Typ C) 2. Gewindenut 3. Schmierfett

HINWEIS: Falls das Werkzeug das Schmierfett nicht genau ausgießen kann, befindet sich möglicherweise Luft im Fließweg des Schmierfetts. Öffnen Sie das Entlüftungsventil, und stoßen Sie die Luft aus. (Siehe den Abschnitt „Luftausstoß“.)

Sie können Fett auch mithilfe einer am Großbehälter angebrachten Füllpumpe (im Fachhandel erhältlich) in den Zylinder einfüllen.

1. Entfernen Sie den Zylinder vom Werkzeug.
2. Wickeln Sie Gewindedichtband um den Gewindeteil des Ladernippels (im Fachhandel erhältlich).
3. Entfernen Sie den Einfüllöffnungsverschluss. Befestigen Sie einen Ladernippel an der Einfüllöffnung.
4. Installieren Sie den Zylinder am Werkzeug. (Der Stangengriff ist entriegelt.)

5. Vergewissern Sie sich, dass das Entlüftungsventil geschlossen ist.

Verbinden Sie den Ladernippel mit dem Nippel der Füllpumpe.

- ▶ **Abb.25:** 1. Einfüllöffnungsverschluss
2. Einfüllöffnung 3. Ladernippel (im Fachhandel erhältlich) 4. Füllpumpe (im Fachhandel erhältlich) 5. Nippel

6. Betätigen Sie die Füllpumpe. Die Stange des Stangengriffs wird herausgedrückt, während der Zylinder mit Fett gefüllt wird.

▶ **Abb.26**

7. Trennen Sie den Ladernippel vom Nippel der Füllpumpe.

8. Stoßen Sie die im Fließweg des Schmierfetts verbleibende Luft aus.

9. Schließen Sie das Entlüftungsventil, wenn Sie das Schmierfett aus der Öffnung austreten sehen.

⚠WARNUNG: Verwenden Sie nur einen Niederdruck-Ladernippel. Verwenden Sie niemals einen Hochdruck-Ladernippel, weil sonst das Werkzeug beschädigt und ein Personenschaden verursacht werden kann.

⚠VORSICHT: Halten Sie das Werkzeug mit festem Griff, wenn Sie das Schmierfett mit Hilfe einer Füllpumpe einfüllen. Anderenfalls kann das Werkzeug herunterfallen und eine Verletzung verursachen.

ANMERKUNG: Brechen Sie das Einfüllen des Schmierfetts ab, wenn Sie die Nut an der Stange sehen. Anderenfalls kann Schmierfettaustritt auftreten.

HINWEIS: Falls das Werkzeug das Schmierfett nicht genau ausgießen kann, befindet sich möglicherweise Luft im Fließweg des Schmierfetts. Öffnen Sie das Entlüftungsventil, und stoßen Sie die Luft aus. (Siehe den Abschnitt „Luftausstoß“.)

Luftausstoß

Falls Luft im Fließweg des Fetts verbleibt, kann das Werkzeug keine genaue Fettabgabe durchführen. Stoßen Sie die Luft vor jedem Gebrauch aus, und auch, wenn das Werkzeug aufgrund von Luft nicht richtig zu funktionieren scheint.

1. Um Luft aus dem Inneren des Werkzeugs auszustoßen, lösen Sie das Entlüftungsventil. Luft strömt aus der Entlüftungsöffnung aus.

2. Schließen Sie das Ventil, wenn Sie das Fett aus der Öffnung austreten sehen.

▶ **Abb.27:** 1. Ventil

⚠WARNUNG: Tragen Sie die Schutzbrille beim Entlüften.

⚠VORSICHT: Wischen Sie das Fett, das aus der Entlüftung herauskommt, mit einem trockenen Lappen oder dergleichen ab. Anderenfalls kann es Abrutschen verursachen, was zu einer Verletzung führen kann.

Fettabgabe

Stoßen Sie in den folgenden Fällen das alte Fett im Werkzeug vor Gebrauch aus;

- Wenn Sie das Werkzeug zum ersten Mal benutzen, oder;
- Wenn Sie einen anderen Fetttyp gegenüber dem vorherigen Gebrauch verwenden.

Nachdem das neue Fett in den Zylinder eingefüllt worden ist, lassen Sie das Werkzeug eine Weile laufen, bis das alte Fett aus dem Adapter ausgestoßen wird.

ANMERKUNG: Schließen Sie den Adapter nicht eher an den Schmiernippel an, bis das alte Fett ausgestoßen worden ist. Falls unterschiedliche Fettarten gemischt werden, kann sich die Schmierleistung des Fetts verschlechtern.

HINWEIS: Da das Werkzeug im Werk getestet worden ist, verbleibt eine kleine Menge des Fetts.

Führen Sie das folgende Verfahren durch, um das Fett abzugeben.

⚠ VORSICHT: Überprüfen Sie stets den Geschwindigkeitsmodus vor dem Betrieb.

ANMERKUNG: Bevor Sie den Adapter an den Schmiernippel anschließen, vergewissern Sie sich stets, dass das Werkzeug Fett ordnungsgemäß abgibt.

ANMERKUNG: Schließen Sie den Adapter nicht gewaltsam an den Schmiernippel an.

1. Wischen Sie den Adapter und den Schmiernippel vor dem Anschließen ab. Schieben Sie den Adapter gerade auf den Schmiernippel.

2. Betätigen Sie den Auslöseschalter, um das Fett abzugeben.

▶ **Abb.28**

3. Wenn die Fettabgabe beendet ist, entfernen Sie den Adapter vom Schmiernippel. Neigen Sie den Adapter leicht, um den Innendruck abzulassen, und entfernen Sie dann den Adapter vom Schmiernippel.

Wischen Sie das Fett von Adapter und Schmiernippel ab.

ANMERKUNG: Lassen Sie das Werkzeug nicht laufen, selbst nachdem der Fettvorrat erschöpft ist. Anderenfalls kann die Nutzungsdauer des Werkzeugs verkürzt werden.

HINWEIS: Falls das Werkzeug das Schmierfett nicht genau ausgießen kann, befindet sich möglicherweise Luft im Fließweg des Schmierfetts. Öffnen Sie das Entlüftungsventil, und stoßen Sie die Luft aus. (Siehe den Abschnitt „Luftausstoß“.)

HINWEIS: Falls der Innendruck ansteigt, während der Auslöseschalter nicht vollständig betätigt ist, wird das Schutzsystem aktiv, und der Motor bleibt stehen, obwohl das Werkzeug nicht den maximalen Betriebsdruck erreicht. Um das Fett unter hohem Druck einzuspritzen, betätigen Sie den Auslöseschalter vollständig.

HINWEIS: Das Werkzeug bleibt automatisch stehen, wenn es länger als 6 Minuten in Betrieb bleibt.

In dem Fall, dass das Werkzeug das Schmierfett nicht genau ausgießt

Falls das Werkzeug das Schmierfett nicht genau ausgießen kann, befindet sich möglicherweise Luft im Fließweg des Schmierfetts. Stoßen Sie die Luft gemäß dem folgenden Verfahren aus.

1. Öffnen Sie das Entlüftungsventil.

▶ **Abb.29:** 1. Ventil

2. Stoßen Sie die im Fließweg des Schmierfetts verbleibende Luft aus.

▶ **Abb.30**

3. Schließen Sie das Entlüftungsventil, wenn Sie das Schmierfett aus der Öffnung austreten sehen.

▶ **Abb.31**

WARTUNG

⚠ VORSICHT: Vergewissern Sie sich vor der Durchführung von Inspektions- oder Wartungsarbeiten stets, dass das Werkzeug ausgeschaltet und der Akku abgenommen ist.

ANMERKUNG: Verwenden Sie auf keinen Fall Benzin, Waschbenzin, Verdünnern, Alkohol oder dergleichen. Solche Mittel können Verfärbung, Verformung oder Rissbildung verursachen.

Um die SICHERHEIT und ZUVERLÄSSIGKEIT dieses Produkts zu gewährleisten, sollten Reparaturen und andere Wartungs- oder Einstellarbeiten nur von Makita-Vertragswerkstätten oder Makita-Kundendienstzentren unter ausschließlicher Verwendung von Makita-Originalersatzteilen ausgeführt werden.

Fettausstoß

Wenn Sie das Werkzeug lagern oder den Zylinder verwenden wollen, in dem noch Fett verbleibt, entfernen Sie den Zylinder, und stoßen Sie das alte Fett nach dem folgenden Verfahren aus.

1. Lösen Sie das Entlüftungsventil.

2. Ziehen Sie den Stangengriff vollständig heraus, und verriegeln Sie ihn.

3. Entfernen Sie den Zylinder vom Werkzeug.

4. Entriegeln Sie den Stangengriff. Halten Sie den Stangengriff fest, und schieben Sie ihn langsam vorwärts, damit das Fett aus dem Zylinder herauskommt.

⚠ VORSICHT: Nehmen Sie Ihre Hand nicht vom Stangengriff. Anderenfalls spritzt das Fett heftig heraus.

ANMERKUNG: Halten Sie Staub von der Innenseite des Zylinders fern. Anderenfalls kann das Werkzeug mit Staub verstopft werden.

ANMERKUNG: Reinigen Sie die Innenseite des Zylinders alle drei Monate.

SONDERZUBEHÖR

⚠ VORSICHT: Die folgenden Zubehöreile oder Vorrichtungen werden für den Einsatz mit dem in dieser Anleitung beschriebenen Makita-Werkzeug empfohlen. Die Verwendung anderer Zubehöreile oder Vorrichtungen kann eine Verletzungsgefahr darstellen. Verwenden Sie Zubehöreile oder Vorrichtungen nur für ihren vorgesehenen Zweck.

Wenn Sie weitere Einzelheiten bezüglich dieser Zubehöreile benötigen, wenden Sie sich bitte an Ihre Makita-Kundendienststelle.

- Adapter
- Flexibler Schlauch
- Zylinder
- Kartuschenzylinder
- Schulterriemen
- Verriegelungsadapter
- Winkeladapter
- Original-Makita-Akku und -Ladegerät

HINWEIS: Manche Teile in der Liste können als Standardzubehör im Werkzeugsatz enthalten sein. Sie können von Land zu Land unterschiedlich sein.

Austauschen des Adapters

Lösen und entfernen Sie den alten Adapter mit zwei Schraubenschlüsseln, wie dargestellt, und ziehen Sie dann den neuen Adapter sicher fest.

► **Abb.32**

HINWEIS: Falls Schmierfett an dem Verbindungsstück zwischen Schlauch und Adapter austritt, umwickeln Sie den Gewindeteil des Schlauchs mit Gewindedichtband, bevor Sie den Adapter anschließen.

Austauschen des flexiblen Schlauchs

Lösen und entfernen Sie den alten flexiblen Schlauch mit einem Schraubenschlüssel, wie dargestellt, und ziehen Sie dann den neuen flexiblen Schlauch sicher fest.

► **Abb.33**

⚠ VORSICHT: Ersetzen Sie gleichzeitig auch den am Verbindungsstück des neuen flexiblen Schlauchs angebrachten Gummiring. Falls Sie den flexiblen Schlauch ohne den Gummiring oder mit dem alten Gummiring austauschen, kann Fett austreten und eine Verletzung verursachen.

Wechseln des Zylinders

HINWEIS: Der Zylindertyp ist je nach Land unterschiedlich.

HINWEIS: Um einen Zylinder eines anderen Typs zu installieren, werden je nach dem Zylindertyp die nachstehend beschriebenen zusätzlichen Teile benötigt.

Wechseln des Zylinders von A-Typ zu B-Typ/C-Typ

1. Entfernen Sie den A-Typ-Zylinder.
2. Entfernen Sie die Schraube und dann die Manschette.
► **Abb.34:** 1. Manschette 2. Schraube
3. Führen Sie das Verbindungsstück mit der Gummidichtung ein, während Sie die Nase auf die Nut am Montagebauteil ausrichten, und sichern Sie es dann mit Schrauben.
4. Installieren Sie den B-Typ/C-Typ-Zylinder.
► **Abb.35:** 1. Verbindungsstück 2. Gummidichtung 3. Nase 4. Nut 5. Schraube

Wechseln des Zylinders von B-Typ/C-Typ zu A-Typ

1. Entfernen Sie den B-Typ/C-Typ-Zylinder.
2. Schrauben Sie das Verbindungsstück heraus, und nehmen Sie es ab.
► **Abb.36:** 1. Verbindungsstück 2. Gummidichtung 3. Schraube
3. Setzen Sie die Manschette in das Werkzeuggehäuse ein, und sichern Sie sie dann mit einer Schraube.
4. Installieren Sie den A-Typ-Zylinder.
► **Abb.37:** 1. Manschette 2. Schraube

Kartuschenzylinder

Die Fettkartusche ist durch die Öffnung im Kartuschenzylinder sichtbar.

► **Abb.38**

Wenn Sie den Kartuschenzylinder benutzen, übertragen Sie die Kolbenteile von dem entsprechenden Zylinder zu dem Kartuschenzylinder.

► **Abb.39:** 1. Kolbenteile 2. Kartuschenzylinder

Falls sich der Stangengriff nur schwer herausziehen lässt, folgen Sie dem nachstehenden Verfahren.

1. Führen Sie die leere Fettkartusche in den Zylinder ein.
► **Abb.40:** 1. Leere Fettkartusche
2. Ziehen Sie den Stangengriff, und verriegeln Sie ihn.
► **Abb.41**
3. Entfernen Sie die leere Fettkartusche vom Zylinder.

Verriegelungsadapter

⚠ VORSICHT: Achten Sie darauf, dass Ihr Finger nicht in dem Verriegelungsadapter eingeklemmt wird.

⚠ VORSICHT: Tragen Sie eine Schutzbrille.

Wenn Sie den Verriegelungsadapter vom Schmiernippel entfernen, kann das Schmierfett aus dem Werkzeug herausstritzen und eine Verletzung verursachen.

Schieben Sie den Verriegelungsadapter zum Anschließen gerade auf den Schmiernippel, während Sie den Hebel des Verriegelungsadapters drücken, und lassen Sie dann den Hebel los.

► **Abb.42:** 1. Hebel 2. Verriegelungsadapter

Nehmen Sie zum Zusammenbauen des Verriegelungsadapters auf den Abschnitt zum Austauschen des Adapters Bezug.

Winkeladapter

Wenn Sie den Winkeladapter anbringen, schieben Sie den Winkeladapter gerade auf den Adapter des Werkzeugs.

► **Abb.43:** 1. Winkeladapter

HINWEIS: Der Winkeladapter wird für die Fetteinspritzung bei relativ niedrigem Druck empfohlen, z. B. für den Austausch von altem Schmierfett in Gelenken oder Gleitteilen von schweren Maschinen und Fahrzeugen.

FEHLERSUCHE

Bevor Sie den Reparaturdienst anrufen, führen Sie zunächst Ihre eigene Inspektion durch. Falls Sie ein Problem finden, das nicht in der Anleitung erläutert wird, versuchen Sie nicht, das Werkzeug zu zerlegen. Wenden Sie sich stattdessen an autorisierte Makita-Kundendienstzentren, und achten Sie darauf, dass stets Makita-Ersatzteile für Reparaturen verwendet werden.

Zustand der Unregelmäßigkeit	Wahrscheinliche Ursache (Funktionsstörung)	Abhilfemaßnahme
Das Werkzeug gießt kein Schmierfett aus.	Luft ist im Fließweg des Schmierfetts vorhanden.	Um Luft aus dem Inneren des Werkzeugs auszustoßen, öffnen Sie das Entlüftungsventil.
	Das Entlüftungsventil ist geöffnet.	Schließen Sie das Entlüftungsventil.
	Die Konsistenz des Schmierfetts ist hoch.	Verwenden Sie Schmierfett NLGI Nr.0 - Nr.2.
	Das Schmierfett ist aufgrund niedriger Umgebungs-/Lagerungstemperatur hart.	Erwärmen Sie das Schmierfett vor Gebrauch.
Es ist kein Schmierfett im Werkzeug.	Es ist kein Schmierfett im Werkzeug.	Füllen Sie Schmierfett in das Werkzeug ein.
	Das Entlüftungsventil ist geschlossen.	Öffnen Sie das Entlüftungsventil.
Der Stangengriff lässt sich nicht ziehen.	Das Entlüftungsventil ist geschlossen.	Öffnen Sie das Entlüftungsventil.
	Am Schmierfett-Einspritzanschluss (Schmiernippel) ist Verschleiß, Beschädigung oder Staub vorhanden.	Reinigen oder ersetzen Sie den Schmierfett-Einspritzanschluss (Schmiernippel).
Schmierfett tritt am Adapter aus.	Der Adapter ist abgenutzt.	Ersetzen Sie den Adapter.
	Am Schmierfett-Einspritzanschluss (Schmiernippel) ist Verschleiß, Beschädigung oder Staub vorhanden.	Reinigen oder ersetzen Sie den Schmierfett-Einspritzanschluss (Schmiernippel).
	Das Entlüftungsventil ist nicht weit genug geöffnet.	Öffnen Sie das Entlüftungsventil weiter.
Beim Ausstoßen der Luft tritt kein Schmierfett aus dem Entlüftungsventil aus.	Das Entlüftungsventil ist nicht weit genug geöffnet.	Öffnen Sie das Entlüftungsventil weiter.
	Das Schmierfett ist hart.	Die Luft ist möglicherweise schon ausgestoßen worden. Schließen Sie das Entlüftungsventil, setzen Sie den Akku ein, und schalten Sie dann das Werkzeug ein, um zu prüfen, ob das Werkzeug Schmierfett ausgießt.

DATI TECNICI

Modello:		DGP180
Tensione nominale		18 V CC
Capacità del grasso (con cilindro tipo A)	Cartuccia	410 g
	Sfuso	455 g
Capacità del grasso (con cilindro tipo B)	Cartuccia	450 g
	Sfuso	570 g
Pressione di esercizio massima		69 MPa
Portata massima	Modalità a bassa velocità	145 ml/min
	Modalità a velocità automatica	290 ml/min
Tipo di grasso idoneo		NLGI 0 - 2
Lunghezza del tubo flessibile		1.200 mm
Lunghezza totale	Con cilindro tipo A	411 mm
	Con cilindro tipo B	449 mm
Peso netto		Da 4,8 a 6,1 kg

NOTA: Il tipo di cilindro (tipo A o tipo B) varia a seconda della nazione.

- A causa del nostro programma continuativo di ricerca e sviluppo, i dati tecnici sono soggetti a modifiche senza preavviso.
- I dati tecnici e la cartuccia della batteria potrebbero differire da nazione a nazione.
- Il peso può variare a seconda dell'accessorio o degli accessori, inclusa la cartuccia della batteria. La combinazione più leggera e quella più pesante, secondo la procedura EPTA 01/2014, sono indicate nella tabella.

Cartuccia della batteria e caricabatterie applicabili

Cartuccia della batteria	BL1815N / BL1820B / BL1830B / BL1840B / BL1850B / BL1860B
Caricabatterie	DC18RC / DC18RD / DC18RE / DC18SD / DC18SE / DC18SF / DC18SH

- Alcune cartucce delle batterie e alcuni caricabatterie elencati sopra potrebbero non essere disponibili a seconda della propria area geografica di residenza.

AVVERTIMENTO: Utilizzare solo le cartucce delle batterie e i caricabatterie elencati sopra. L'utilizzo di altre cartucce delle batterie e di altri caricabatterie potrebbe causare lesioni personali e/o un incendio.

Utilizzo previsto

Questo utensile è destinato all'erogazione di grasso.

Rumore

Livello tipico di rumore pesato A determinato in base allo standard EN62841-1:

Livello di pressione sonora (L_{pA}): 76 dB (A)

Incertezza (K): 3 dB (A)

NOTA: Il valore o i valori dichiarati delle emissioni di rumori sono stati misurati in conformità a un metodo standard di verifica, e possono essere utilizzati per confrontare un utensile con un altro.

NOTA: Il valore o i valori dichiarati delle emissioni di rumori possono venire utilizzati anche per una valutazione preliminare dell'esposizione.

AVVERTIMENTO: Indossare protezioni per le orecchie.

AVVERTIMENTO: L'emissione di rumori durante l'utilizzo effettivo dell'utensile elettrico può variare rispetto al valore o ai valori dichiarati, a seconda dei modi in cui viene utilizzato l'utensile e specialmente a seconda di che tipo di pezzo venga lavorato.

AVVERTIMENTO: Accertarsi di identificare misure di sicurezza per la protezione dell'operatore che siano basate su una stima dell'esposizione nelle condizioni effettive di utilizzo (tenendo conto di tutte le parti del ciclo operativo, ad esempio del numero di spegnimenti dell'utensile e di quando giri a vuoto, oltre al tempo di attivazione).

Vibrazioni

Valore totale delle vibrazioni (somma vettoriale triassiale) determinato in base allo standard EN62841-1: Emissione di vibrazioni (a_{h1}): 2,5 m/s² o inferiore
Incertezza (K): 1,5 m/s²

NOTA: Il valore o i valori complessivi delle vibrazioni dichiarati sono stati misurati in conformità a un metodo standard di verifica, e possono essere utilizzati per confrontare un utensile con un altro.

NOTA: Il valore o i valori complessivi delle vibrazioni dichiarati possono venire utilizzati anche per una valutazione preliminare dell'esposizione.

⚠AVVERTIMENTO: L'emissione delle vibrazioni durante l'utilizzo effettivo dell'utensile elettrico può variare rispetto al valore o ai valori dichiarati, a seconda dei modi in cui viene utilizzato l'utensile, specialmente a seconda di che tipo di pezzo venga lavorato.

⚠AVVERTIMENTO: Accertarsi di identificare misure di sicurezza per la protezione dell'operatore che siano basate su una stima dell'esposizione nelle condizioni effettive di utilizzo (tenendo conto di tutte le parti del ciclo operativo, ad esempio del numero di spegnimenti dell'utensile e di quando giri a vuoto, oltre al tempo di attivazione).

Dichiarazione di conformità CE

Solo per i paesi europei

La dichiarazione di conformità CE è inclusa nell'Allegato A al presente manuale di istruzioni.

AVVERTENZE DI SICUREZZA

Avvertenze generali relative alla sicurezza dell'utensile elettrico

⚠AVVERTIMENTO: Leggere tutte le avvertenze di sicurezza, le istruzioni, le illustrazioni e i dati tecnici forniti con il presente utensile elettrico. La mancata osservanza di tutte le istruzioni elencate di seguito potrebbe risultare in scosse elettriche, incendi e/o gravi lesioni personali.

Conservare tutte le avvertenze e le istruzioni come riferimento futuro.

Il termine "utensile elettrico" nelle avvertenze si riferisce sia all'utensile elettrico (cablato) nel funzionamento alimentato da rete elettrica che all'utensile elettrico (a batteria) nel funzionamento alimentato a batteria.

Avvertenze di sicurezza relative all'ingrassatore a batteria

1. **Tenere l'utensile ben fermo in mano.**
2. **Non far funzionare l'utensile in prossimità di fiamme esposte.** Il grasso potrebbe essere infiammabile.
3. **Utilizzare esclusivamente grasso conforme ai dati tecnici indicati nel presente manuale d'uso.** L'installazione di un tipo di grasso diverso o di qualsiasi materiale diverso dal grasso potrebbe causare un guasto.
4. **Non installare materiali diversi dal grasso, ad esempio olio.** Tali materiali potrebbero schizzare fuori dall'utensile e finire negli occhi.
5. **Non trasportare l'utensile mantenendolo per il tubo flessibile o per la maniglia dell'asta.**
6. **Durante l'utilizzo dell'utensile, indossare degli occhiali.**
7. **Prima di ciascun utilizzo, controllare il tubo flessibile.** Non utilizzare il tubo flessibile, qualora sia attorcigliato o danneggiato. In caso contrario, il tubo flessibile potrebbe rompersi a causa della pressione elevata, e il grasso potrebbe finire negli occhi.
8. **Accertarsi che l'asta sia fissata saldamente.** L'asta potrebbe spostarsi accidentalmente e pizzicare qualcosa.
9. **Prima dell'uso, leggere e seguire le istruzioni del produttore del grasso.**
10. **Tenere le mani e gli indumenti lontani dall'asta della maniglia.** In caso contrario, le dita o gli indumenti potrebbero venire pizzicati.
11. **Pulire il grasso depositato sull'utensile.** In caso contrario, il grasso potrebbe causare uno scivolamento e risultare in lesioni personali.
12. **Non piegare forzatamente né schiacciare il tubo flessibile.** In caso contrario, si potrebbe causare la rottura o la deformazione del tubo flessibile.
13. **Non puntare l'adattatore verso alcuna persona nelle vicinanze.**
14. **Utilizzare esclusivamente il tubo flessibile specificato da Makita.** L'utilizzo di qualsiasi altro tubo flessibile potrebbe presentare il rischio di lesioni personali.

CONSERVARE LE PRESENTI ISTRUZIONI.

Istruzioni di sicurezza importanti per la cartuccia della batteria

1. **Prima di utilizzare la cartuccia della batteria, leggere tutte le istruzioni e le avvertenze riportate (1) sul caricabatteria, (2) sulla batteria e (3) sul prodotto che utilizza la batteria.**
2. **Non smantellare né manomettere la cartuccia della batteria.** In caso contrario, si potrebbe causare un incendio, calore eccessivo o un'esplosione.
3. **Qualora il tempo di utilizzo si riduca eccessivamente, interrompere immediatamente l'utilizzo dell'utensile.** In caso contrario, si può incorrere nel rischio di surriscaldamento, possibili ustioni e persino un'esplosione.

4. Qualora l'elettrolita entri in contatto con gli occhi, sciacquarli con acqua pulita e richiedere immediatamente assistenza medica. Questa eventualità può risultare nella perdita della vista.
5. Non cortocircuitare la cartuccia della batteria:
 - (1) Non toccare i terminali con alcun materiale conduttivo.
 - (2) Evitare di conservare la cartuccia della batteria in un contenitore insieme ad altri oggetti metallici quali chiodi, monete, e così via.
 - (3) Non esporre la cartuccia della batteria all'acqua o alla pioggia.

Un cortocircuito della batteria può causare un grande flusso di corrente, un surriscaldamento, possibili ustioni e persino un guasto.
6. Non conservare e utilizzare l'utensile e la cartuccia della batteria in ubicazioni in cui la temperatura possa raggiungere o superare i 50°C.
7. Non incenerire la cartuccia della batteria anche qualora sia gravemente danneggiata o completamente esaurita. La cartuccia della batteria può esplodere se a contatto con il fuoco.
8. Non inchiodare, tagliare, schiacciare, lanciare o far cadere la cartuccia della batteria, né farla urtare con forza contro un oggetto duro. Questi comportamenti potrebbero risultare in un incendio, calore eccessivo o un'esplosione.
9. Non utilizzare una batteria danneggiata.
10. Le batterie a ioni di litio contenute sono soggette ai requisiti del regolamento sul trasporto di merci pericolose (Dangerous Goods Legislation).
Per trasporti commerciali, ad esempio da parte di terzi o spedizionieri, è necessario osservare dei requisiti speciali sull'imballaggio e sull'etichetta. Per la preparazione dell'articolo da spedire, è richiesta la consulenza di un esperto in materiali pericolosi. Attenersi anche alle normative nazionali, che potrebbero essere più dettagliate.
Nastrare o coprire i contatti aperti e imballare la batteria in modo tale che non si possa muovere liberamente all'interno dell'imballaggio.
11. Quando si intende smaltire la cartuccia della batteria, rimuoverla dall'utensile e smaltirla in un luogo sicuro. Attenersi alle normative locali relative allo smaltimento della batteria.
12. Utilizzare le batterie esclusivamente con i prodotti specificati da Makita. L'installazione delle batterie in prodotti non compatibili potrebbe risultare in incendi, calore eccessivo, esplosioni o perdite di liquido elettrolitico.
13. Se l'utensile non viene utilizzato per un periodo di tempo prolungato, la batteria deve essere rimossa dall'utensile.
14. Durante e dopo l'uso, la cartuccia della batteria potrebbe assorbire calore, che può causare ustioni o ustioni a bassa temperatura. Fare attenzione a come si maneggiano le cartucce delle batterie estremamente calde.
15. Non toccare i terminali dell'utensile subito dopo l'uso, in quanto potrebbero diventare estremamente caldi al punto da causare ustioni.
16. Evitare di far incastrare schegge, polveri o terreno nei terminali, nei fori e nelle scanalature della cartuccia della batteria. In caso contrario, l'utensile o la cartuccia della batteria potrebbero riscaldarsi, prendere fuoco, scoppiare o guastarsi, causando ustioni o lesioni personali.
17. A meno che l'utensile supporti l'uso in prossimità di linee elettriche ad alta tensione, non utilizzare la cartuccia della batteria in prossimità di linee elettriche ad alta tensione. In caso contrario, si potrebbe causare un malfunzionamento o la rottura dell'utensile o della cartuccia della batteria.
18. Tenere la batteria lontana dai bambini.

CONSERVARE LE PRESENTI ISTRUZIONI.

⚠ATTENZIONE: Utilizzare solo batterie originali Makita. L'utilizzo di batterie Makita non originali, o di batterie che siano state alterate, potrebbe risultare nello scoppio della batteria, causando incendi, lesioni personali e danni. Inoltre, ciò potrebbe invalidare la garanzia Makita per l'utensile e il caricabatterie Makita.

Suggerimenti per preservare la durata massima della batteria

1. Caricare la cartuccia della batteria prima che si scarichi completamente. Smettere sempre di utilizzare l'utensile e caricare la cartuccia della batteria quando si nota che la potenza dell'utensile è diminuita.
2. Non ricaricare mai una cartuccia della batteria completamente carica. La sovraccarica riduce la vita utile della batteria.
3. Caricare la cartuccia della batteria a una temperatura ambiente compresa tra 10 °C e 40 °C. Lasciar raffreddare una cartuccia della batteria prima di caricarla.
4. Quando non si utilizza la cartuccia della batteria, rimuoverla dall'utensile o dal caricabatterie.
5. Caricare la cartuccia della batteria se non la si è utilizzata per un periodo di tempo prolungato (più di sei mesi).

DESCRIZIONE DELLE PARTI

► Fig.1

1	Interruttore a grilletto	2	Pulsante di blocco	3	Interruttore della lampadina
4	Lampadina	5	Pulsante di blocco del grilletto	6	Manopola di modifica della modalità di velocità
7	Scarico dell'aria	8	Tappo dell'apertura di riempimento	9	Tubo flessibile
10	Adattatore	11	Foro per la tracolla	12	Cartuccia della batteria
13	Cilindro	14	Maniglia dell'asta	15	Supporto per tubo flessibile
16	Valvola limitatrice di pressione	17	Tracolla	-	-

DESCRIZIONE DELLE FUNZIONI

⚠ATTENZIONE: Accertarsi sempre che l'utensile sia spento e che la cartuccia della batteria sia stata rimossa prima di regolare o di controllare il funzionamento dell'utensile.

Installazione o rimozione della cartuccia della batteria

⚠ATTENZIONE: Spegnerne sempre l'utensile prima di installare o rimuovere la cartuccia della batteria.

⚠ATTENZIONE: Mantenere saldamente lo strumento e la batteria quando si intende installare o rimuovere la cartuccia della batteria. Qualora non si mantengano saldamente lo strumento e la cartuccia della batteria, questi ultimi potrebbero scivolare dalle mani, con la possibilità di causare un danneggiamento dello strumento e della cartuccia della batteria, nonché una lesione personale.

► Fig.2: 1. Indicatore rosso 2. Pulsante 3. Cartuccia della batteria

Per rimuovere la cartuccia della batteria, farla scorrere via dall'utensile mentre si fa scorrere allo stesso tempo il pulsante sulla parte anteriore della cartuccia.

Per installare la cartuccia della batteria, allineare la linguetta sulla cartuccia della batteria con la scanalatura nell'alloggiamento e farla scivolare in sede. Inserirli completamente fino al suo blocco in sede con un leggero scatto. Se è possibile vedere l'indicatore rosso, come indicato nella figura, non è bloccata completamente.

⚠ATTENZIONE: Installare sempre fino in fondo la cartuccia della batteria, fino a quando l'indicatore rosso non è più visibile. In caso contrario, la batteria potrebbe cadere accidentalmente dall'utensile, causando lesioni personali all'operatore o a chi gli è vicino.

⚠ATTENZIONE: Non installare forzatamente la cartuccia della batteria. Qualora la batteria non si inserisca scorrendo agevolmente, vuol dire che non viene inserita correttamente.

Sistema di protezione strumento/batteria

L'utensile è dotato di un sistema di protezione dell'utensile stesso e della batteria. Tale sistema interrompe automaticamente l'alimentazione al motore per prolungare la vita utile dell'utensile e della batteria. L'utensile si arresta automaticamente durante il funzionamento, qualora l'utensile o la batteria vengano a trovarsi in una delle condizioni seguenti:

Protezione dal sovraccarico

Quando l'utensile o la batteria vengono utilizzati in modo tale da causare un assorbimento di corrente elevato in modo anomalo, l'utensile si arresta automaticamente senza alcuna indicazione. In tale situazione, spegnere l'utensile e interrompere l'applicazione che ha causato il sovraccarico dell'utensile. Quindi, accendere l'utensile per ricominciare.

Protezione dal surriscaldamento

Quando l'utensile o la batteria sono surriscaldati, l'utensile si arresta automaticamente e la lampada lampeggia. In tal caso, lasciar raffreddare l'utensile e la batteria prima di riaccendere l'utensile.

Protezione dalla sovrascarica

Quando la carica della batteria non è sufficiente, l'utensile si arresta automaticamente. In tal caso, rimuovere la batteria dall'utensile e ricaricarla.

NOTA: Il sistema di protezione potrebbe attivarsi con una maggiore probabilità, a seconda della temperatura ambiente o del tipo e della condizione del grasso.

Protezione da altre cause

Il sistema di protezione è progettato anche per altre cause che potrebbero danneggiare l'utensile, e consente a quest'ultimo di arrestarsi automaticamente. Quando l'utensile è stato portato a un'interruzione temporanea o a un arresto del funzionamento, adottare tutte le misure seguenti per rimuovere le cause.

1. Spegnerne l'utensile, quindi riaccenderlo per ricominciare.
2. Caricare la batteria o le batterie, oppure sostituirla/sostituirle con una batteria o delle batterie ricaricate.
3. Lasciar raffreddare l'utensile e la batteria o le batterie.

Qualora non si riscontri alcun miglioramento ripristinando il sistema di protezione, contattare il proprio centro di assistenza Makita locale.

Indicazione della carica residua della batteria

Solo per cartucce delle batterie dotate di indicatore

► Fig.3: 1. Indicatori luminosi 2. Pulsante di controllo

Premere il pulsante di controllo sulla cartuccia della batteria per indicare la carica residua della batteria. Gli indicatori luminosi si illuminano per alcuni secondi.

Indicatori luminosi			Carica residua
■	□	▧	
Illuminato	Spento	Lampeggiante	
■ ■ ■ ■			Dal 75% al 100%
■ ■ ■ □			Dal 50% al 75%
■ ■ □ □			Dal 25% al 50%
■ □ □ □			Dallo 0% al 25%
▧ □ □ □			Caricare la batteria.
■ ■ □ □			La batteria potrebbe essersi guastata.
□ □ ■ ■			

NOTA: A seconda delle condizioni d'uso e della temperatura ambiente, l'indicazione potrebbe variare leggermente rispetto alla carica effettiva.

NOTA: Il primo indicatore luminoso (all'estremità sinistra) lampeggia quando il sistema di protezione della batteria è in funzione.

Utilizzo dell'interruttore

ATTENZIONE: Prima di inserire la cartuccia della batteria nell'utensile, controllare sempre che l'interruttore a grilletto funzioni correttamente e torni sulla posizione "OFF" quando viene rilasciato.

ATTENZIONE: Quando non si intende utilizzare l'utensile, far rientrare il pulsante di blocco del grilletto premendolo dal lato "A" per bloccare l'interruttore a grilletto nella posizione di spegnimento.

Per evitare che l'interruttore a grilletto venga premuto accidentalmente, è fornito un pulsante di blocco del grilletto.

Per avviare l'utensile, far rientrare il pulsante di blocco del grilletto premendolo dal lato "B", quindi premere l'interruttore a grilletto.

La velocità dell'utensile viene aumentata incrementando la pressione sull'interruttore a grilletto. Per arrestare l'utensile, rilasciare l'interruttore a grilletto. Dopo l'uso, far sempre rientrare il pulsante di blocco del grilletto premendolo dal lato "A".

Per il funzionamento continuo, premere l'interruttore a grilletto, quindi far rientrare il pulsante di blocco premendolo. Per arrestare l'utensile dalla posizione bloccata, premere fino in fondo l'interruttore a grilletto per sbloccarlo.

► Fig.4: 1. Interruttore a grilletto 2. Pulsante di blocco 3. Pulsante di blocco del grilletto

Accensione della lampadina anteriore

ATTENZIONE: Non osservare né guardare direttamente la fonte di luce.

Per far illuminare la lampadina, premere l'interruttore della lampadina. Per spegnere la lampadina, premere di nuovo l'interruttore della lampadina. Qualora l'utensile venga lasciato inutilizzato per circa 60 secondi con il motore arrestato, la lampadina si spegne.

► Fig.5: 1. Lampadina 2. Interruttore della lampadina

AVVISO: Per pulire la sporcizia dalla lente della lampadina, utilizzare un panno asciutto. Fare attenzione a non graffiare la lente della lampadina, altrimenti si potrebbe ridurre l'illuminazione.

Selezione della modalità di velocità

AVVISO: Cambiare la modalità di velocità solo dopo l'arresto completo dell'utensile.

L'utensile utilizza una manopola di modifica della modalità di velocità. Ruotare la manopola in modo che la freccia su quest'ultima punti verso una delle due modalità seguenti:

1	Modalità a bassa velocità: per erogare il grasso a velocità bassa e costante.
2	Modalità a velocità automatica: per applicare il grasso variando automaticamente la portata in base alla pressione della fonte di alimentazione.

► Fig.6: 1. Manopola di modifica della modalità di velocità

Valvola limitatrice di pressione

Quando la pressione interna nell'utensile supera un determinato livello, il grasso fuoriesce dalla valvola limitatrice di pressione per ridurre la pressione interna.

► Fig.7: 1. Valvola limitatrice di pressione

ATTENZIONE: Non rimuovere né apportare alcuna regolazione alla valvola limitatrice di pressione.

ATTENZIONE: Non rimuovere la copertura della valvola limitatrice di pressione. In caso contrario, il grasso potrebbe schizzare fuori dalla valvola limitatrice di pressione e finire negli occhi.

MONTAGGIO

⚠ATTENZIONE: Accertarsi sempre che l'utensile sia spento e che la cartuccia della batteria sia stata rimossa, prima di effettuare qualsiasi intervento sull'utensile.

Rimozione o installazione del cilindro

Per rimuovere il cilindro, ruotarlo come illustrato nella figura.

► **Fig.8:** 1. Cilindro

Per installare il cilindro, inserirlo nell'utensile, quindi ruotarlo in senso opposto.

► **Fig.9:** 1. Cilindro

Maniglia dell'asta

AVVISO: Non tirare la maniglia dell'asta con la valvola di scarico dell'aria serrata mentre il cilindro è installato nell'utensile. Accertarsi che la valvola di scarico dell'aria sia allentata. La mancata osservanza di questa indicazione potrebbe causare un malfunzionamento.

Tirare la maniglia dell'asta quando si intende installare il grasso nel cilindro.

► **Fig.10:** 1. Maniglia dell'asta 2. Asta

Per bloccare la maniglia dell'asta in posizione completamente tirata, tirare la maniglia dell'asta fino a poter vedere la scanalatura sull'asta, quindi agganciare la scanalatura nell'incavo. Per sbloccare la maniglia dell'asta, sganciare la scanalatura in modo che l'asta si muova in avanti.

► **Fig.11:** 1. Scanalatura 2. Incavo

⚠ATTENZIONE: Accertarsi che la maniglia dell'asta sia bloccata saldamente. In caso contrario, l'asta potrebbe sbloccarsi accidentalmente e pizzicare qualcosa.

Supporto per tubo flessibile

È possibile installare il supporto per tubo flessibile da un lato o dall'altro dell'utensile con la vite.

► **Fig.12:** 1. Supporto per tubo flessibile 2. Vite

Tracolla

⚠AVVERTIMENTO: Non utilizzare mai il foro per la tracolla per applicare un cordino (cinghia di sicurezza). In caso contrario, si potrebbero causare gravi lesioni personali, poiché il foro per la tracolla non è destinato a un dispositivo di sicurezza anticaduta.

⚠AVVERTIMENTO: Quando si intende trasportare l'utensile, continuare a mantenerlo, anche quando si utilizza la tracolla. Il trasporto dell'utensile utilizzando solo la tracolla lo rende instabile. La tracolla potrebbe staccarsi o l'utensile potrebbe colpire altri oggetti e causare lesioni personali.

Fissare i ganci della tracolla agli attacchi dei fori per la tracolla, come indicato nella figura.

► **Fig.13:** 1. Tracolla 2. Gancio 3. Attacco

FUNZIONAMENTO

Fonte di alimentazione del grasso

⚠AVVERTIMENTO: Accertarsi di leggere i manuali d'uso del grasso e/o degli altri strumenti e sostituire i contenuti seguenti, se necessario. L'uso improprio o la mancata osservanza delle istruzioni potrebbero causare danni all'utensile o lesioni personali.

AVVISO: Quando si intende utilizzare un cilindro con residui di grasso vecchio, rimuovere il cilindro ed espellere il grasso vecchio attenendosi alla sezione relativa all'espulsione del grasso.

Per fornire il grasso, sono disponibili i metodi seguenti:

Installazione di una cartuccia del grasso (disponibile in commercio) nel cilindro

AVVISO: (Solo per il cilindro tipo A)

Utilizzare una cartuccia del grasso con un orlo che possa essere agganciato alla superficie all'estremità del cilindro.

AVVISO: (Solo per il cilindro tipo B o tipo C.)

Utilizzare una cartuccia del grasso con un orlo che possa essere agganciato al gradino all'interno del cilindro.

1. Allentare la valvola di scarico dell'aria.

► **Fig.14:** 1. Valvola

2. Tirare completamente la maniglia dell'asta e bloccarla.

► **Fig.15:** 1. Scanalatura 2. Asta 3. Maniglia dell'asta

3. Rimuovere il cilindro dall'utensile.

► **Fig.16:** 1. Cilindro

4. Rimuovere il cappuccio in plastica della cartuccia del grasso e inserire quest'ultima nel cilindro.

► **Fig.17:** 1. Cartuccia del grasso (disponibile in commercio) 2. Linguetta a strappo

5. Rimuovere la linguetta a strappo della cartuccia del grasso, quindi installare il cilindro nell'utensile.

Qualora sia presente uno spazio vuoto tra l'orlo della cartuccia del grasso e il cilindro, avvitare il cilindro nell'utensile premendo al tempo stesso il cilindro in avanti.

► **Fig.18**

6. Sbloccare la maniglia dell'asta.

► **Fig.19**

7. Espellere l'aria residua nel percorso del flusso del grasso.

► **Fig.20**

8. Quando si vede fuoriuscire il grasso dal foro, serrare la valvola di scarico dell'aria.

► **Fig.21**

NOTA: Qualora l'utensile non riesca a versare il grasso in modo accurato, potrebbe essere presente aria residua nel percorso del flusso del grasso. Allentare la valvola di scarico dell'aria ed espellere l'aria (fare riferimento alla sezione relativa all'espulsione dell'aria).

Riempimento del cilindro con il grasso da un fusto di grasso sfuso (disponibile in commercio)

1. Allentare la valvola di scarico dell'aria.
2. Tirare completamente la maniglia dell'asta e bloccarla.
3. Rimuovere il cilindro dall'utensile.

Sbloccare la maniglia dell'asta e spostare l'asta in avanti delicatamente.

4. Immergere la punta del cilindro nel grasso, quindi tirare la maniglia dell'asta. Il grasso viene pompato nel cilindro.

► **Fig.22:** 1. Fusto di grasso sfuso (disponibile in commercio)

5. Tirare completamente la maniglia dell'asta e bloccarla.
- **Fig.23**

6. Installare il cilindro nell'utensile, quindi sbloccare la maniglia dell'asta.

7. Espellere l'aria residua nel percorso del flusso del grasso.

8. Quando si vede fuoriuscire il grasso dal foro, serrare la valvola di scarico dell'aria.

AVVISO: Quando si intende bloccare la maniglia dell'asta, accertarsi che la maniglia dell'asta sia bloccata saldamente. In caso contrario, qualora la maniglia dell'asta si sblocchi accidentalmente, il grasso fuoriesce dal cilindro.

NOTA: (solo per cilindro tipo B o tipo C)

Il livello di riempimento del grasso deve essere al di sotto della linea della filettatura. In caso contrario, il grasso fuoriesce quando si installa il cilindro nell'utensile.

► **Fig.24:** 1. Cilindro (tipo B o tipo C) 2. Filettatura 3. Grasso

NOTA: Qualora l'utensile non riesca a versare il grasso in modo accurato, potrebbe essere presente aria residua nel percorso del flusso del grasso. Allentare la valvola di scarico dell'aria ed espellere l'aria (fare riferimento alla sezione relativa all'espulsione dell'aria).

È anche possibile riempire di grasso il cilindro utilizzando una pompa di riempimento (disponibile in commercio) montata sul fusto di grasso sfuso.

1. Rimuovere il cilindro dall'utensile.
2. Avvolgere del nastro sigillante per filettature intorno alla parte filettata del raccordo di caricamento (disponibile in commercio).
3. Rimuovere il tappo dell'apertura di riempimento. Montare un raccordo di caricamento sull'apertura di riempimento.
4. Installare il cilindro sull'utensile (la maniglia dell'asta è sbloccata).
5. Accertarsi che la valvola di scarico dell'aria sia serrata.

Collegare il raccordo di caricamento al raccordo della pompa di riempimento.

► **Fig.25:** 1. Tappo dell'apertura di riempimento 2. Apertura di riempimento 3. Raccordo di caricamento (disponibile in commercio) 4. Pompa di riempimento (disponibile in commercio) 5. Raccordo

6. Azionare la pompa di riempimento. L'asta della maniglia viene spinta fuori man mano che il cilindro si riempie di grasso.

► **Fig.26**

7. Scollegare il raccordo di caricamento dal raccordo della pompa di riempimento.

8. Espellere l'aria residua nel percorso del flusso del grasso.

9. Quando si vede fuoriuscire il grasso dal foro, serrare la valvola di scarico dell'aria.

AVVERTIMENTO: Utilizzare esclusivamente un raccordo di caricamento a bassa pressione. Non utilizzare mai un raccordo di caricamento ad alta pressione; in caso contrario, quest'ultimo potrebbe danneggiare l'utensile e causare lesioni personali.

ATTENZIONE: Mantenere saldamente l'utensile quando si intende riempirlo di grasso utilizzando una pompa di riempimento. In caso contrario, l'utensile potrebbe cadere e causare lesioni personali.

AVVISO: Interrompere il riempimento del grasso quando si vede la scanalatura sull'asta. In caso contrario, potrebbe verificarsi una fuoriuscita di grasso.

NOTA: Qualora l'utensile non riesca a versare il grasso in modo accurato, potrebbe essere presente aria residua nel percorso del flusso del grasso. Allentare la valvola di scarico dell'aria ed espellere l'aria (fare riferimento alla sezione relativa all'espulsione dell'aria).

Espulsione dell'aria

Qualora sia presente dell'aria residua nel percorso del flusso del grasso, l'utensile non è in grado di versare il grasso in modo accurato. Espellere l'aria prima di ciascun utilizzo, e anche quando l'utensile sembra funzionare in modo inappropriato a causa dell'aria.

1. Per espellere l'aria dall'interno dell'utensile, allentare la valvola di scarico dell'aria. L'aria fuoriesce dal foro dello scarico dell'aria.

2. Quando si vede fuoriuscire il grasso dal foro, serrare la valvola.

► **Fig.27:** 1. Valvola

AVVERTIMENTO: Quando si intende espellere l'aria, indossare gli occhiali di protezione.

ATTENZIONE: Pulire il grasso che fuoriesce dallo scarico dell'aria con un panno asciutto o un oggetto simile. In caso contrario, il grasso potrebbe causare uno scivolamento e risultare in lesioni personali.

Erogazione del grasso

Nei casi seguenti, espellere il grasso vecchio presente all'interno dell'utensile prima dell'uso:

- Quando si utilizza l'utensile per la prima volta, oppure;
- Quando si utilizza grasso di tipo diverso da quello utilizzato in precedenza.

Con il cilindro riempito di grasso nuovo, far funzionare l'utensile per un po' di tempo, fino a quando il grasso vecchio viene spinto fuori dall'adattatore.

AVVISO: Non collegare l'adattatore al nipplo del grasso fino a quando il grasso vecchio è stato espulso. Qualora si mescolino tipi di grasso diversi, le prestazioni del grasso potrebbero ridursi.

NOTA: L'utensile è stato collaudato in fabbrica, e sono presenti dei piccoli residui di grasso.

Attenersi alla procedura seguente per erogare il grasso.

ATTENZIONE: Prima dell'uso, controllare sempre la modalità di velocità.

AVVISO: Prima di collegare l'adattatore al nipplo del grasso, accertarsi sempre che l'utensile eroghi correttamente il grasso.

AVVISO: Non collegare forzatamente l'adattatore al nipplo del grasso.

1. Prima di effettuare il collegamento, pulire l'adattatore e il nipplo del grasso. Premere l'adattatore tenendolo dritto contro il nipplo del grasso.
2. Premere l'interruttore a grilletto per erogare il grasso.
► Fig.28

3. Quando l'erogazione del grasso è terminata, rimuovere l'adattatore dal nipplo del grasso. Inclinare leggermente l'adattatore per scaricare la pressione interna, quindi rimuovere l'adattatore dal nipplo del grasso.

Pulire il grasso dall'adattatore e dal nipplo del grasso.

AVVISO: Non lasciare l'utensile in funzione anche dopo l'esaurimento del grasso. In caso contrario, si riduce la vita utile dell'utensile.

NOTA: Qualora l'utensile non riesca a versare il grasso in modo accurato, potrebbe essere presente aria residua nel percorso del flusso del grasso. Allentare la valvola di scarico dell'aria ed espellere l'aria (fare riferimento alla sezione relativa all'espulsione dell'aria).

NOTA: Qualora la pressione interna aumenti mentre l'interruttore a grilletto non è premuto a fondo, il sistema di protezione entra in funzione e il motore si arresta, anche se l'utensile non raggiunge la pressione di esercizio massima. Quando si intende iniettare il grasso ad alta pressione, premere fino in fondo l'interruttore a grilletto.

NOTA: L'utensile si arresta automaticamente, qualora funzioni continuativamente per più di 6 minuti.

Nel caso in cui l'utensile non versi il grasso in modo accurato

Qualora l'utensile non riesca a versare il grasso in modo accurato, potrebbe essere presente aria residua nel percorso del flusso del grasso. Espellere l'aria attenendosi alla procedura seguente.

1. Allentare la valvola di scarico dell'aria.

► Fig.29: 1. Valvola

2. Espellere l'aria residua nel percorso del flusso del grasso.

► Fig.30

3. Quando si vede fuoriuscire il grasso dal foro, serrare la valvola di scarico dell'aria.

► Fig.31

MANUTENZIONE

ATTENZIONE: Accertarsi sempre che l'utensile sia spento e che la cartuccia della batteria sia stata rimossa prima di tentare di eseguire interventi di ispezione o manutenzione.

AVVISO: Non utilizzare mai benzina, benzene, solventi, alcol o altre sostanze simili. In caso contrario, si potrebbero causare scolorimenti, deformazioni o crepe.

Per preservare la SICUREZZA e l'AFFIDABILITÀ del prodotto, le riparazioni e qualsiasi altro intervento di manutenzione e di regolazione devono essere eseguiti da un centro di assistenza autorizzato Makita, utilizzando sempre ricambi Makita.

Espulsione del grasso

Quando si intende riporre l'utensile o utilizzare un cilindro in cui siano presenti residui di grasso, rimuovere il cilindro ed espellere il grasso vecchio attenendosi alla procedura seguente.

1. Allentare la valvola di scarico dell'aria.
2. Tirare completamente la maniglia dell'asta e bloccarla.
3. Rimuovere il cilindro dall'utensile.
4. Sbloccare la maniglia dell'asta. Continuare a mantenere la maniglia dell'asta e sposterla lentamente in avanti, in modo che il grasso fuoriesca dal cilindro.

ATTENZIONE: Non rimuovere la mano dalla maniglia dell'asta. In caso contrario, il grasso schizza fuori con forza.

AVVISO: Evitare la penetrazione di polveri all'interno del cilindro. Le polveri potrebbero restare intasate nell'utensile.

AVVISO: Pulire l'interno del cilindro una volta ogni tre mesi.

ACCESSORI OPZIONALI

⚠ATTENZIONE: Questi accessori o componenti aggiuntivi sono consigliati per l'uso con l'utensile Makita specificato nel presente manuale. L'impiego di altri accessori o componenti aggiuntivi può costituire un rischio di lesioni alle persone. Utilizzare gli accessori o i componenti aggiuntivi solo per il loro scopo prefissato.

Per ottenere ulteriori dettagli relativamente a questi accessori, rivolgersi a un centro di assistenza Makita.

- Adattatore
- Tubo flessibile
- Cilindro
- Cilindro per cartuccia
- Tracolla
- Adattatore a innesto
- Adattatore ad angolo
- Batteria e caricatori originali Makita

NOTA: Alcuni articoli nell'elenco potrebbero essere inclusi nell'imballaggio dell'utensile come accessori standard. Tali articoli potrebbero variare da nazione a nazione.

Sostituzione dell'adattatore

Allentare e rimuovere il vecchio adattatore con due chiavi, come indicato nella figura, quindi serrare saldamente il nuovo adattatore.

► Fig.32

NOTA: Qualora del grasso fuoriesca dal giunto tra il tubo flessibile e l'adattatore, avvolgere del nastro sigillante per filettature intorno alla parte filettata del tubo flessibile, prima di collegare l'adattatore.

Sostituzione del tubo flessibile

Allentare e rimuovere il vecchio tubo flessibile con una chiave, come indicato nella figura, quindi serrare saldamente il nuovo tubo flessibile.

► Fig.33

⚠ATTENZIONE: Sostituire allo stesso tempo l'anello in gomma applicato sulla parte di raccordo del nuovo tubo flessibile. Qualora si sostituisca il tubo flessibile senza l'anello in gomma o utilizzando il vecchio anello in gomma, il grasso potrebbe fuoriuscire e causare lesioni personali.

Sostituzione del cilindro

NOTA: Il tipo di cilindro varia a seconda della nazione.

NOTA: Per installare un cilindro di tipo diverso, sono richiesti i componenti aggiuntivi descritti di seguito, a seconda del tipo di cilindro.

Sostituzione del cilindro dal tipo A al tipo B o al tipo C

1. Rimuovere il cilindro tipo A.
2. Rimuovere la vite e quindi il manicotto.
► Fig.34: 1. Manicotto 2. Vite
3. Inserire il giunto con la guarnizione in gomma, allineando al tempo stesso la linguetta con la scanalatura sulla parte di montaggio, quindi fissarlo con le viti.
4. Installare il cilindro tipo B o tipo C.
► Fig.35: 1. Giunto 2. Guarnizione in gomma 3. Linguetta 4. Scanalatura 5. Vite

Sostituzione del cilindro dal tipo B o dal tipo C al tipo A

1. Rimuovere il cilindro tipo B o tipo C.
2. Svitare e rimuovere il giunto.
► Fig.36: 1. Giunto 2. Guarnizione in gomma 3. Vite
3. Inserire il manicotto nell'alloggiamento dell'utensile, quindi fissarlo con una vite.
4. Installare il cilindro tipo A.
► Fig.37: 1. Manicotto 2. Vite

Cilindro per cartuccia

È possibile vedere la cartuccia del grasso attraverso il foro sul cilindro per cartuccia.

► Fig.38

Quando si intende utilizzare il cilindro per cartuccia, trasferire le parti del pistone dal cilindro corrispondente al cilindro per cartuccia.

► Fig.39: 1. Parti del pistone 2. Cilindro per cartuccia

Qualora risulti difficoltoso estrarre la maniglia dell'asta, attenersi alla procedura seguente.

1. Inserire la cartuccia del grasso vuota nel cilindro.
► Fig.40: 1. Svuotare la cartuccia del grasso
2. Tirare la maniglia dell'asta e bloccarla.
► Fig.41
3. Rimuovere la cartuccia del grasso vuota dal cilindro.

Adattatore a innesto

⚠ATTENZIONE: Fare attenzione a non far restare incastrato il dito nell'adattatore a innesto.

⚠ATTENZIONE: Indossare gli occhialoni di protezione. Quando si rimuove l'adattatore a innesto dal nipplo del grasso, il grasso potrebbe schizzare fuori dall'utensile e causare lesioni personali.

Quando si intende collegare l'adattatore a innesto al nipplo per il grasso, premere l'adattatore a innesto tenendolo diritto contro il nipplo per il grasso, mentre si tiene premuta la leva sull'adattatore a innesto, quindi rilasciare la leva.

► **Fig.42:** 1. Leva 2. Adattatore a innesto

Per assemblare l'adattatore a innesto, fare riferimento alla sezione relativa alla sostituzione dell'adattatore.

Adattatore ad angolo

Quando si intende montare l'adattatore ad angolo, premere l'adattatore dell'utensile tenendolo diritto contro l'adattatore ad angolo.

► **Fig.43:** 1. Adattatore ad angolo

NOTA: L'adattatore ad angolo è consigliato per l'iniezione di grasso a pressione relativamente bassa, ad esempio per la sostituzione di grasso vecchio in giunti o in parti scorrevoli di macchinari pesanti e veicoli.

RISOLUZIONE DEI PROBLEMI

Prima di richiedere riparazioni, eseguire un'ispezione personalmente. Qualora si rilevi un problema che non è illustrato nel manuale, non tentare di smontare l'utensile. Rivolgersi, invece, a un centro di assistenza autorizzato Makita, utilizzando sempre pezzi di ricambio Makita per le riparazioni.

Stato di anomalia	Causa probabile (guasto)	Azione correttiva
L'utensile non versa il grasso.	È presente aria residua nel percorso del flusso del grasso.	Per espellere l'aria dall'interno dell'utensile, allentare la valvola di scarico dell'aria.
	La valvola di scarico dell'aria è allentata.	Serrare la valvola di scarico dell'aria.
	La consistenza del grasso è elevata.	Utilizzare grasso NLGI da 0 a 2.
	Il grasso è duro a causa di una bassa temperatura ambiente o di conservazione.	Riscaldare il grasso prima dell'uso.
	Grasso assente all'interno dell'utensile.	Rifornire di grasso l'interno dell'utensile.
Non si riesce a tirare la maniglia dell'asta.	La valvola di scarico dell'aria è serrata.	Allentare la valvola di scarico dell'aria.
Del grasso fuoriesce dall'adattatore.	Sono presenti segni di usura, danneggiamento o polveri sull'apertura di iniezione del grasso (nipplo per il grasso).	Pulire o sostituire l'apertura di iniezione del grasso (nipplo per il grasso).
	L'adattatore si è consumato.	Sostituire l'adattatore.
Il grasso non fuoriesce dalla valvola di scarico dell'aria quando si espelle l'aria.	La valvola di scarico dell'aria non è allentata a sufficienza.	Allentare ulteriormente la valvola di scarico dell'aria.
	Il grasso è duro.	L'aria potrebbe essere già stata espulsa. Serrare la valvola di scarico dell'aria, installare la cartuccia della batteria, quindi accendere l'utensile per verificare che quest'ultimo versi il grasso.

TECHNISCHE GEGEVENS

Model:		DGP180
Nominale spanning		18 V gelijkspanning
Vetcapaciteit (met huls van het type A)	Patroon	410 g
	Bulk	455 g
Vetcapaciteit (met huls van het type B)	Patroon	450 g
	Bulk	570 g
Maximale werkdruk		69 MPa
Maximale spuitsnelheid	Lage-snelheidsfunctie	145 ml/min
	Automatische-snelheidsfunctie	290 ml/min
Geschikt type vet		NLGI-nr. 0 - nr. 2
Slanglengte		1.200 mm
Totale lengte	Met huls van het type A	411 mm
	Met huls van het type B	449 mm
Netto gewicht		4,8 - 6,1 kg

OPMERKING: Het type huls (type A of type B) verschilt afhankelijk van het land.

- In verband met ononderbroken research en ontwikkeling, houden wij ons het recht voor de bovenstaande technische gegevens zonder voorafgaande kennisgeving te wijzigen.
- De technische gegevens van de accu kunnen van land tot land verschillen.
- Het gewicht kan verschillen afhankelijk van de hulpstukken, waaronder de accu. De lichtste en zwaarste combinatie, overeenkomstig de EPTA-procedure 01/2014, worden getoond in de tabel.

Toepasselijke accu's en laders

Accu	BL1815N / BL1820B / BL1830B / BL1840B / BL1850B / BL1860B
Lader	DC18RC / DC18RD / DC18RE / DC18SD / DC18SE / DC18SF / DC18SH

- Sommige van de hierboven vermelde accu's en laders zijn mogelijk niet leverbaar afhankelijk van waar u woont.

⚠WAARSCHUWING: Gebruik uitsluitend de accu's en laders die hierboven worden genoemd. Gebruik van enige andere accu of lader kan leiden tot letsel en/of brand.

Gebruiksdoelinden

Dit gereedschap is bedoeld voor het spuiten van vet.

Geluidsniveau

De typische, A-gewogen geluidsniveaus zijn gemeten volgens EN62841-1:

Geluidsdruk niveau ($L_{p(A)}$): 76 dB (A)

Onzekerheid (K): 3 dB (A)

OPMERKING: De opgegeven geluidsemissiewaarde(n) is/zijn gemeten volgens een standaardtestmethode en kan/kunnen worden gebruikt om dit gereedschap te vergelijken met andere gereedschappen.

OPMERKING: De opgegeven geluidsemissiewaarde(n) kan/kunnen ook worden gebruikt voor een beoordeling vooraf van de blootstelling.

⚠WAARSCHUWING: Draag gehoorbescherming.

⚠WAARSCHUWING: De geluidsemissie tijdens het gebruik van het elektrisch gereedschap in de praktijk kan verschillen van de opgegeven waarde(n) afhankelijk van de manier waarop het gereedschap wordt gebruikt, met name van het soort werkstuk waarmee wordt gewerkt.

⚠WAARSCHUWING: Zorg ervoor dat veiligheidsmaatregelen worden getroffen ter bescherming van de gebruiker die zijn gebaseerd op een schatting van de blootstelling onder praktijkomstandigheden (rekening houdend met alle fasen van de bedrijfscyclus, zoals de tijdsduur gedurende welke het gereedschap is uitgeschakeld en stationair draait, naast de ingeschakelde tijdsduur).

Trilling

De totale trillingswaarde (triaxiale vectorsom) zoals vastgesteld volgens EN62841-1:
Trillingsemisatie (a_w): 2,5 m/s² of lager
Onzekerheid (K): 1,5 m/s²

OPMERKING: De totale trillingswaarde(n) is/zijn gemeten volgens een standaardtestmethode en kan/kunnen worden gebruikt om dit gereedschap te vergelijken met andere gereedschappen.

OPMERKING: De opgegeven totale trillingswaarde(n) kan/kunnen ook worden gebruikt voor een beoordeling vooraf van de blootstelling.

⚠️ WAARSCHUWING: De trillingsemisatie tijdens het gebruik van het elektrisch gereedschap in de praktijk kan verschillen van de opgegeven waarde(n) afhankelijk van de manier waarop het gereedschap wordt gebruikt, met name van het soort werkstuk waarmee wordt gewerkt.

⚠️ WAARSCHUWING: Zorg ervoor dat veiligheidsmaatregelen worden getroffen ter bescherming van de gebruiker die zijn gebaseerd op een schatting van de blootstelling onder praktijkomstandigheden (rekening houdend met alle fasen van de bedrijfscyclus, zoals de tijdsduur gedurende welke het gereedschap is uitgeschakeld en stationair draait, naast de ingeschakelde tijdsduur).

EG-verklaring van conformiteit

Alleen voor Europese landen

De EG-verklaring van conformiteit is bijgevoegd als Bijlage A bij deze gebruiksaanwijzing.

VEILIGHEIDSWAARSCHUWINGEN

Algemene veiligheidswaarschuwingen voor elektrisch gereedschap

⚠️ WAARSCHUWING: Lees alle veiligheidswaarschuwingen, aanwijzingen, afbeeldingen en technische gegevens behorend bij dit elektrische gereedschap aandachtig door. Als u niet alle onderstaande aanwijzingen naleeft, kan dat resulteren in brand, elektrische schokken en/of ernstig letsel.

Bewaar alle waarschuwingen en instructies om in de toekomst te kunnen raadplegen.

De term "elektrisch gereedschap" in de veiligheidsvoorschriften duidt op gereedschappen die op stroom van het lichtnet werken (met snoer) of gereedschappen met een accu (snoerloos).

Veiligheidswaarschuwingen voor een accuvetspuit

1. **Houd het gereedschap stevig vast.**
2. **Bedien het gereedschap niet in de buurt van open vuur.** Het vet kan ontvlammen.
3. **Gebruik uitsluitend vet dat voldoet aan de specificaties vermeld in deze gebruiksaanwijzing.** Als een ander type vet of een ander materiaal dan vet wordt geplaatst, kan een storing ontstaan.
4. **Plaats geen ander materiaal dan vet, zoals olie.** Het kan uit het gereedschap spuiten en in uw ogen komen.
5. **Draag het gereedschap niet aan de flexibele slang of aan het handvat van de duwstang.**
6. **Draag een veiligheidsbril wanneer u het gereedschap gebruikt.**
7. **Controleer de flexibele slang vóór elk gebruik. Gebruik de slang niet wanneer deze geknikt of beschadigd is.** De slang kan open scheuren door de hoge druk en het vet kan in uw ogen komen.
8. **Verzekert u ervan dat de stang stevig is vastgezet.** De stang kan per ongeluk bewegen en een beknelling veroorzaken.
9. **Lees vóór gebruik en houd u aan de instructies van de fabrikant van het vet.**
10. **Houd handen en kleding uit de buurt van de stang van het handvat.** Anders kunnen uw vingers of kleding bekneld raken.
11. **Veeg het vet af dat op het gereedschap zit.** Anders kan dit uitglijden veroorzaken en leiden tot letsel.
12. **Buig de flexibele slang niet met kracht en ga er niet op staan.** Als u dat doet, kan de slang breken of vervormd raken.
13. **Richt de adapter niet op iemand in de buurt.**
14. **Gebruik uitsluitend de flexibele slang die door Makita is gespecificeerd.** Het gebruik van een andere slang kan een kans op letsel inhouden.

BEWAAR DEZE VOORSCHRIFTEN.

Belangrijke veiligheidsinstructies voor een accu

1. **Lees alle voorschriften en waarschuwingen op (1) de acculader, (2) de accu, en (3) het product waarvoor de accu wordt gebruikt, alvorens de accu in gebruik te nemen.**
2. **Haal de accu niet uit elkaar en saboteer hem niet.** Dit kan leiden tot brand, buitensporige hitte of een explosie.
3. **Als de gebruikstijd van een opgeladen accu aanzienlijk korter is geworden, moet u het gebruik ervan onmiddellijk stopzetten.** Voortgezet gebruik kan oververhitting, brandwonden en zelfs een ontploffing veroorzaken.
4. **Als elektrolyt in uw ogen is terechtgekomen, spoelt u uw ogen met schoon water en roept u onmiddellijk de hulp van een dokter in.** Elektrolyt in de ogen kan blindheid veroorzaken.

5. **Voorkom kortsluiting van de accu:**
 - (1) Raak de accuklemmen nooit aan met een geleidend materiaal.
 - (2) Bewaar de accu niet in een bak waarin andere metalen voorwerpen zoals spijkers, munten e.d. worden bewaard.
 - (3) Stel de accu niet bloot aan water of regen. Kortsluiting van de accu kan oorzaak zijn van een grote stroomafgifte, oververhitting, brandwonden, en zelfs defecten.
6. Bewaar en gebruik het gereedschap en de accu niet op plaatsen waar de temperatuur kan oplopen tot 50 °C of hoger.
7. Werp de accu nooit in het vuur, ook niet wanneer hij zwaar beschadigd of volledig versleten is. De accu kan ontploffen in het vuur.
8. Laat de accu niet vallen, sla er geen spijker in, snijd er niet in, gooi er niet mee en stoot hem niet tegen een hard voorwerp. Dergelijke handelingen kunnen leiden tot brand, buitensporige hitte of een explosie.
9. Gebruik nooit een beschadigde accu.
10. De bijgeleverde lithium-ionbatterijen zijn onderhevig aan de vereisten in de wetgeving omtrent gevaarlijke stoffen.
 Voor commercieel transport en dergelijke door derden en transporteurs moeten speciale vereisten ten aanzien van verpakking en etikettering worden nageleefd. Als voorbereiding van het artikel dat wordt getransporteerd is het noodzakelijk een expert op het gebied van gevaarlijke stoffen te raadplegen. Houd u tevens aan mogelijk strengere nationale regelgeving. Blootliggende contactpunten moeten worden afgedekt met tape en de accu moet zodanig worden verpakt dat deze niet kan bewegen in de verpakking.
11. Wanneer u de accu wilt weggooiden, verwijdert u de accu vanaf het gereedschap en gooit u hem op een veilige manier weg. Volg bij het weggooiden van de accu de plaatselijke voorschriften.
12. Gebruik de accu's uitsluitend met de gereedschappen die door Makita zijn aanbevolen. Als de accu's worden aangebracht in niet-compatibele gereedschappen, kan dat leiden tot brand, buitensporige warmteontwikkeling, een explosie of lekkage van elektrolyt.
13. Als u het gereedschap gedurende een lange tijd niet denkt te gaan gebruiken, moet de accu vanaf het gereedschap worden verwijderd.
14. Tijdens en na gebruik, kan de accu heet worden waardoor brandwonden of koude brandwonden kunnen worden veroorzaakt. Wees voorzichtig bij het hanteren van een hete accu.
15. Raak de aansluitpunten van het gereedschap niet onmiddellijk na gebruik aan omdat deze heet genoeg kunnen zijn om brandwonden te veroorzaken.
16. Zorg ervoor dat geen steenslag, stof of grond vast komt te zitten op/in de aansluitpunten, openingen en groeven van de accu. Hierdoor kan oververhitting, brand, een barst en een storing in het gereedschap of de accu ontstaan waardoor brandwonden of persoonlijk letsel kunnen ontstaan.
17. Behalve indien gebruik van het gereedschap is toegestaan in de buurt van hoogspanningsleidingen, mag u de accu niet gebruiken in de buurt van een hoogspanningsleiding. Dit kan leiden tot een storing of een defect van het gereedschap of de accu.
18. Houd de accu uit de buurt van kinderen.

BESCHRIJVING VAN DE ONDERDELEN

⚠ LET OP: Gebruik uitsluitend originele Makita accu's. Het gebruik van niet-originele accu's, of accu's die zijn gewijzigd, kan ertoe leiden dat de accu ontploft en brand, persoonlijk letsel en schade veroorzaakt. Ook vervalt daarmee de garantie van Makita op het gereedschap en de lader van Makita.

Tips voor een maximale levensduur van de accu

1. Laad de accu op voordat hij volledig ontladen is. Stop het gebruik van het gereedschap en laad de accu op telkens wanneer u vaststelt dat het vermogen van het gereedschap is afgenomen.
2. Laad een volledig opgeladen accu nooit opnieuw op. Te lang opladen verkort de levensduur van de accu.
3. Laad de accu op bij een omgevingstemperatuur tussen 10 °C en 40 °C. Laat een warme accu afkoelen alvorens hem op te laden.
4. Als de accu niet wordt gebruikt, verwijdert u hem vanaf het gereedschap of de lader.
5. Laad de accu op als u deze gedurende een lange tijd (meer dan zes maanden) niet gaat gebruiken.

BESCHRIJVING VAN DE ONDERDELEN

► Fig.1

1	Trekkerschakelaar	2	Vergrendelknop	3	Lampschakelaar
4	Lamp	5	Trekkervergrendelknop	6	Snelheidsfunctiekeuzeknop
7	Luchtafvoer	8	Vulpoortdop	9	Flexibele slang
10	Adapter	11	Riembevestigingspunt	12	Accu
13	Huls	14	Handvat van de duwstang	15	Slanghouder
16	Drukontlastklep	17	Schouderriem	-	-

BESCHRIJVING VAN DE FUNCTIES

⚠ LET OP: Zorg altijd dat het gereedschap is uitgeschakeld en de accu ervan is verwijderd alvorens de functies op het gereedschap af te stellen of te controleren.

De accu aanbrengen en verwijderen

⚠ LET OP: Schakel het gereedschap altijd uit voordat u de accu aanbrengt of verwijderd.

⚠ LET OP: Houd het gereedschap en de accu stevig vast tijdens het aanbrengen of verwijderen van de accu. Als u het gereedschap en de accu niet stevig vasthoudt, kunnen deze uit uw handen glippen en het gereedschap of de accu beschadigen, of kan persoonlijk letsel worden veroorzaakt.

► **Fig.2:** 1. Rood deel 2. Knop 3. Accu

Om de accu te verwijderen verschuift u de knop aan de voorkant van de accu en schuift u tegelijkertijd de accu uit het gereedschap.

Om de accu aan te brengen lijnt u de lip op de accu uit met de groef in de behuizing en duwt u de accu op zijn plaats. Steek de accu zo ver mogelijk in het gereedschap tot u een klikgeluid hoort. Wanneer het rode deel zichtbaar is, zoals aangegeven in de afbeelding, is de accu niet geheel vergrendeld.

⚠ LET OP: Breng de accu altijd helemaal aan totdat het rode deel niet meer zichtbaar is. Als u dit niet doet, kan de accu per ongeluk uit het gereedschap vallen en u of anderen in uw omgeving verwonden.

⚠ LET OP: Breng de accu niet met kracht aan. Als de accu niet gemakkelijk in het gereedschap kan worden geschoven, wordt deze niet goed aangebracht.

Gereedschap-/accubeveiligingssysteem

Het gereedschap is voorzien van een gereedschap-/accubeveiligingssysteem. Dit systeem schakelt automatisch de voeding naar de motor uit om de levensduur van het gereedschap en de accu te verlengen. Het gereedschap kan tijdens het gebruik automatisch stoppen als het gereedschap of de accu aan één van de volgende omstandigheden wordt blootgesteld:

Overbelastingsbeveiliging

Wanneer het gereedschap wordt gebruikt op een manier waardoor een abnormaal hoge stroom wordt getrokken, stopt het gereedschap automatisch zonder dat een indicatorlampje gaat branden. Schakel in die situatie het gereedschap uit en stop het gebruik dat ertoe leidde dat het gereedschap overbelast raakte. Schakel daarna het gereedschap in om het weer te starten.

Oververhittingsbeveiliging

Wanneer het gereedschap of de accu oververhit is, stopt het gereedschap automatisch en knippert de lamp. In dat geval laat u het gereedschap en de accu afkoelen, voordat u het gereedschap opnieuw inschakelt.

Beveiliging tegen te ver ontladen

Als de acculading onvoldoende is, stopt het gereedschap automatisch. In dit het geval verwijderd u de accu vanaf het gereedschap en laadt u de accu op.

OPMERKING: Het beveiligingssysteem kan gemakkelijker in werking treden afhankelijk van de omgevingstemperatuur of het type en de toestand van het vet.

Beveiliging tegen andere oorzaken

Het beveiligingssysteem is ook ontworpen voor andere oorzaken die het gereedschap kunnen beschadigen, en zorgt ervoor dat het gereedschap automatisch stopt. Voer alle volgende stappen uit om de oorzaken op te heffen, wanneer het gereedschap tijdelijk is onderbroken of tijdens het gebruik is gestopt.

1. Schakel het gereedschap uit en schakel het daarna weer in om het opnieuw te starten.
2. Laad de accu('s) op of vervang hem/ze door (een) opgeladen accu('s).
3. Laat het gereedschap en de accu('s) afkoelen.

Als geen verbetering optreedt nadat het beveiligingssysteem is gereset, neemt u contact op met uw lokale Makita-servicecentrum.

De resterende acculading controleren

Alleen voor accu's met indicatorlampjes

► **Fig.3:** 1. Indicatorlampjes 2. Testknop

Druk op de testknop op de accu om de resterende acculading te zien. De indicatorlampjes branden gedurende enkele seconden.

Indicatorlampjes			Resterende acculading
Brandt	Uit	Knippert	
■ ■ ■ ■			75% tot 100%
■ ■ ■ □			50% tot 75%
■ ■ □ □			25% tot 50%
■ □ □ □			0% tot 25%
▤ □ □ □			Laad de accu op.
■ ■ □ □			Er kan een storing zijn opgetreden in de accu.
□ □ ■ ■	↑ ↓		

OPMERKING: Afhankelijk van de gebruiksomstandigheden en de omgevingstemperatuur, is het mogelijk dat de aangegeven acculading verschilt van de werkelijke acculading.

OPMERKING: Het eerste (meest linker) indicatorlampje knippert wanneer het accubeveiligingssysteem in werking is getreden.

Werking van de schakelaar

⚠ LET OP: Alvorens de accu in het gereedschap te plaatsen, moet u altijd controleren of de trekkerschakelaar goed werkt en bij het loslaten terugkeert naar de stand "OFF".

⚠ LET OP: Wanneer u het gereedschap niet gebruikt, drukt u op de trekvergrendelknop vanaf de "A"-kant om de trekkerschakelaar te vergrendelen in de uit-stand.

Om te voorkomen dat de trekkerschakelaar per ongeluk wordt ingeknepen, is een trekvergrendelknop aangebracht.

Om het gereedschap te starten, drukt u vanaf de "B"-kant op de trekvergrendelknop en knijpt u de trekkerschakelaar in.

Hoe harder u de trekkerschakelaar inknijpt, hoe hoger de snelheid van het gereedschap. Laat de trekkerschakelaar los om het gereedschap te stoppen. Druk altijd na gebruik op de trekvergrendelknop vanaf de "A"-kant.

Om het gereedschap continu te laten werken, knijpt u eerst de trekkerschakelaar in en drukt u daarna de vergrendelknop in. Om vanuit de vergrendelde, continue werking het gereedschap te stoppen, knijpt u de trekkerschakelaar helemaal in om te ontgrendelen.

► Fig.4: 1. Trekkerschakelaar 2. Vergrendelknop
3. Trekvergrendelknop

De lamp op de voorkant gebruiken

⚠ LET OP: Kijk niet direct in het lamplicht of in de lichtbron.

Druk op de lampschakelaar om de lamp in te schakelen. Druk nogmaals op de lampschakelaar om de lamp uit te schakelen. Wanneer het gereedschap gedurende 60 seconden niet wordt bediend terwijl de motor is uitgeschakeld, gaat de lamp uit.

► Fig.5: 1. Lamp 2. Lampschakelaar

KENNISGEVING: Gebruik een droge doek om vuil van de lens van de lamp af te vegen. Wees voorzichtig dat u de lens van de lamp niet bekrast omdat dan de verlichting minder wordt.

De snelheidsfunctie kiezen

KENNISGEVING: Verander de snelheidsfunctie alleen nadat het gereedschap volledig tot stilstand is gekomen.

Het gereedschap heeft een snelheidsfunctiekeuzeknop. Draai de knop zodat de pijlpunt op de knop in de richting wijst van één van de twee onderstaande functies:

1	Lage-snelheidsfunctie: Het vet wordt met een constante, lage snelheid gespoten.
2	Automatische-snelheidsfunctie: Breng het vet aan terwijl de spuitsnelheid automatisch varieert aan de hand van de druk op de plaats van aanbrengen.

► Fig.6: 1. Snelheidsfunctiekeuzeknop

Drukontlastklep

Wanneer de interne druk in het gereedschap een bepaalde waarde overschrijdt, komt het vet uit de drukontlastklep om de interne druk te verlagen.

► Fig.7: 1. Drukontlastklep

⚠ LET OP: Verwijder de drukontlastklep niet en verander de afstelling ervan niet.

⚠ LET OP: Verwijder de afdekking van de drukontlastklep niet. Als u dat doet, kan vet uit de drukontlastklep spuiten en in uw ogen komen.

MONTAGE

⚠ LET OP: Zorg altijd dat het gereedschap is uitgeschakeld en de accu ervan is verwijderd alvorens enig werk aan het gereedschap uit te voeren.

De huls aanbrengen en verwijderen

Om de huls te verwijderen, draait u deze eraf zoals aangegeven in de afbeelding.

► Fig.8: 1. Huls

Om de huls aan te brengen, steekt u hem in het gereedschap en draait u hem erop in tegenovergestelde richting.

► Fig.9: 1. Huls

Handvat van de duwstang

KENNISGEVING: Trek niet aan het handvat van de duwstang wanneer het ventiel voor de luchtafvoer dicht zit terwijl de huls op het gereedschap is aangebracht. Verzeker u ervan dat het ventiel voor de luchtafvoer open staat. Als u dit niet doet, kan dat leiden tot een storing.

Trek aan het handvat van de duwstang wanneer u het aanbrengt in de huls.

► Fig.10: 1. Handvat van de duwstang 2. Duwstang

Om het handvat van de duwstang te vergrendelen in de volledig uitgetrokken stand, trekt u aan het handvat van de duwstang totdat de groef in de duwstang zichtbaar is en haakt u de groef vast in de uitsparing. Om het handvat van de duwstang te ontgrendelen, maakt u de groef los uit de uitsparing zodat de duwstang naar voren beweegt.

► Fig.11: 1. Groef 2. Uitsparing

⚠ LET OP: Verzeker u ervan dat het handvat van de duwstang stevig is vergrendeld. Anders kan de stang per ongeluk worden ontgrendeld en een beknelling veroorzaken.

Slanghouder

De slanghouder kan met behulp van de schroef worden aangebracht op elke zijkant van het gereedschap.

► Fig.12: 1. Slanghouder 2. Schroef

Schouderriem

⚠ WAARSCHUWING: Gebruik het riembevestigingspunt nooit voor een touw (tuieriem). Als u dit doet, kan dat leiden tot ernstig letsel omdat het riembevestigingspunt niet is bedoeld voor een beveiligingsinrichting voor valpreventie.

⚠ WAARSCHUWING: Terwijl u het gereedschap draagt, blijft u het gereedschap vasthouden, zelfs bij gebruik van de schouderriem. Als het gereedschap alleen aan de schouderriem wordt gedragen, is het instabiel. De schouderriem kan losraken of het gereedschap kan andere voorwerpen raken en letsel veroorzaken.

Bevestig de haken van de schouderriem aan de riembevestigingspunten op het gereedschap, zoals aangegeven in de afbeelding.

► **Fig.13:** 1. Schouderriem 2. Haak 3. Bevestigingspunt

BEDIENING

Vullen met vet

⚠ WAARSCHUWING: Verzekert u ervan de gebruiksaanwijzingen van het vet en/of andere apparaten te lezen en vervang zo nodig de volgende inhoud. Door misbruik of het niet volgen van de instructies kan het gereedschap worden beschadigd of letsel worden veroorzaakt.

KENNISGEVING: Wanneer er nog oud vet in de huls zit, haalt u de huls eraf en verwijdert u het oude vet volgens de beschrijving in het gedeelte over oud vet verwijderen.

Het vet kan op de volgende manieren worden toegevoerd:

Breng een (in de handel verkrijgbaar) vetpatroon aan in de huls

KENNISGEVING: (Alleen voor een huls van het type A)

Gebruik een vetpatroon waarvan de rand aan het eindvlak van de huls kan worden gehaakt.

KENNISGEVING: (alleen voor een huls van het type B/type C)

Gebruik een vetpatroon waarvan de rand aan de binnenlip van de huls kan worden gehaakt.

1. Open het ventiel voor de luchtafvoer.
► **Fig.14:** 1. Ventiel
2. Trek het handvat van de duwstang helemaal eruit en vergrendel hem.
► **Fig.15:** 1. Groef 2. Duwstang 3. Handvat van de duwstang
3. Verwijder de huls vanaf het gereedschap.
► **Fig.16:** 1. Huls
4. Verwijder de plastic dop vanaf de vetpatroon en steek de vetpatroon in de huls.
► **Fig.17:** 1. Vetpatroon (verkrijgbaar in de winkel) 2. Treklijp

5. Verwijder de treklijp vanaf de vetpatroon en breng vervolgens de huls aan in het gereedschap.

Als er een opening zit tussen de rand van de vetpatroon en de huls, schroeft u de huls in het gereedschap terwijl u de huls naar voren duwt.

► **Fig.18**

6. Ontgrendel het handvat van de duwstang.

► **Fig.19**

7. Verwijder de lucht die is achtergebleven in het spuitkanaal van het vet.

► **Fig.20**

8. Sluit het ventiel voor de luchtafvoer wanneer er vet uit de opening komt.

► **Fig.21**

OPMERKING: Als het gereedschap niet nauwkeurig vet kan spuiten, is mogelijk lucht achtergebleven in het spuitkanaal van het vet. Open het ventiel voor de luchtafvoer en verwijder de lucht. (Raadpleeg de paragraaf over het verwijderen van lucht.)

Vet bijvullen in de huls vanuit een bulkcontainer (in de handel verkrijgbaar)

1. Open het ventiel voor de luchtafvoer.
2. Trek het handvat van de duwstang helemaal eruit en vergrendel hem.
3. Verwijder de huls vanaf het gereedschap.

Ontgrendel het handvat van de duwstang en duw het handvat voorzichtig naar voren.

4. Steek de punt van de huls in het vet en trek daarna het handvat van de duwstang eruit. Het vet wordt opgezogen in de huls.

► **Fig.22:** 1. Bulkcontainer (in de handel verkrijgbaar)

5. Trek het handvat van de duwstang helemaal eruit en vergrendel hem.

► **Fig.23**

6. Breng de huls aan in het gereedschap en ontgrendel daarna het handvat van de duwstang.

7. Verwijder de lucht die is achtergebleven in het spuitkanaal van het vet.

8. Sluit het ventiel voor de luchtafvoer wanneer er vet uit de opening komt.

KENNISGEVING: Wanneer u het handvat van de duwstang vergrendelt, verzekert u zich ervan dat het handvat van de duwstang stevig wordt vergrendeld. Anders kan het handvat van de duwstang onbedoeld worden ontgrendeld en het vet uit de huls komen.

OPMERKING: (alleen voor een huls van het type B/ type C)

De hoeveelheid bijgevuld vet moet onder de schroefdraadlijn blijven. Anders zal het vet overstromen bij het aanbrengen van de huls op het gereedschap.

- **Fig.24:** 1. Huls (type B/type C) 2. Schroefdraadlijn 3. Vet

OPMERKING: Als het gereedschap niet nauwkeurig vet kan spuiten, is mogelijk lucht achtergebleven in het spuitkanaal van het vet. Open het ventiel voor de luchtafvoer en verwijder de lucht. (Raadpleeg de paragraaf over het verwijderen van lucht.)

U kunt ook vet in de huls bijvullen met behulp van een vulpomp (in de handel verkrijgbaar) die is bevestigd op de bulkcontainer.

1. Verwijder de huls vanaf het gereedschap.
2. Wikkel afdichtingstape rond de schroefdraad van de vulkoppeling (in de handel verkrijgbaar).
3. Verwijder de vulpoortdop. Bevestig een vulkoppeling op de vulpoort.
4. Breng de huls aan in het gereedschap. (Het handvat van de duwstang is ontgrendeld.)

5. Verzeker u ervan dat het ventiel voor de luchtafvoer dicht zit.

Sluit de vulkoppeling aan op de koppeling van de vulpomp.

- **Fig.25:** 1. Vulpoortdop 2. Vulpoort 3. Vulkoppeling (in de handel verkrijgbaar) 4. Vulpomp (in de handel verkrijgbaar) 5. Koppeling

6. Bedien de vulpomp. De duwstang met het handvat worden naar buiten geduwd naarmate de huls wordt gevuld met vet.

► **Fig.26**

7. Koppel de vulkoppeling los van de koppeling van de vulpomp.

8. Verwijder de lucht die is achtergebleven in het spuitkanaal van het vet.

9. Sluit het ventiel voor de luchtafvoer wanneer er vet uit de opening komt.

WAARSCHUWING: Gebruik alleen een vulkoppeling voor lage druk. Gebruik nooit een vulkoppeling voor hoge druk omdat anders het gereedschap kan worden beschadigd en persoonlijk letsel kan ontstaan.

LET OP: Houd het gereedschap stevig vast tijdens het bijvullen van vet met een vulpomp. Het gereedschap kan vallen en letsel veroorzaken.

KENNISGEVING: Stop met bijvullen van vet wanneer u de schroefdraadlijn op de duwstang ziet. Anders kan vet worden gemorst.

OPMERKING: Als het gereedschap niet nauwkeurig vet kan spuiten, is mogelijk lucht achtergebleven in het spuitkanaal van het vet. Open het ventiel voor de luchtafvoer en verwijder de lucht. (Raadpleeg de paragraaf over het verwijderen van lucht.)

Lucht verwijderen

Als er lucht achterblijft in het spuitkanaal van het vet, kan het gereedschap het vet niet nauwkeurig spuiten. Verwijder de lucht vóór elk gebruik en ook wanneer het gereedschap niet goed lijkt te werken als gevolg van lucht.

1. Om de lucht binnenin het gereedschap te verwijderen, opent u het ventiel voor de luchtafvoer. De lucht stroomt uit de opening van de luchtafvoer.

2. Sluit het ventiel voor de luchtafvoer wanneer er vet uit de opening komt.

► **Fig.27:** 1. Ventiel

WAARSCHUWING: Draag een veiligheidsbril wanneer u lucht verwijdert.

LET OP: Veeg het vet af dat uit de luchtafvoer komt met een droge doek of iets soortgelijks. Anders kan dit uitglijden veroorzaken en leiden tot letsel.

Vet spuiten

In de volgende gevallen, verwijdert u vóór gebruik eerst het oude vet binnenin het gereedschap:

- Wanneer u het gereedschap voor de eerste keer gebruikt, of
- Wanneer u een ander soort vet dan het voorgaande vet gaat gebruiken.

Terwijl het nieuwe vet in de huls is gevuld, laat u het gereedschap enige tijd werken totdat het oude vet uit de adapter is gespoten.

KENNISGEVING: Sluit de adapter niet aan op de vetnippel totdat het oude vet is verwijderd. Als verschillende soorten vet worden gemengd, kunnen de prestaties van het vet afnemen.

OPMERKING: Het gereedschap is in de fabriek getest en een kleine hoeveelheid vet is achtergebleven.

Voer de volgende procedure uit om dit vet eruit te spuiten.

LET OP: Controleer altijd de snelheidsfunctie alvorens het gereedschap te gebruiken.

KENNISGEVING: Voordat u de adapter aansluit op de vetnippel, controleert u altijd of het gereedschap het vet correct spuit.

KENNISGEVING: Sluit de adapter niet met kracht aan op de vetnippel.

1. Veeg de adapter en de vetnippel schoon voordat u deze op elkaar aansluit. Duw de adapter recht op de vetnippel.

2. Knijp de trekkerschakelaar in om vet te spuiten.

► **Fig.28**

3. Nadat u klaar bent met het spuiten van vet, verwijdert u de adapter vanaf de vetnippel. Kantel de adapter iets om de inwendige druk af te laten en verwijder vervolgens de adapter vanaf de vetnippel.

Veeg het vet van de adapter en de vetnippel af.

KENNISGEVING: Laat het gereedschap niet ingeschakeld, ook niet wanneer het vet op is. Dit kan de levensduur van het gereedschap verkorten.

OPMERKING: Als het gereedschap niet nauwkeurig vet kan spuiten, is mogelijk lucht achtergebleven in het spuitkanaal van het vet. Open het ventiel voor de luchtafvoer en verwijder de lucht. (Raadpleeg de paragraaf over het verwijderen van lucht.)

OPMERKING: Als de interne druk toeneemt omdat de trekkerschakelaar niet helemaal wordt ingeknepen, treedt het beveiligingssysteem in werking en stopt de motor ondanks dat het gereedschap nog niet de maximale werkdruk heeft bereikt. Wanneer u het vet met hoge druk spuit, knijpt u de trekkerschakelaar helemaal in.

OPMERKING: Het gereedschap stopt automatisch nadat het gereedschap langer dan 6 minuten ingeschakeld is geweest.

In het geval het gereedschap niet nauwkeurig vet spuit

Als het gereedschap niet nauwkeurig vet kan spuiten, is mogelijk lucht achtergebleven in het spuitkanaal van het vet. Verwijder de lucht aan de hand van de volgende procedure.

1. Open het ventiel voor de luchtafvoer.
► **Fig.29:** 1. Ventiel
2. Verwijder de lucht die is achtergebleven in het spuitkanaal van het vet.
► **Fig.30**
3. Sluit het ventiel voor de luchtafvoer wanneer er vet uit de opening komt.
► **Fig.31**

ONDERHOUD

⚠ LET OP: Zorg altijd dat het gereedschap is uitgeschakeld en de accu ervan is verwijderd alvorens te beginnen met onderhoud of inspectie.

KENNISGEVING: Gebruik nooit benzine, wasbenzine, thinner, alcohol en dergelijke. Hierdoor kunnen verkleuring, vervormingen en barsten worden veroorzaakt.

Om de VEILIGHEID en BETROUWBAARHEID van het gereedschap te handhaven, dienen alle reparaties, onderhoud of afstellingen te worden uitgevoerd bij een erkend Makita-servicecentrum of de Makita-fabriek, en altijd met gebruik van Makita-vervangingsonderdelen.

Vet verwijderen

Wanneer het gereedschap wordt opgeborgen of de huls wordt gebruikt waarin vet is achtergebleven, verwijdert u de huls en verwijdert u het oude vet met de volgende procedure.

1. Open het ventiel voor de luchtafvoer.
2. Trek het handvat van de duwstang helemaal eruit en vergrendel hem.
3. Verwijder de huls vanaf het gereedschap.
4. Ontgrendel het handvat van de duwstang. Blijf het handvat van de duwstang vasthouden en duw het handvat van de duwstang langzaam naar voren zodat het vet uit de huls komt.

⚠ LET OP: Laat het handvat van de duwstang niet los. Anders komt het vet er met geweld uit.

KENNISGEVING: Zorg dat er geen stof op de binnenkant van de huls komt. Het stof kan tot verstoppingen leiden binnen in het gereedschap.

KENNISGEVING: Reinig de binnenkant van de huls elke drie maanden.

OPTIONELE ACCESSOIRES

⚠ LET OP: Deze accessoires of hulpstukken worden aanbevolen voor gebruik met het Makita gereedschap dat in deze gebruiksaanwijzing is beschreven. Bij gebruik van andere accessoires of hulpstukken bestaat het gevaar van persoonlijke letsel. Gebruik de accessoires of hulpstukken uitsluitend voor hun bestemde doel.

Wenst u meer bijzonderheden over deze accessoires, neem dan contact op met het plaatselijke Makita-servicecentrum.

- Adapter
- Flexibele slang
- Huls
- Patroonhuls
- Schouderriem
- Vergrendelbare adapter
- Haakse adapter
- Originele Makita accu's en acculaders

OPMERKING: Sommige items op de lijst kunnen zijn inbegrepen in de doos van het gereedschap als standaard toebehoren. Deze kunnen van land tot land verschillen.

De adapter vervangen

Draai de oude adapter los met twee sleutels, zoals aangegeven in de afbeelding, en draai daarna de nieuwe adapter stevig vast.

► Fig.32

OPMERKING: Als vet lekt uit het koppelstuk tussen de slang en de adapter, wikkelt u schroefdraadafdichtingstape rond het schroefdraad-gedeelte van de slang voordat u de adapter bevestigt.

De flexibele slang vervangen

Draai de oude flexibele slang los met een sleutel, zoals aangegeven in de afbeelding, en draai daarna de nieuwe flexibele slang stevig vast.

► Fig.33

⚠ LET OP: Vervang tegelijkertijd de rubber ring bevestigd aan de koppeling van de nieuwe flexibele slang. Als u de flexibele slang vervangt zonder een rubber ring of met de oude rubber ring, kan vet eruit lekken en letsel veroorzaken.

De huls vervangen

OPMERKING: Het type huls verschilt afhankelijk van het land.

OPMERKING: Om een huls van een ander type aan te brengen, zijn extra onderdelen vereist, zoals hieronder beschreven, afhankelijk van het type huls.

De huls veranderen van het type A naar het type B/type C

1. Verwijder de huls van het type A.
2. Verwijder de schroef en daarna de mof.

► Fig.34: 1. Mof 2. Schroef

3. Steek het koppelstuk met de rubber afdichtring erin door het uitsteeksel uit te lijnen met de uitsparing op het bevestigingsdeel en het vervolgens vast te zetten met de schroeven.

4. Breng de huls van het type B/type C aan.

► Fig.35: 1. Koppelstuk 2. Rubber afdichtring
3. Uitsteeksel 4. Groef 5. Schroef

De huls veranderen van het type B/type C naar het type A

1. Verwijder de huls van het type B/type C.
 2. Verwijder de schroeven en het koppelstuk.
- Fig.36: 1. Koppelstuk 2. Rubber afdichtring
3. Schroef

3. Steek de mof in het gereedschap en zet hem vast met een schroef.

4. Breng de huls van het type A aan.

► Fig.37: 1. Mof 2. Schroef

Patroonhuls

U kunt de vetpatroon zien via de opening in de patroonhuls.

► Fig.38

Bij gebruik van de patroonhuls, zet u de plunjeronderdelen over van de betreffende huls op de patroonhuls.

► Fig.39: 1. Punjeronderdelen 2. Patroonhuls

Als het moeilijk is om het handvat van de duwstang eruit te trekken, volgt u de onderstaande procedure.

1. Plaats de lege vetpatroon in de huls.

► Fig.40: 1. Leeg vetpatroon

2. Trek het handvat van de duwstang eruit en vergrendel hem.

► Fig.41

3. Verwijder de lege vetpatroon uit de huls.

Vergrendelbare adapter

⚠ LET OP: Wees voorzichtig dat uw vingers niet bekneld raken in de vergrendelbare adapter.

⚠ LET OP: Draag een veiligheidsbril. Als u de vergrendelbare adapter verwijdert vanaf de vetnippel, kan het vet uit het gereedschap spuiten en letsel veroorzaken.

Om de vergrendelbare adapter aan te sluiten op de vetnippel, drukt u de hendel op de vergrendelbare adapter omlaag, duwt u de vergrendeladapter recht op de vetnippel en laat u vervolgens de hendel los.

► Fig.42: 1. Hendel 2. Vergrendelbare adapter

Om de vergrendelbare adapter te assembleren, raadpleegt u het tekstdeel over het vervangen van de adapter.

Haakse adapter

Bij het aanbrengen van de haakse adapter, duwt u de adapter van het gereedschap recht op de haakse adapter.

► Fig.43: 1. Haakse adapter

OPMERKING: De haakse adapter wordt aanbevolen voor het spuiten van vet bij relatief lage druk, zoals het vervangen van oud vet in scharnierende of schuivende delen van zware machines en voertuigen.

PROBLEMEN OPLOSSEN

Alvorens u verzoekt om reparatie, kunt u zelf als volgt het probleem opsporen en oplossen. Als u met een probleem kampt dat in deze handleiding niet wordt beschreven, probeer dan niet het gereedschap te demonteren. Laat reparaties over aan een erkend Makita-servicecentrum, uitsluitend met gebruik van originele Makita-ervangingsonderdelen.

Probleemomschrijving	Waarschijnlijke oorzaak (storing)	Oplossing
Het gereedschap spuit geen vet.	Lucht is achtergebleven in het spuitkanaal van het vet.	Om de lucht binnenin het gereedschap te verwijderen, opent u het ventiel voor de luchtafvoer.
	Het ventiel voor de luchtafvoer staat open.	Sluit het ventiel voor de luchtafvoer.
	De consistentie van het vet is hoog.	Gebruik vet volgens NLGI nr.0 - nr.2.
	Het vet is hard als gevolg van een lage omgevings-/bewaartemperatuur.	Verwarm het vet vóór gebruik.
	Er zit geen vet in het gereedschap.	Breng vet aan in het gereedschap.
U kunt niet aan het handvat van de duwstang trekken.	Het ventiel voor de luchtafvoer zit dicht.	Open het ventiel voor de luchtafvoer.
Er lekt vet uit de adapter.	Er is slijtage, beschadiging of stof op de vetinspuitpoort (vetnippel).	Reinig of vervang de vetinspuitpoort (vetnippel).
	De adapter is versleten.	Vervang de adapter.
Er komt geen vet uit het ventiel voor de luchtafvoer bij het verwijderen van lucht.	Het ventiel voor de luchtafvoer staat niet ver genoeg open.	Zet het ventiel voor de luchtafvoer verder open.
	Het vet is hard.	De lucht is mogelijk al verwijderd. Sluit het ventiel voor de luchtafvoer, breng de accu aan en schakel het gereedschap in om te controleren of het gereedschap vet spuit.

ESPECIFICACIONES

Modelo:		DGP180
Tensión nominal		CC 18 V
Capacidad para grasa (con barril tipo A)	Cartucho	410 g
	Granel	455 g
Capacidad para grasa (con barril tipo B)	Cartucho	450 g
	Granel	570 g
Presión de trabajo máxima		69 MPa
Caudal máximo	Modo de velocidad lenta	145 ml/min
	Modo de velocidad automática	290 ml/min
Tipo de grasa aplicable		NLGI Núm.0 - Núm.2
Longitud de la manguera		1.200 mm
Longitud total	Con barril tipo A	411 mm
	Con barril tipo B	449 mm
Peso neto		4,8 - 6,1 kg

NOTA: El tipo de barril (tipo A o tipo B) varía dependiendo del país.

- Debido a nuestro continuado programa de investigación y desarrollo, las especificaciones aquí dadas están sujetas a cambios sin previo aviso.
- Las especificaciones y el cartucho de batería pueden diferir de país a país.
- El peso puede variar dependiendo del accesorio(s), incluyendo el cartucho de batería. La combinación menos pesada y la más pesada, de acuerdo con el procedimiento EPTA 01/2014, se muestran en la tabla.

Cartucho de batería y cargador aplicables

Cartucho de batería	BL1815N / BL1820B / BL1830B / BL1840B / BL1850B / BL1860B
Cargador	DC18RC / DC18RD / DC18RE / DC18SD / DC18SE / DC18SF / DC18SH

- Algunos de los cartuchos de batería y cargadores indicados arriba puede que no estén disponibles dependiendo de su región de residencia.

⚠ADVERTENCIA: Utilice solamente los cartuchos de batería y cargadores listados arriba. La utilización de cualquier otro cartucho de batería y cargador puede ocasionar heridas y/o un incendio.

Uso previsto

Esta herramienta ha sido prevista para dispensar grasa.

Ruido

El nivel de ruido A-ponderado típico determinado de acuerdo con la norma EN62841-1:

Nivel de presión sonora (L_{pA}) : 76 dB (A)

Error (K) : 3 dB (A)

NOTA: El valor (o los valores) de emisión de ruido declarado ha sido medido de acuerdo con un método de prueba estándar y se puede utilizar para comparar una herramienta con otra.

NOTA: El valor (o valores) de emisión de ruido declarado también se puede utilizar en una valoración preliminar de exposición.

⚠ADVERTENCIA: Póngase protectores para oídos.

⚠ADVERTENCIA: La emisión de ruido durante la utilización real de la herramienta eléctrica puede variar del valor (o los valores) de emisión declarado dependiendo de las formas en las que la herramienta sea utilizada, especialmente qué tipo de pieza de trabajo se procesa.

⚠ADVERTENCIA: Asegúrese de identificar medidas de seguridad para proteger al operario que estén basadas en una estimación de la exposición en las condiciones reales de utilización (teniendo en cuenta todas las partes del ciclo operativo como las veces cuando la herramienta está apagada y cuando está funcionando en vacío además del tiempo de gatillo).

Vibración

El valor total de la vibración (suma de vectores triaxiales) determinado de acuerdo con la norma EN62841-1: Emisión de vibración (a_{in}) : 2,5 m/s² o menos
Error (K) : 1,5 m/s²

NOTA: El valor (o los valores) total de emisión de vibración declarado ha sido medido de acuerdo con un método de prueba estándar y se puede utilizar para comparar una herramienta con otra.

NOTA: El valor (o los valores) total de emisión de vibración declarado también se puede utilizar en una valoración preliminar de exposición.

⚠ADVERTENCIA: La emisión de vibración durante la utilización real de la herramienta eléctrica puede variar del valor (o los valores) de emisión declarado dependiendo de las formas en las que la herramienta sea utilizada, especialmente qué tipo de pieza de trabajo se procesa.

⚠ADVERTENCIA: Asegúrese de identificar medidas de seguridad para proteger al operario que estén basadas en una estimación de la exposición en las condiciones reales de utilización (teniendo en cuenta todas las partes del ciclo operativo como las veces cuando la herramienta está apagada y cuando está funcionando en vacío además del tiempo de gatillo).

Declaración CE de conformidad

Para países europeos solamente

La declaración CE de conformidad está incluida como Anexo A de esta manual de instrucciones.

ADVERTENCIAS DE SEGURIDAD

Advertencias de seguridad para herramientas eléctricas en general

⚠ADVERTENCIA: Lea todas las advertencias de seguridad, instrucciones, ilustraciones y especificaciones provistas con esta herramienta eléctrica. Si no sigue todas las instrucciones indicadas abajo podrá resultar en una descarga eléctrica, un incendio y/o heridas graves.

Guarde todas las advertencias e instrucciones para futuras referencias.

El término "herramienta eléctrica" en las advertencias se refiere a su herramienta eléctrica de funcionamiento con conexión a la red eléctrica (con cable) o herramienta eléctrica de funcionamiento a batería (sin cable).

Advertencias de seguridad para la pistola engrasadora inalámbrica

1. **Sujete la herramienta firmemente.**
2. **No utilice la herramienta cerca de una llama.** La grasa puede ser inflamable.
3. **Utilice solamente grasa que cumpla con las especificaciones indicadas en este manual de instrucciones.** El empleo de un tipo de grasa diferente o cualquier material a excepción de grasa puede ocasionar un fallo.
4. **No emplee ningún material a excepción de grasa, tal como aceite.** Podría salir a chorro de la herramienta y entrar en los ojos de alguien.
5. **No transporte la herramienta cogiéndola por la manguera flexible ni por el mango de la varilla.**
6. **Póngase gafas cuando utilice la herramienta.**
7. **Compruebe la manguera flexible antes de cada utilización. No utilice la manguera si está retorcida o dañada.** La manguera podría romperse debido a la alta presión y la grasa entrar en los ojos de alguien.
8. **Asegúrese de que la varilla está sujeta firmemente.** La varilla podría moverse accidentalmente y ocasionar un pellizco.
9. **Lea y siga las instrucciones del fabricante de la grasa antes de utilizar.**
10. **Mantenga las manos y las ropas alejadas de la varilla del mango.** De lo contrario, podrá pillarse los dedos o las ropas.
11. **Limpie la grasa adherida a la herramienta.** De lo contrario, podrá ocasionar deslizamiento y resultar en heridas.
12. **No doble la manguera flexible a la fuerza ni la aplaste.** Si lo hace podrá ocasionar una rotura o deformación de la manguera.
13. **No apunte el adaptador hacia nadie en los alrededores.**
14. **Utilice solamente la manguera flexible especificada por Makita.** La utilización de cualquier otra manguera puede presentar un riesgo de heridas.

GUARDE ESTAS INSTRUCCIONES.

Instrucciones de seguridad importantes para el cartucho de batería

1. **Antes de utilizar el cartucho de batería, lea todas las instrucciones e indicaciones de precaución sobre (1) el cargador de baterías, (2) la batería, y (3) el producto con el que se utiliza la batería.**
2. **No desensamble ni manipule el cartucho de batería.** Podrá resultar en un incendio, calor excesivo, o una explosión.
3. **Si el tiempo de uso se acorta demasiado, cese la operación inmediatamente.** Podría resultar en un riesgo de recalentamiento, posibles quemaduras e incluso una explosión.
4. **Si entra electrolito en sus ojos, aclárelos con agua limpia y acuda a un médico inmediatamente.** Existe el riesgo de poder perder la vista.

5. **No cortocircuite el cartucho de batería:**
 - (1) **No toque los terminales con ningún material conductor.**
 - (2) **Evite guardar el cartucho de batería en un cajón junto con otros objetos metálicos, como clavos, monedas, etc.**
 - (3) **No exponga el cartucho de batería al agua ni a la lluvia.**
Un cortocircuito en la batería puede producir una gran circulación de corriente, un recalentamiento, posibles quemaduras e incluso una rotura de la misma.
6. **No guarde ni utilice la herramienta y el cartucho de batería en lugares donde la temperatura pueda alcanzar o exceder los 50 °C.**
7. **Nunca incinere el cartucho de batería incluso en el caso de que esté dañado seriamente o ya no sirva en absoluto. El cartucho de batería puede explotar si se tira al fuego.**
8. **No clave, corte, aplaste, lance, deje caer el cartucho de batería, ni golpee contra un objeto duro el cartucho de batería.** Tal conducta podrá resultar en un incendio, calor excesivo, o una explosión.
9. **No utilice una batería dañada.**
10. **Las baterías de litio-ion contenidas están sujetas a los requisitos de la Legislación para Materiales Peligrosos.** Para transportes comerciales, p.ej., por terceras personas y agentes de transportes, se deberán observar requisitos especiales para el empaquetado y etiquetado. Para la preparación del artículo que se va a enviar, se requiere consultar con un experto en materiales peligrosos. Por favor, observe también la posibilidad de reglamentos nacionales más detallados. Cubra con cinta aislante o enmascare los contactos expuestos y empaquete la batería de tal manera que no se pueda mover alrededor dentro del embalaje.
11. **Para desechar el cartucho de batería, retirelo de la herramienta y deséchelo en un lugar seguro. Siga los reglamentos locales referentes al desecho de la batería.**
12. **Utilice las baterías solamente con los productos especificados por Makita.** La instalación de las baterías en productos no compatibles puede resultar en un incendio, calor excesivo, explosión, o fuga de electrolito.
13. **Si la herramienta no va a ser utilizada durante un periodo de tiempo largo, la batería deberá ser retirada de la herramienta.**
14. **Durante y después de la utilización, el cartucho de batería podrá acumular calor, lo cual puede ocasionar quemaduras o quemaduras de baja temperatura. Preste atención al manejo de cartuchos de batería calientes.**
15. **No toque el terminal de la herramienta inmediatamente después de utilizar, dado que puede calentarse lo suficiente como para ocasionar quemaduras.**
16. **No permita que virutas, polvo, o tierra se adhieran dentro de los terminales, orificios, y ranuras del cartucho de batería.** Esto podría ocasionar calentamiento, que coja fuego, reviente y un mal funcionamiento de la herramienta o el cartucho de batería, resultando en quemaduras o heridas personales.
17. **A menos que la herramienta pueda utilizarse cerca de cables eléctricos de alta tensión, no utilice el cartucho de batería cerca de cables eléctricos de alta tensión.** Podrá resultar en un mal funcionamiento o rotura de la herramienta o el cartucho de batería.
18. **Mantenga la batería alejada de los niños.**

GUARDE ESTAS INSTRUCCIONES.

⚠PRECAUCIÓN: Utilice solamente baterías genuinas de Makita. La utilización de baterías no genuinas de Makita, o baterías que han sido alteradas, puede resultar en una explosión de la batería ocasionando incendios, heridas personales y daños. También anulará la garantía de Makita para la herramienta y el cargador de Makita.

Consejos para alargar al máximo la vida de servicio de la batería

1. **Cargue el cartucho de batería antes de que se descargue completamente. Detenga siempre la operación y cargue el cartucho de batería cuando note menos potencia en la herramienta.**
2. **No cargue nunca un cartucho de batería que esté completamente cargado. La sobrecarga acortará la vida de servicio de la batería.**
3. **Cargue el cartucho de batería a temperatura ambiente de 10 °C - 40 °C. Si un cartucho de batería está caliente, déjelo enfriar antes de cargarlo.**
4. **Cuando no esté utilizando el cartucho de batería, retirelo de la herramienta o del cargador.**
5. **Cargue el cartucho de batería si no lo utiliza durante un periodo de tiempo prolongado (más de seis meses).**

DESCRIPCIÓN DE LAS PARTES

► Fig.1

1	Gatillo interruptor	2	Botón de bloqueo	3	Interruptor de la lámpara
4	Lámpara	5	Botón de bloqueo del gatillo	6	Pomo de cambio del modo de velocidad
7	Drenaje de aire	8	Tapón de la boca de llenado	9	Manguera flexible
10	Adaptador	11	Agujero para correa	12	Cartucho de batería
13	Barril	14	Mango de la varilla	15	Sujetador de manguera
16	Válvula de seguridad de presión	17	Correa de hombro	-	-

DESCRIPCIÓN DEL FUNCIONAMIENTO

⚠️ PRECAUCIÓN: Asegúrese siempre de que la herramienta esté apagada y el cartucho de batería retirado antes de realizar cualquier ajuste o comprobación en la herramienta.

Instalación o extracción del cartucho de batería

⚠️ PRECAUCIÓN: Apague siempre la herramienta antes de instalar o retirar el cartucho de batería.

⚠️ PRECAUCIÓN: Sujete la herramienta y el cartucho de batería firmemente cuando instale o retire el cartucho de batería. Si no sujeta la herramienta y el cartucho de batería firmemente podrán caérsele de las manos y resultar en daños a la herramienta y al cartucho de batería y heridas personales.

► **Fig.2:** 1. Indicador rojo 2. Botón 3. Cartucho de batería

Para retirar el cartucho de batería, deslícelo de la herramienta mientras desliza el botón de la parte frontal del cartucho.

Para instalar el cartucho de batería, alinee la lengüeta del cartucho de batería con la ranura del alojamiento y deslícelo al interior hasta encajarlo en su sitio. Insértelo por completo hasta que se bloquee en su sitio con un pequeño chasquido. Si puede ver el indicador rojo como se muestra en la figura, no estará bloqueado completamente.

⚠️ PRECAUCIÓN: Instale siempre el cartucho de batería completamente hasta que no pueda verse el indicador rojo. En caso contrario, podrá caerse accidentalmente de la herramienta y ocasionarle heridas a usted o a alguien que esté cerca de usted.

⚠️ PRECAUCIÓN: No instale el cartucho de batería empleando fuerza. Si el cartucho no se desliza al interior fácilmente, será porque no está siendo insertado correctamente.

Sistema de protección de la herramienta / batería

La herramienta está equipada con un sistema de protección de la herramienta/batería. Este sistema corta automáticamente la alimentación al motor para alargar la vida de servicio de la herramienta y la batería. La herramienta se detendrá automáticamente durante la operación si la herramienta o la batería es puesta en una de las condiciones siguientes:

Protección contra sobrecarga

Cuando la herramienta/batería sea operada de manera que le haga absorber una corriente anormalmente alta, la herramienta se detendrá automáticamente sin ninguna indicación. En esta situación, apague la herramienta y detenga la aplicación que ocasiona la sobrecarga de la herramienta. Después encienda la herramienta para volver a empezar.

Protección contra el recalentamiento

Cuando la herramienta o la batería se recalienta, la herramienta se detiene automáticamente y la lámpara parpadea. En este caso, deje que la herramienta y la batería se enfríen antes de encender la herramienta otra vez.

Protección contra descarga excesiva

Cuando la capacidad de batería no es suficiente, la herramienta se detiene automáticamente. En este caso, retire la batería de la herramienta y cargue la batería.

NOTA: El sistema de protección puede volverse más propenso a funcionar dependiendo de la temperatura ambiente o el tipo y la condición de la grasa.

Protección contra otras causas

El sistema de protección también ha sido diseñado para otras causas que pueden dañar la herramienta y permite a la herramienta detenerse automáticamente. Realice todos los pasos siguientes para despejar las causas, cuando la herramienta haya sido llevada a una pausa temporal o a una parada en la operación.

1. Apague la herramienta, y después vuelva a encenderla para volver a comenzar.
2. Cargue la batería(s) o reemplácela(s) con una batería(s) regargada(s).
3. Deje que la herramienta y la batería(s) se enfríen.




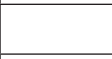

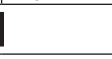






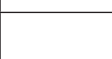

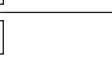






Si no se nota una mejora al restablecer el sistema de protección, póngase en contacto con el centro de servicio Makita local.

Modo de indicar la capacidad de batería restante

Solamente para cartuchos de batería con el indicador

► **Fig.3:** 1. Lámparas indicadoras 2. Botón de comprobación

Presione el botón de comprobación en el cartucho de batería para indicar la capacidad de batería restante. Las lámparas indicadoras se iluminan durante unos pocos segundos.

Lámparas indicadoras			Capacidad restante
Iluminada	Apagada	Parpadeando	
			75% a 100%
			50% a 75%
			25% a 50%
			0% a 25%
			Cargue la batería.
			Puede que la batería no esté funcionando bien.
			

NOTA: Dependiendo de las condiciones de utilización y de la temperatura ambiente, la indicación podrá variar ligeramente de la capacidad real.

NOTA: La primera lámpara indicadora (extremo izquierdo) parpadeará cuando el sistema de protección de la batería esté funcionando.

Acción del interruptor

⚠PRECAUCIÓN: Antes de insertar el cartucho de batería en la herramienta, compruebe siempre para cerciorarse de que el gatillo interruptor se acciona debidamente y que vuelve a la posición "OFF" cuando lo suelta.

⚠PRECAUCIÓN: Cuando no esté utilizando la herramienta, presione hacia dentro el botón de bloqueo del gatillo desde el lado "A" para bloquear el gatillo interruptor en la posición apagada.

Para evitar que el gatillo interruptor pueda ser apretado accidentalmente, se ha provisto el botón de bloqueo del gatillo.

Para poner en marcha la herramienta, presione hacia dentro el botón de bloqueo del gatillo desde el lado "B" y apriete el gatillo interruptor.

La velocidad de la herramienta incrementa aumentando la presión en el gatillo interruptor. Suelte el gatillo interruptor para parar. Después de utilizar, presione siempre hacia dentro el botón de bloqueo del gatillo desde el lado "A".

Para una operación continua, apriete el gatillo interruptor y después presione hacia dentro el botón de bloqueo. Para parar la herramienta desde la posición bloqueada, apriete el gatillo interruptor a tope para desbloquear.

► **Fig.4:** 1. Interruptor disparador 2. Botón de bloqueo 3. Botón de bloqueo del gatillo

Encendido de la lámpara delantera

⚠PRECAUCIÓN: No mire a la luz ni vea la fuente de luz directamente.

Presione el interruptor de la lámpara para encender la lámpara. Presione el interruptor de la lámpara otra vez para apagar la lámpara. Cuando la herramienta sea dejada sin realizar ninguna operación durante unos 60 segundos con el motor parado, la lámpara se apagará.

► **Fig.5:** 1. Lámpara 2. Interruptor de la lámpara

AVISO: Utilice un paño seco para quitar la suciedad de la lente de la lámpara. Tenga cuidado de no rayar la lente de la lámpara, porque podrá disminuir la iluminación.

Selección del modo de velocidad

AVISO: Cambie el modo de velocidad solamente después de que la herramienta se haya parado completamente.

La herramienta emplea el pomo de cambio del modo de velocidad. Gire el pomo de forma que la flecha en el pomo apunte hacia uno de los dos modos de abajo;

1	Modo de velocidad lenta: Dispensa grasa a velocidad lenta constante.
2	Modo de velocidad automática: Aplica grasa variando el caudal automáticamente de acuerdo con la presión del destino del suministro.

► **Fig.6:** 1. Pomo de cambio del modo de velocidad

Válvula de seguridad de presión

Cuando la presión interna en la herramienta excede un cierto nivel, sale grasa por la válvula de seguridad de presión para reducir la presión interna.

► **Fig.7:** 1. Válvula de seguridad de presión

⚠PRECAUCIÓN: No retire ni haga ningún ajuste a la válvula de seguridad de presión.

⚠PRECAUCIÓN: No retire la cubierta de la válvula de seguridad de presión. De lo contrario, podrán salir chorros de grasa por la válvula de seguridad de presión y entrar en sus ojos.

MONTAJE

⚠PRECAUCIÓN: Asegúrese siempre de que la herramienta está apagada y el cartucho de batería retirado antes de realizar cualquier trabajo en la herramienta.

Desmontaje o instalación del barril

Para retirar el barril, desenrózquelo como se muestra en la ilustración.

► **Fig.8:** 1. Barril

Para instalar el barril, insértele en la herramienta y después enrózquelo a la inversa.

► **Fig.9:** 1. Barril

Mango de la varilla

AVISO: No tire el mango de la varilla con la válvula para drenaje de aire apretada mientras el barril está instalado en la herramienta. Asegúrese de que la válvula para drenaje de aire ha sido aflojada. En caso contrario, podrá ocasionar un mal funcionamiento.

Tire del mango de la varilla cuando instale grasa en el barril.

► **Fig.10:** 1. Mango de la varilla 2. Varilla

Para bloquear el mango de la varilla completamente extraído, tire del mango de la varilla hasta que la acanaladura en la varilla se pueda ver, y después enganche la acanaladura en la ranura. Para desbloquear el mango de la varilla, desenganche la acanaladura de forma que la varilla se mueva hacia adelante.

► **Fig.11:** 1. Acanaladura 2. Ranura

⚠PRECAUCIÓN: Asegúrese de que el mango de la varilla está bloqueado firmemente. De lo contrario, podrá desbloquearse accidentalmente y ocasionar un pellizco.

Sujetador de manguera

El sujetador de manguera se puede colocar en cualquiera de los lados de la herramienta con el tornillo.

► **Fig.12:** 1. Sujetador de manguera 2. Tornillo

Correa de hombro

⚠ADVERTENCIA: No utilice nunca el agujero para correa con un acollador (correa de amarre). Si lo hace podrá resultar en heridas graves porque el agujero para correa no ha sido pensado para un dispositivo de seguridad de prevención de caídas.

⚠ADVERTENCIA: Cuando transporte la herramienta, siga sujetándola aunque esté utilizando la correa de hombro. Transportar la herramienta utilizando solamente la correa de hombro hará que esta sea inestable. La correa de hombro podrá soltarse o la herramienta podrá golpear otros objetos y ocasionar heridas.

Coloque los ganchos de la correa de hombro en los soportes de los agujeros para correa como se muestra en la figura.

► **Fig.13:** 1. Correa de hombro 2. Gancho 3. Soporte

OPERACIÓN

Suministro de grasa

⚠ADVERTENCIA: Asegúrese de leer los manuales de instrucciones de la grasa y/o de otros instrumentos y sustituya los contenidos siguientes según sea necesario. Un mal uso o no seguir las instrucciones puede dañar la herramienta y ocasionar heridas.

AVISO: Cuando vaya a utilizar el barril con los restos de grasa anterior, retire el barril y purgue la grasa anterior de acuerdo con la sección para la purga de grasa.

Hay las formas siguientes de cargar grasa:

Instalando un cartucho de grasa (se compra en el comercio) en el barril

AVISO: (Para barril tipo A solamente)

Utilice el cartucho de grasa cuyo borde se pueda enganchar en la superficie extrema del barril.

AVISO: (Para el barril tipo B/tipo C solamente)

Utilice el cartucho de grasa cuyo borde se pueda enganchar en el paso interior del barril.

1. Afloje la válvula para drenaje de aire.

► **Fig.14:** 1. Válvula

2. Tire completamente del mango de la varilla y bloquéelo.

► **Fig.15:** 1. Acanaladura 2. Varilla 3. Mango de la varilla

3. Retire el barril de la herramienta.

► **Fig.16:** 1. Barril

4. Retire la tapa de plástico del cartucho de grasa e inserte el cartucho de grasa en el barril.

► **Fig.17:** 1. Cartucho de grasa (se compra en el comercio) 2. Anilla desprendible

5. Retire la anilla desprendible del cartucho de grasa y después instale el barril en la herramienta.

Si hay holgura entre el borde del cartucho de grasa y el barril, enrosque el barril en la herramienta mientras presiona el barril hacia adelante.

► **Fig.18**

6. Libere el mango de la varilla.

► **Fig.19**

7. Expulse el aire que queda en la trayectoria de flujo de la grasa.

► **Fig.20**

8. Apriete la válvula para drenaje de aire cuando vea la grasa saliendo por el agujero.

► **Fig.21**

NOTA: Si la herramienta no puede dispensar grasa con precisión, es posible que quede aire en la trayectoria de flujo de la grasa. Afloje la válvula para drenaje de aire y expulse el aire. (Consulte la sección para expulsión de aire).

Llenando de grasa el barril desde un recipiente a granel (se compra en el comercio)

1. Afloje la válvula para drenaje de aire.

2. Tire completamente del mango de la varilla y bloquéelo.

3. Retire el barril de la herramienta.

Desbloquee el mango de la varilla y mueva la varilla hacia adelante con cuidado.

4. Sumerja la punta del barril en la grasa y después tire del mango de la varilla. La grasa se bombea al interior del barril.

► **Fig.22:** 1. Recipiente a granel (se compra en el comercio)

5. Tire completamente del mango de la varilla y bloquéelo.

► **Fig.23**

6. Instale el barril en la herramienta y después desbloquee el mango de la varilla.

7. Expulse el aire que queda en la trayectoria de flujo de la grasa.

8. Apriete la válvula para drenaje de aire cuando vea la grasa saliendo por el agujero.

AVISO: Cuando bloquee el mango de la varilla, asegúrese de que queda bloqueado firmemente. De lo contrario, el mango de la varilla se desbloqueará involuntariamente, y la grasa saldrá por el barril.

NOTA: (Para el barril tipo B/tipo C solamente)

La cantidad de grasa a llenar deberá quedar por debajo de la línea de acanaladura de rosca. De lo contrario, la grasa podrá desbordarse cuando instale el barril en la herramienta.

► **Fig.24:** 1. Barril (tipo B/tipo C) 2. Acanaladura de rosca 3. Grasa

NOTA: Si la herramienta no puede dispensar grasa con precisión, es posible que quede aire en la trayectoria de flujo de la grasa. Afloje la válvula para drenaje de aire y expulse el aire. (Consulte la sección para expulsión de aire).

También puede llenar de grasa el barril utilizando una bomba de llenado (se compra en el comercio) colocada en el recipiente a granel.

1. Retire el barril de la herramienta.
2. Enrolle cinta de sellado de roscas alrededor de la parte roscada del adaptador de cargador (se compra en el comercio).
3. Retire el tapón de la boca de llenado. Coloque un adaptador de cargador en la boca de llenado.
4. Instale el barril en la herramienta. (El mango de la varilla está desbloqueado).
5. Asegúrese de que la válvula para drenaje de aire ha sido apretada.

Conecte el adaptador de cargador al adaptador de la bomba de llenado.

► **Fig.25:** 1. Tapón de la boca de llenado 2. Boca de llenado 3. Adaptador de cargador (se compra en el comercio) 4. Bomba de llenado (se compra en el comercio) 5. Adaptador

6. Haga funcionar la bomba de llenado. La varilla del mango será empujada hacia afuera a medida que el barril se llene de grasa.

► **Fig.26**

7. Desconecte el adaptador de cargador del adaptador de la bomba de llenado.
8. Expulse el aire que queda en la trayectoria de flujo de la grasa.
9. Apriete la válvula para drenaje de aire cuando vea la grasa saliendo por el agujero.

ADVERTENCIA: Utilice un adaptador de cargador de baja presión solamente. No utilice nunca un adaptador de cargador de alta presión, de lo contrario podrá dañar la herramienta y ocasionar heridas personales.

PRECAUCIÓN: Sujete la herramienta firmemente cuando llene la grasa utilizando una bomba de llenado. La herramienta podrá caerse y ocasionar heridas.

AVISO: Detenga el llenado de grasa cuando vea la acanaladura de la varilla. De lo contrario, podrá producirse una fuga de grasa.

NOTA: Si la herramienta no puede dispensar grasa con precisión, es posible que quede aire en la trayectoria de flujo de la grasa. Afloje la válvula para drenaje de aire y expulse el aire. (Consulte la sección para expulsión de aire).

Expulsión de aire

Si queda aire en la trayectoria de flujo de la grasa, la herramienta no podrá dispensar grasa con precisión. Expulse el aire antes de cada utilización, y también cuando la herramienta no parezca funcionar debidamente a causa del aire.

1. Para expulsar el aire del interior de la herramienta, afloje la válvula para drenaje de aire. El aire sale por el agujero para drenaje de aire.
2. Apriete la válvula cuando vea la grasa saliendo por el agujero.

► **Fig.27:** 1. Válvula

ADVERTENCIA: Póngase las gafas de protección cuando expulse el aire.

PRECAUCIÓN: Limpie la grasa que sale por el drenaje de aire con un paño seco o algo similar. De lo contrario, podrá ocasionar deslizamiento y resultar en heridas.

Dispensación de grasa

En los casos siguientes, purgue la grasa anterior del interior de la herramienta antes de utilizar;

- Cuando utilice la herramienta por primera vez o;
- Cuando utilice un tipo diferente de grasa del que utilizó la vez anterior.

Con el barril lleno de grasa nueva, haga funcionar la herramienta durante un rato hasta que la grasa anterior salga expulsada por el adaptador.

AVISO: No conecte el adaptador al engrasador hasta que la grasa anterior se haya purgado. Si se mezclan diferentes clases de grasa, el rendimiento de la grasa se podrá deteriorar.

NOTA: La herramienta ha sido probada en la fábrica y en ella queda una pequeña cantidad de grasa.

Realice el procedimiento siguiente para dispensar la grasa.

PRECAUCIÓN: Compruebe siempre el modo de velocidad antes de la operación.

AVISO: Antes de conectar el adaptador al engrasador, asegúrese siempre de que la herramienta dispensa grasa debidamente.

AVISO: No conecte el adaptador al engrasador a la fuerza.

1. Limpie el adaptador y el engrasador antes de hacer la conexión. Empuje el adaptador en línea recta hacia el engrasador.
2. Apriete el gatillo interruptor para dispensar la grasa. ► Fig.28
3. Cuando haya terminado de dispensar la grasa, retire el adaptador del engrasador. Inclíne ligeramente el adaptador para liberar la presión interna y después retire el adaptador del engrasador.

Limpie la grasa del adaptador y del engrasador.

AVISO: No deje la herramienta en marcha incluso después de haber agotado la grasa. Ello podrá acortar la vida de servicio de la herramienta.

NOTA: Si la herramienta no puede dispensar grasa con precisión, es posible que quede aire en la trayectoria de flujo de la grasa. Afloje la válvula para drenaje de aire y expulse el aire. (Consulte la sección para expulsión de aire).

NOTA: Si la presión interna sube mientras el gatillo interruptor no está apretado completamente, el sistema de protección se pondrá en marcha y el motor se detendrá aunque la herramienta no alcance la presión de trabajo máxima. Cuando inyecte la grasa a alta presión, apriete el gatillo interruptor completamente.

NOTA: La herramienta se detendrá automáticamente cuando lleve funcionando más de 6 minutos.

En el caso de que la herramienta no pueda dispensar grasa con precisión

Si la herramienta no puede dispensar grasa con precisión, es posible que quede aire en la trayectoria de flujo de la grasa. Expulse el aire de acuerdo con el procedimiento siguiente.

1. Afloje la válvula para drenaje de aire. ► Fig.29: 1. Válvula
2. Expulse el aire que queda en la trayectoria de flujo de la grasa. ► Fig.30
3. Apriete la válvula para drenaje de aire cuando vea la grasa saliendo por el agujero. ► Fig.31

MANTENIMIENTO

PRECAUCIÓN: Asegúrese siempre de que la herramienta está apagada y de que el cartucho de batería está retirado antes de intentar hacer una inspección o mantenimiento.

AVISO: No utilice nunca gasolina, bencina, disolvente, alcohol o similares. Podría producir descoloración, deformación o grietas.

Para mantener la SEGURIDAD y FIABILIDAD del producto, las reparaciones, y cualquier otra tarea de mantenimiento o ajuste deberán ser realizadas en centros de servicio o de fábrica autorizados por Makita, empleando siempre repuestos Makita.

Purga de grasa

Cuando vaya a almacenar la herramienta o a utilizar un barril en el que aún queda grasa, retire el barril y purgue la grasa anterior siguiendo el procedimiento siguiente.

1. Afloje la válvula para drenaje de aire.
2. Tire completamente del mango de la varilla y bloquéelo.
3. Retire el barril de la herramienta.
4. Desbloquee el mango de la varilla. Siga sujetando el mango de la varilla y mueva despacio el mango de la varilla hacia adelante de forma que la grasa salga del barril.

PRECAUCIÓN: No suelte el mango de la varilla. De lo contrario, la grasa emergerá con fuerza.

AVISO: Mantenga el polvo alejado del interior del barril. El polvo se puede quedar atascado en la herramienta.

AVISO: Limpie el interior del barril una vez cada tres meses.

ACCESORIOS OPCIONALES

PRECAUCIÓN: Estos accesorios o aditamentos están recomendados para su uso con la herramienta Makita especificada en este manual. El uso de cualquier otro accesorio o aditamento puede suponer un riesgo de heridas personales. Utilice el accesorio o aditamento solamente con la finalidad indicada para el mismo.

Si necesita cualquier ayuda para más detalles en relación con estos accesorios, pregunte al centro de servicio Makita local.

- Adaptador
- Manguera flexible
- Barril
- Barril de cartucho
- Correa de hombro
- Adaptador de bloqueo
- Adaptador de ángulo
- Batería y cargador genuinos de Makita

NOTA: Algunos elementos de la lista podrán estar incluidos en el paquete de la herramienta como accesorios estándar. Pueden variar de un país a otro.

Reemplazo del adaptador

Afloje y retire el adaptador viejo con dos llaves como se muestra en la ilustración y después apriete el adaptador nuevo firmemente.

► Fig.32

NOTA: Si se fuga grasa por la junta entre la manguera y el adaptador, enrolle cinta de sellado de roscas alrededor de la parte roscada de la manguera antes de conectar el adaptador.

Reemplazo de la manguera flexible

Afloje y retire la manguera flexible vieja con una llave como se muestra en la ilustración y después apriete la manguera flexible nueva firmemente.

► **Fig.33**

⚠PRECAUCIÓN: Reemplace el anillo de goma colocado en la parte de conexión de la manguera flexible nueva al mismo tiempo. Si reemplaza la manguera flexible sin el anillo de goma o con el anillo de goma viejo, podrá haber fugas de grasa y ocasionar heridas.

Cambio de barril

NOTA: El tipo de barril varía dependiendo del país.

NOTA: Para instalar un barril de diferente tipo, se requieren piezas adicionales descritas abajo en función del tipo de barril.

Cambio de barril de tipo A a tipo B/tipo C

1. Retire el barril tipo A.
2. Retire el tornillo y después el manguito.
► **Fig.34:** 1. Manguito 2. Tornillo
3. Inserte la junta con la empaquetadura de goma a la vez que alinea la lengüeta con la acanaladura en la parte de montaje y después sujétela con tornillos.
4. Instale el barril tipo B/tipo C.
► **Fig.35:** 1. Junta 2. Empaquetadura de goma 3. Lengüeta 4. Acanaladura 5. Tornillo

Cambio de barril de tipo B/tipo C a tipo A

1. Retire el barril tipo B/tipo C.
2. Desatornille y retire la junta.
► **Fig.36:** 1. Junta 2. Empaquetadura de goma 3. Tornillo
3. Inserte el manguito en la carcasa de la herramienta, después sujételo con un tornillo.
4. Instale el barril tipo A.
► **Fig.37:** 1. Manguito 2. Tornillo

Barril de cartucho

Puede ver el cartucho de grasa a través del agujero del barril de cartucho.

► **Fig.38**

Cuando utilice el barril de cartucho, transfiera las piezas del pistón del barril correspondiente al barril de cartucho.

► **Fig.39:** 1. Piezas del pistón 2. Barril de cartucho

Si resulta difícil extraer el mango de la varilla, siga el procedimiento de abajo.

1. Inserte el cartucho de grasa vacío en el barril.
► **Fig.40:** 1. Cartucho de grasa vacío
2. Tire del mango de la varilla y bloquéelo.
► **Fig.41**
3. Retire el cartucho de grasa vacío del barril.

Adaptador de bloqueo

⚠PRECAUCIÓN: Tenga cuidado de no pillarse el dedo en el adaptador de bloqueo.

⚠PRECAUCIÓN: Póngase gafas de protección. Cuando retire el adaptador de bloqueo del engrasador, la grasa podrá salir a borbotones de la herramienta y ocasionar heridas.

Cuando conecte el adaptador de bloqueo al engrasador, empuje el adaptador de bloqueo en línea recta hacia el engrasador mientras aprieta la palanca del adaptador de bloqueo, después libere la palanca.

► **Fig.42:** 1. Palanca 2. Adaptador de bloqueo

Para montar el adaptador de bloqueo, consulte la sección para reemplazo del adaptador.

Adaptador de ángulo

Cuando coloque el adaptador de ángulo, empuje el adaptador de la herramienta en línea recta hacia el adaptador de ángulo.

► **Fig.43:** 1. Adaptador de ángulo

NOTA: El adaptador de ángulo se recomienda para inyectar grasa a una presión relativamente baja, como al reemplazar grasa antigua en juntas o en piezas deslizables de maquinaria pesada y vehículos.

SOLUCIÓN DE PROBLEMAS

Antes de solicitar reparaciones, realice su propia inspección en primer lugar. Si encuentra un problema que no está explicado en el manual, no intente desmontar la herramienta. En su lugar, pregunte en los centros de servicio autorizados Makita, utilizando siempre piezas de recambio Makita para las reparaciones.

Estado de anomalía	Causa probable (mal funcionamiento)	Remedio
La herramienta no dispensa grasa.	Queda aire en la trayectoria de flujo de la grasa.	Para expulsar el aire del interior de la herramienta, afloje la válvula para drenaje de aire.
	La válvula para drenaje de aire está floja.	Apriete la válvula para drenaje de aire.
	La consistencia de la grasa es alta.	Utilice grasa NLGI Núm.0 - Núm.2.
	La grasa está endurecida debido a una temperatura ambiente o de almacenamiento baja.	Caliente la grasa antes de usarla.
	No hay grasa dentro de la herramienta.	Ponga grasa dentro de la herramienta.
No se puede tirar del mango de la varilla.	La válvula para drenaje de aire está apretada.	Afloje la válvula para drenaje de aire.
Se fuga grasa por el adaptador.	El pitorro de inyección de grasa (engrasador) está gastado, dañado o tiene polvo.	Limpie o reemplace el pitorro de inyección de grasa (engrasador).
	El adaptador está desgastado.	Reemplace el adaptador.
No sale grasa por la válvula de drenaje de aire cuando se expulsa el aire.	La válvula de drenaje de aire no está suficientemente aflojada.	Afloje más la válvula de drenaje de aire.
	La grasa está endurecida.	Puede que el aire ya haya sido expulsado. Apriete la válvula para drenaje de aire, instale el cartucho de batería, y encienda la herramienta para comprobar si dispensa grasa.

ESPECIFICAÇÕES

Modelo:		DGP180
Tensão nominal		CC 18 V
Capacidade de massa lubrificante (com tubo do tipo A)	Cartucho	410 g
	Peso	455 g
Capacidade de massa lubrificante (com tubo do tipo B)	Cartucho	450 g
	Peso	570 g
Pressão máxima de funcionamento		69 MPa
Caudal máximo	Modo de baixa velocidade	145 ml/min
	Modo de velocidade automática	290 ml/min
Tipo de massa lubrificante aplicável		NLGI n.º 0 - n.º 2
Comprimento da mangueira		1.200 mm
Comprimento total	Com tubo do tipo A	411 mm
	Com tubo do tipo B	449 mm
Peso líquido		4,8 - 6,1 kg

NOTA: O tipo de tubo (tipo A ou tipo B) varia em função do país.

- Devido a um programa contínuo de pesquisa e desenvolvimento, estas especificações estão sujeitas a alteração sem aviso prévio.
- As especificações e a bateria podem variar de país para país.
- O peso poderá diferir em função do acessório(s), incluindo a bateria. A combinação mais leve e mais pesada, de acordo com o Procedimento EPTA 01/2014, é apresentada na tabela.

Bateria e carregador aplicável

Bateria	BL1815N / BL1820B / BL1830B / BL1840B / BL1850B / BL1860B
Carregador	DC18RC / DC18RD / DC18RE / DC18SD / DC18SE / DC18SF / DC18SH

- Algumas das baterias e carregadores listados acima poderão não estar disponíveis, dependendo da sua região de residência.

⚠AVISO: Utilize apenas as baterias e carregadores listados acima. A utilização de quaisquer outras baterias e carregadores pode causar ferimentos e/ou um incêndio.

Utilização a que se destina

Esta ferramenta destina-se à aplicação de massa lubrificante.

Ruído

A característica do nível de ruído A determinado de acordo com a EN62841-1:
 Nível de pressão acústica (L_{pA}) : 76 dB (A)
 Variabilidade (K): 3 dB (A)

NOTA: O(s) valor(es) da emissão de ruído indicado(s) foi medido de acordo com um método de teste padrão e pode ser utilizado para comparar duas ferramentas.

NOTA: O(s) valor(es) da emissão de ruído indicado(s) pode também ser utilizado na avaliação preliminar da exposição.

⚠AVISO: Utilize protetores auriculares.

⚠AVISO: A emissão de ruído durante a utilização real da ferramenta elétrica pode diferir do(s) valor(es) indicado(s), dependendo das formas como a ferramenta é utilizada, especialmente o tipo de peça de trabalho que é processada.

⚠AVISO: Certifique-se de identificar as medidas de segurança para proteção do operador que sejam baseadas em uma estimativa de exposição em condições reais de utilização (considerando todas as partes do ciclo de operação, tal como quando a ferramenta está desligada e quando está a funcionar em marcha lenta além do tempo de acionamento).

Vibração

Valor total da vibração (soma vetorial tri-axial) determinado de acordo com a EN62841-1:

Emissão de vibração (a_{h1}): 2,5 m/s² ou menos

Variabilidade (K): 1,5 m/s²

NOTA: O(s) valor(es) total(ais) de vibração indicado(s) foi medido de acordo com um método de teste padrão e pode ser utilizado para comparar duas ferramentas.

NOTA: O(s) valor(es) total(ais) de vibração indicado(s) pode também ser utilizado na avaliação preliminar da exposição.

⚠️ AVISO: A emissão de vibração durante a utilização real da ferramenta elétrica pode diferir do(s) valor(es) indicado(s), dependendo das formas como a ferramenta é utilizada, especialmente o tipo de peça de trabalho que é processada.

⚠️ AVISO: Certifique-se de identificar as medidas de segurança para proteção do operador que sejam baseadas em uma estimativa de exposição em condições reais de utilização (considerando todas as partes do ciclo de operação, tal como quando a ferramenta está desligada e quando está a funcionar em marcha lenta além do tempo de acionamento).

Declaração de conformidade da CE

Apenas para os países europeus

A declaração de conformidade da CE está incluída como Anexo A neste manual de instruções.

AVISOS DE SEGURANÇA

Avisos gerais de segurança para ferramentas elétricas

⚠️ AVISO: Leia todos os avisos de segurança, instruções, ilustrações e especificações fornecidos com esta ferramenta elétrica. O não cumprimento de todas as instruções indicadas em baixo pode resultar em choque elétrico, incêndio e/ou ferimentos graves.

Guarde todos os avisos e instruções para futuras referências.

O termo "ferramenta elétrica" nos avisos refere-se às ferramentas elétricas ligadas à corrente elétrica (com cabo) ou às ferramentas elétricas operadas por meio de bateria (sem cabo).

Avisos de segurança do aplicador de graxa a bateria

1. **Segure a ferramenta firmemente.**
2. **Não utilize a ferramenta perto de chamas.** A massa lubrificante pode ser inflamável.
3. **Utilize apenas massa lubrificante que cumpra as especificações indicadas neste manual de instruções.** A colocação de um tipo diferente de massa lubrificante ou quaisquer materiais que não sejam massa lubrificante pode provocar avarias.
4. **Não coloque quaisquer materiais que não sejam massa lubrificante, tais como óleo.** Tal pode esguichar para fora da ferramenta e entrar para os olhos.
5. **Não transporte a ferramenta através da mangueira flexível ou da pega da haste.**
6. **Use óculos quando utilizar a ferramenta.**
7. **Verifique a mangueira flexível antes de cada utilização. Não utilize a mangueira se estiver dobrada ou danificada.** A mangueira pode ser rompida pela alta pressão e a massa lubrificante entra para os olhos.
8. **Certifique-se de que a haste está fixada firmemente.** A haste pode deslocar-se acidentalmente e causar uma entaladela.
9. **Leia e cumpra as instruções do fabricante de massa lubrificante antes da utilização.**
10. **Mantenha as mãos e as roupas afastadas da haste da respetiva pega.** Caso contrário, poderá entalar os dedos ou as roupas.
11. **Limpe a massa lubrificante que tenha aderido à ferramenta.** Caso contrário, pode causar escorregamento e provocar ferimentos.
12. **Não dobre a mangueira flexível com força nem a marque.** Ao fazê-lo pode causar uma rutura ou a deformação da mangueira.
13. **Não aponte o adaptador a ninguém que esteja nas proximidades.**
14. **Utilize apenas a mangueira flexível especificada pela Makita.** A utilização de qualquer outra mangueira pode representar risco de ferimentos.

GUARDE ESTAS INSTRUÇÕES.

Instruções de segurança importantes para a bateria

1. **Antes de utilizar a bateria, leia todas as instruções e etiquetas de precaução no (1) carregador de bateria (2) bateria e (3) produto que utiliza a bateria.**
2. **Não desmonte ou manipule a bateria.** Pode resultar num incêndio, em calor excessivo ou numa explosão.
3. **Se o tempo de funcionamento se tornar excessivamente curto, pare o funcionamento imediatamente.** Pode resultar em sobreaquecimento, possíveis queimaduras e mesmo explosão.
4. **Se entrar eletrólito nos seus olhos, lave-os com água e consulte imediatamente um médico.** Pode resultar em perda de visão.

5. Não coloque a bateria em curto-circuito:
 - (1) Não toque nos terminais com qualquer material condutor.
 - (2) Evite guardar a bateria juntamente com outros objetos metálicos tais como pregos, moedas, etc.
 - (3) Não exponha a bateria à água ou chuva. Um curto-circuito pode ocasionar um enorme fluxo de corrente, sobreaquecimento, possíveis queimaduras e mesmo estragar-se.
6. Não guarde nem utilize a ferramenta e a bateria em locais onde a temperatura pode atingir ou exceder 50 °C.
7. Não queime a bateria mesmo que esteja estragada ou completamente gasta. A bateria pode explodir no fogo.
8. Não preegue, corte, esmague, atire, deixe cair a bateria, nem bata a bateria contra um objeto rijo. Esta conduta pode resultar num incêndio, em calor excessivo ou numa explosão.
9. Não utilize uma bateria danificada.
10. As baterias de íões de lítio contidas na ferramenta são sujeitas aos requisitos da DGL (Dangerous Goods Legislation - Legislação de bens perigosos).
Para o transporte comercial, por exemplo, por terceiros ou agentes de expedição, têm de ser observados os requisitos referentes à embalagem e etiquetagem.
Para preparação do artigo a ser expedido, é necessário consultar um perito em materiais perigosos. Tenha ainda em conta a possibilidade de existirem regulamentos nacionais mais detalhados. Coloque fita-cola ou tape os contactos abertos e embale a bateria de tal forma que não possa mover-se dentro da embalagem.
11. Quando eliminar a bateria, remova-a da ferramenta e elimine-a num local seguro. Siga os regulamentos locais relacionados com a eliminação de baterias.
12. Utilize as baterias apenas com os produtos especificados pela Makita. Instalar as baterias em produtos não-conformes poderá resultar num incêndio, calor excessivo, explosão ou fuga de eletrólito.
13. Se a ferramenta não for utilizada durante um período de tempo prolongado, a bateria deve ser removida da ferramenta.
14. Durante e após a utilização, a bateria pode aquecer, o que pode provocar queimaduras ou queimaduras a baixa temperatura. Preste atenção ao manuseamento de baterias quentes.
15. Não toque no terminal da ferramenta imediatamente após a utilização, pois pode ficar suficientemente quente para provocar queimaduras.
16. Não permita a adesão de aparas, pó ou sujidade nos terminais, nos orifícios e nas ranhuras da bateria. Poderá fazer com que a ferramenta ou a bateria aqueça, incendeie, rebente e avarie, resultando em queimaduras ou ferimentos corporais.
17. A menos que a ferramenta suporte a utilização perto de linhas elétricas de alta tensão, não utilize a bateria perto de linhas elétricas de alta tensão. Pode resultar no mau funcionamento ou na avaria da ferramenta ou bateria.
18. Mantenha a bateria afastada das crianças.

GUARDE ESTAS INSTRUÇÕES.

⚠️PRECAUÇÃO: Utilize apenas baterias genuínas da Makita. A utilização de baterias não genuínas da Makita ou de baterias que foram alteradas, pode resultar no rebentamento da bateria provocando incêndios, ferimentos pessoais e danos. Além disso, anulará da garantia da Makita no que se refere à ferramenta e ao carregador Makita.

Conselhos para manter a máxima vida útil da bateria

1. Carregue a bateria antes que esteja completamente descarregada. Pare sempre o funcionamento da ferramenta e carregue a bateria quando notar menos poder na ferramenta.
2. Nunca carregue uma bateria completamente carregada. Carregamento excessivo diminui a vida útil da bateria.
3. Carregue a bateria à temperatura ambiente de 10 °C – 40 °C. Deixe que uma bateria quente arrefeça antes de a carregar.
4. Quando não utilizar a bateria, remova-a da ferramenta ou do carregador.
5. Carregue a bateria se não a utilizar durante um longo período de tempo (mais de seis meses).

DESCRIÇÃO DAS PEÇAS

► Fig.1

1	Gatilho do interruptor	2	Botão de bloqueio	3	Interruptor da lâmpada
4	Lâmpada	5	Botão de bloqueio do gatilho	6	Botão de alteração do modo de velocidade
7	Drenagem de ar	8	Tampa da porta de enchimento	9	Mangueira flexível
10	Adaptador	11	Orifício da correia	12	Bateria
13	Tubo	14	Pega da haste	15	Suporte da mangueira
16	Válvula de descompressão	17	Correia de ombro	-	-

DESCRIÇÃO FUNCIONAL

⚠️ PRECAUÇÃO: Certifique-se sempre de que a ferramenta está desligada e a bateria foi retirada antes de regular ou verificar qualquer função na ferramenta.

Instalação ou remoção da bateria

⚠️ PRECAUÇÃO: Desligue sempre a ferramenta antes de colocar ou retirar a bateria.

⚠️ PRECAUÇÃO: Segure firmemente a ferramenta e a bateria quando instalar ou remover a bateria. Se não segurar firmemente a ferramenta e a bateria pode fazer com que escorreguem das suas mãos resultando em danos na ferramenta e na bateria e ferimentos pessoais.

► **Fig.2:** 1. Indicador vermelho 2. Botão 3. Bateria

Para retirar a bateria, deslize-a para fora da ferramenta enquanto desliza o botão na frente da bateria.

Para instalar a bateria, alinhe a lingueta na bateria com a ranhura na caixa e deslize-a para a posição correta. Insira-a por completo até bloquear na posição correta com um pequeno clique. Se conseguir ver o indicador vermelho conforme apresentado na figura, não está completamente bloqueada.

⚠️ PRECAUÇÃO: Instale sempre a bateria até ao fim, até deixar de ver o indicador vermelho.

Caso contrário, a bateria poderá cair da ferramenta acidentalmente e provocar ferimentos em si mesmo ou em alguém próximo.

⚠️ PRECAUÇÃO: Não instale a bateria à força. Se a bateria não deslizar facilmente é porque não foi colocada corretamente.

Sistema de proteção da ferramenta/bateria

A ferramenta está equipada com um sistema de proteção da ferramenta/bateria. Este sistema corta automaticamente a corrente para o motor para aumentar a vida da ferramenta e da bateria. A ferramenta para automaticamente durante o funcionamento se a ferramenta ou bateria for colocada mediante uma das seguintes condições:

Proteção contra sobrecarga

Quando a ferramenta/bateria é operada de forma que puxe uma corrente anormalmente elevada, a ferramenta para automaticamente sem qualquer indicação. Nesta situação, desligue a ferramenta e pare a aplicação que provocou o sobrecarregamento da ferramenta. Depois, ligue a ferramenta para a reiniciar.

Proteção contra sobreaquecimento

Quando a ferramenta ou a bateria estiver sobreaquecida, a ferramenta para automaticamente e a lâmpada pisca. Neste caso, deixe a ferramenta e a bateria arrefecerem antes de ligar novamente a ferramenta.

Proteção contra descarga excessiva

Quando a capacidade da bateria não é suficiente, a ferramenta para automaticamente. Neste caso, retire a bateria da ferramenta e carregue-a.

NOTA: O sistema de proteção pode ter uma maior probabilidade de funcionar dependendo da temperatura ambiente ou do tipo e estado da massa lubrificante.

Proteções contra outras causas

O sistema de proteção também foi concebido para outras causas que possam danificar a ferramenta e permite que a ferramenta pare automaticamente. Tome todas as medidas que se seguirem para eliminar as causas quando a ferramenta tiver parado ou interrompido temporariamente a operação.

1. Desligue a ferramenta e, em seguida, volte a ligá-la para reiniciar.
2. Carregue a(s) bateria(s) ou substitua-a(s) por bateria(s) recarregada(s).
3. Deixe a ferramenta e a(s) bateria(s) arrefecerem.



















Se não for possível constatar qualquer melhoria através do restauro do sistema de proteção, contacte o centro de assistência Makita local.

Indicação da capacidade restante da bateria

Apenas para baterias com indicador

► **Fig.3:** 1. Luzes indicadoras 2. Botão de verificação

Prima o botão de verificação na bateria para indicar a capacidade restante da bateria. As luzes indicadoras acendem durante alguns segundos.

Luzes indicadoras			Capacidade restante
 Aceso	 Apagado	 A piscar	
			75% a 100%
			50% a 75%
			25% a 50%
			0% a 25%
			Carregar a bateria.
 	 	 	A bateria pode estar avariada.

NOTA: Dependendo das condições de utilização e da temperatura ambiente, a indicação pode ser ligeiramente diferente da capacidade real.

NOTA: A primeira luz indicadora (extremo esquerdo) pisca quando o sistema de proteção da bateria funciona.

Ação do interruptor

⚠️ PRECAUÇÃO: Antes de colocar a bateria na ferramenta, verifique sempre se o gatilho do interruptor funciona corretamente e volta para a posição "OFF" quando libertado.

⚠️ PRECAUÇÃO: Quando não está a utilizar a ferramenta, prima o botão de bloqueio do gatilho no lado "A" para bloquear o gatilho do interruptor na posição de desligado.

Para evitar que o gatilho do interruptor seja puxado acidentalmente, é fornecido o botão de bloqueio do gatilho.

Para iniciar a ferramenta, prima o botão de bloqueio do gatilho no lado "B" e puxe o gatilho do interruptor.

A velocidade da ferramenta aumenta à medida que se vai aumentando a pressão no gatilho do interruptor. Liberte o gatilho do interruptor para parar. Depois de utilizar, prima sempre o botão de bloqueio do gatilho no lado "A".

Para a operação contínua, puxe o gatilho do interruptor e, em seguida, empurre o botão de bloqueio. Para parar a ferramenta a partir da posição de bloqueada, puxe totalmente o gatilho do interruptor para desbloquear.

► Fig.4: 1. Gatilho do interruptor 2. Botão de bloqueio 3. Botão de bloqueio do gatilho

Acender a lâmpada da frente

⚠️ PRECAUÇÃO: Não olhe para a luz ou para a fonte de iluminação diretamente.

Prima o interruptor da lâmpada para acender a lâmpada. Prima novamente o interruptor da lâmpada para desligar a lâmpada. Quando a ferramenta é deixada sem realizar qualquer operação durante cerca de 60 segundos com o motor parado, a lâmpada apaga-se.

► Fig.5: 1. Lâmpada 2. Interruptor da lâmpada

OBSERVAÇÃO: Utilize um pano seco para limpar a sujidade da lente da lâmpada. Tenha cuidado para não riscar a lente da lâmpada ou a iluminação pode ficar enfraquecida.

Selecionar o modo de velocidade

OBSERVAÇÃO: Altere o modo de velocidade apenas após a ferramenta parar completamente.

A ferramenta utiliza o botão de alteração do modo de velocidade. Rode o botão de forma que a seta no botão aponte para um dos dois modos abaixo.

1	Modo de baixa velocidade: Aplica massa lubrificante a uma velocidade baixa constante.
2	Modo de velocidade automática: Aplica massa lubrificante enquanto oscila automaticamente o caudal de acordo com a pressão do destino de abastecimento.

► Fig.6: 1. Botão de alteração do modo de velocidade

Válvula de descompressão

Quando a pressão interna na ferramenta excede um determinado nível, sai massa lubrificante da válvula de descompressão para diminuir a pressão interna.

► Fig.7: 1. Válvula de descompressão

⚠️ PRECAUÇÃO: Não remova ou efetue qualquer ajuste na válvula de descompressão.

⚠️ PRECAUÇÃO: Não remova a tampa da válvula de descompressão. Caso contrário, a massa lubrificante poderá esguichar da válvula de descompressão e entrar nos olhos.

MONTAGEM

⚠️ PRECAUÇÃO: Certifique-se sempre de que a ferramenta está desligada e a bateria retirada antes de executar qualquer trabalho na ferramenta.

Retirar ou instalar o tubo

Para retirar o tubo, desenrosque-o conforme ilustrado.

► Fig.8: 1. Tubo

Para instalar o tubo, insira-o na ferramenta e, em seguida, enrosque-o.

► Fig.9: 1. Tubo

Pega da haste

OBSERVAÇÃO: Não puxe a pega da haste com a válvula para drenagem de ar apertada enquanto o tubo estiver instalado na ferramenta. Certifique-se de que a válvula para drenagem de ar está solta. Caso não o faça, pode provocar anomalias.

Puxe a pega da haste quando colocar massa lubrificante no tubo.

► Fig.10: 1. Pega da haste 2. Haste

Para bloquear a pega da haste totalmente puxada, puxe a pega da haste até que a ranhura na haste possa ser visível e, em seguida, enganche a ranhura no entalhe. Para desbloquear a pega da haste, desenganche a ranhura de modo que a haste se desloque para a frente.

► Fig.11: 1. Ranhura 2. Entalhe

⚠️ PRECAUÇÃO: Certifique-se de que a pega da haste está firmemente bloqueada. Caso contrário, pode ser desbloqueada acidentalmente e causar uma entaladela.

Suporte da mangueira

O suporte da mangueira pode ser fixado em qualquer um dos lados da ferramenta com o parafuso.

► Fig.12: 1. Suporte da mangueira 2. Parafuso

Correia de ombro

⚠️ AVISO: Nunca utilize o orifício da correia para cordão (tirante). Se o fizer pode provocar ferimentos graves porque o orifício da correia não se destina a um dispositivo de segurança para prevenção contra quedas.

⚠️ AVISO: Quando transportar a ferramenta, continue a segurar a ferramenta mesmo que esteja a utilizar a correia de ombro. O transporte da ferramenta utilizando apenas a correia de ombro torna-a instável. A correia de ombro pode soltar-se ou a ferramenta pode golpear outros objetos e causar ferimentos.

Prenda os ganchos da correia de ombro nos suportes dos orifícios da correia, conforme apresentado na figura.

► Fig.13: 1. Correia de ombro 2. Gancho 3. Suporte

OPERAÇÃO

Abastecimento de massa lubrificante

⚠️ AVISO: Certifique-se de que lê os manuais de instruções da massa lubrificante e/ou dos outros instrumentos e substitua os seguintes elementos conforme necessário. A má utilização ou o incumprimento das instruções pode danificar a ferramenta ou causar ferimentos.

OBSERVAÇÃO: Quando utilizar o tubo com os resíduos de massa lubrificante antiga, retire o tubo e purgue a massa lubrificante antiga de acordo com a secção relativa à purga de massa lubrificante.

As seguintes são formas de abastecer massa lubrificante:

Instalar o cartucho de massa lubrificante (comercialmente adquirido) no tubo

OBSERVAÇÃO: (Apenas para tubo do tipo A)

Utilize o cartucho de massa lubrificante cuja aba pode ser enganchada na superfície da extremidade do tubo.

OBSERVAÇÃO: (Apenas para tubo do tipo B/ tipo C)

Utilize o cartucho de massa lubrificante cuja aba pode ser enganchada no nível interior do tubo.

1. Solte a válvula para drenagem de ar.
► Fig.14: 1. Válvula
2. Puxe totalmente a pega da haste e bloqueie-a.
► Fig.15: 1. Ranhura 2. Haste 3. Pega da haste
3. Retire o tubo da ferramenta.
► Fig.16: 1. Tubo

4. Retire a tampa de plástico do cartucho de massa lubrificante e insira o cartucho de massa lubrificante no tubo.

► Fig.17: 1. Cartucho de massa lubrificante (comercialmente adquirido) 2. Patilha de abertura

5. Retire a patilha de abertura do cartucho de massa lubrificante e, em seguida, instale o tubo na ferramenta.

Se existir um intervalo entre a aba do cartucho de massa lubrificante e o tubo, aparafuse o tubo na ferramenta enquanto empurra o tubo para a frente.

► Fig.18

6. Solte a pega da haste.

► Fig.19

7. Ejeite o ar que permanece no caminho do fluxo da massa lubrificante.

► Fig.20

8. Aperte a válvula para drenagem de ar quando vir a massa lubrificante a sair do orifício.

► Fig.21

NOTA: Se a ferramenta não consegue fornecer massa lubrificante de forma precisa, pode permanecer ar no caminho do fluxo da massa lubrificante. Solte a válvula para drenagem de ar e ejeite o ar. (Consulte a secção relativa à ejeção de ar.)

Abastecer massa lubrificante no tubo a partir de um recipiente a granel (comercialmente adquirido)

1. Solte a válvula para drenagem de ar.
2. Puxe totalmente a pega da haste e bloqueie-a.
3. Retire o tubo da ferramenta.

Desbloqueie a pega da haste e mova a haste delicadamente em avanço.

4. Mergulhe a ponta do tubo na massa lubrificante e, em seguida, puxe a pega da haste. A massa lubrificante é bombeada para o tubo.

► Fig.22: 1. Recipiente a granel (comercialmente adquirido)

5. Puxe totalmente a pega da haste e bloqueie-a.

► Fig.23

6. Instale o tubo na ferramenta e, em seguida, desbloqueie a pega da haste.

7. Ejeite o ar que permanece no caminho do fluxo da massa lubrificante.

8. Aperte a válvula para drenagem de ar quando vir a massa lubrificante a sair do orifício.

OBSERVAÇÃO: Quando bloquear a pega da haste, certifique-se de que a pega da haste está firmemente bloqueada. Caso contrário, a pega da haste fica desbloqueada inadvertidamente e a massa lubrificante sai do tubo.

NOTA: (Apenas para tubo do tipo B/tipo C)

A quantidade de abastecimento de massa lubrificante deve situar-se abaixo da linha da ranhura do parafuso. Caso contrário, a massa lubrificante irá transbordar quando instalar o tubo na ferramenta.

► Fig.24: 1. Tubo (tipo B/tipo C) 2. Ranhura do parafuso 3. Massa lubrificante

NOTA: Se a ferramenta não consegue fornecer massa lubrificante de forma precisa, pode permanecer ar no caminho do fluxo da massa lubrificante. Solte a válvula para drenagem de ar e eje o ar. (Consulte a seção relativa à ejeção de ar.)

Pode também abastecer massa lubrificante no tubo com uma bomba de enchimento (comercialmente adquirida) fixada ao recipiente a granel.

1. Retire o tubo da ferramenta.
2. Envolve a fita vedante da rosca em volta da peça rosçada do encaixe de carregamento (comercialmente adquirida).
3. Retire a tampa da porta de enchimento. Fixe um encaixe de carregamento na porta de enchimento.
4. Instale o tubo na ferramenta. (A pega da haste está desbloqueada.)
5. Certifique-se de que a válvula para drenagem de ar está apertada.

Ligue o encaixe de carregamento ao encaixe da bomba de enchimento.

► **Fig.25:** 1. Tampa da porta de enchimento 2. Porta de enchimento 3. Encaixe de carregamento (comercialmente adquirido) 4. Bomba de enchimento (comercialmente adquirida) 5. Encaixe

6. Coloque a bomba de enchimento em funcionamento. A haste da respetiva pega será expelida quando o tubo estiver cheio de massa lubrificante.

► **Fig.26**

7. Desligue o encaixe de carregamento do encaixe da bomba de enchimento.
8. Eje o ar que permanece no caminho do fluxo da massa lubrificante.
9. Aperte a válvula para drenagem de ar quando vir a massa lubrificante a sair do orifício.

AVISO: Utilize apenas um encaixe de carregamento de baixa pressão. Nunca utilize um encaixe de carregamento de alta pressão, senão pode danificar a ferramenta e causar ferimentos pessoais.

PRECAUÇÃO: Segure firmemente a ferramenta quando abastecer a massa lubrificante utilizando uma bomba de enchimento. A ferramenta pode cair e causar ferimentos.

OBSERVAÇÃO: Deixe de abastecer a massa lubrificante quando vir a ranhura na haste. Caso contrário, pode ocorrer uma fuga de massa lubrificante.

NOTA: Se a ferramenta não consegue fornecer massa lubrificante de forma precisa, pode permanecer ar no caminho do fluxo da massa lubrificante. Solte a válvula para drenagem de ar e eje o ar. (Consulte a seção relativa à ejeção de ar.)

Ejeção de ar

Se permanecer ar no caminho do fluxo da massa lubrificante, a ferramenta não consegue fornecer massa lubrificante de forma precisa. Eje o ar antes de cada utilização e também quando a ferramenta parecer funcionar de forma incorreta devido ao ar.

1. Para ejetar ar do interior da ferramenta, solte a válvula para drenagem de ar. O ar sai do orifício para drenagem de ar.
2. Aperte a válvula quando vir a massa lubrificante a sair do orifício.

► **Fig.27:** 1. Válvula

AVISO: Utilize os óculos de proteção quando ejetar o ar.

PRECAUÇÃO: Limpe a massa lubrificante que sai da drenagem de ar com um pano seco ou material semelhante. Caso contrário, pode causar escorregamento e provocar ferimentos.

Aplicar a massa lubrificante

Nos seguintes casos, purgue a massa lubrificante antiga no interior da ferramenta antes da utilização:

- Quando utilizar a ferramenta pela primeira vez; ou
- Quando utilizar um tipo diferente de massa lubrificante relativamente à utilização anterior.

Com a nova massa lubrificante encheda no tubo, ligue a ferramenta durante algum tempo até a massa lubrificante antiga ser expelida do adaptador.

OBSERVAÇÃO: Não ligue o adaptador ao bocal de massa lubrificante até a massa lubrificante antiga ser purgada. Se forem misturados diferentes tipos de massa lubrificante, o desempenho da massa lubrificante pode diminuir.

NOTA: A ferramenta foi testada na fábrica e permanece uma pequena quantidade da massa lubrificante.

Realize o seguinte procedimento para aplicar a massa lubrificante.

PRECAUÇÃO: Verifique sempre o modo de velocidade antes da operação.

OBSERVAÇÃO: Antes de ligar o adaptador ao bocal de massa lubrificante, certifique-se sempre de que a ferramenta aplica massa lubrificante de forma adequada.

OBSERVAÇÃO: Não ligue o adaptador ao bocal de massa lubrificante à força.

1. Limpe o adaptador e o bocal de massa lubrificante antes de ligar. Empurre o adaptador a direito no bocal de massa lubrificante.
2. Puxe o gatilho do interruptor para aplicar a massa lubrificante.

► **Fig.28**

3. Quando a aplicação de massa lubrificante estiver concluída, retire o adaptador do bocal de massa lubrificante. Incline o adaptador ligeiramente para libertar a pressão interna e, em seguida, remova o adaptador do bocal de massa lubrificante.

Limpe a massa lubrificante do adaptador e do bocal de massa lubrificante.

OBSERVAÇÃO: Não deixe a ferramenta a funcionar mesmo depois de gastar a massa lubrificante. Tal pode reduzir a vida útil da ferramenta.

NOTA: Se a ferramenta não consegue fornecer massa lubrificante de forma precisa, pode permanecer ar no caminho do fluxo da massa lubrificante. Solte a válvula para drenagem de ar e eje o ar. (Consulte a secção relativa à ejeção de ar.)

NOTA: Se a pressão interna aumentar enquanto o gatilho do interruptor não está totalmente puxado, o sistema de proteção funciona e o motor para mesmo que a ferramenta não atinja a pressão máxima de funcionamento. Quando injetar a massa lubrificante a alta pressão, puxe totalmente o gatilho do interruptor.

NOTA: A ferramenta para automaticamente quando a ferramenta continua a funcionar durante mais de 6 minutos.

No caso da ferramenta não verter massa lubrificante com precisão

Se a ferramenta não consegue fornecer massa lubrificante de forma precisa, pode permanecer ar no caminho do fluxo da massa lubrificante. Eje o ar de acordo com o seguinte procedimento.

1. Solte a válvula para drenagem de ar.

► Fig.29: 1. Válvula

2. Eje o ar que permanece no caminho do fluxo da massa lubrificante.

► Fig.30

3. Aperte a válvula para drenagem de ar quando vir a massa lubrificante a sair do orifício.

► Fig.31

MANUTENÇÃO

PRECAUÇÃO: Certifique-se sempre de que a ferramenta se encontra desligada e de que a bateria foi retirada antes de executar qualquer inspeção ou manutenção.

OBSERVAÇÃO: Nunca utilize gasolina, benzina, diluente, álcool ou produtos semelhantes. Pode ocorrer a descoloração, deformação ou rachaduras.

Para manter a SEGURANÇA e a FIABILIDADE do produto, as reparações e qualquer outra manutenção ou ajuste devem ser levados a cabo pelos centros de assistência Makita autorizados ou pelos centros de assistência de fábrica, utilizando sempre peças de substituição Makita.

Purga da massa lubrificante

Quando guardar a ferramenta ou utilizar o tubo no qual permanece a massa lubrificante, retire o tubo e purgue a massa lubrificante antiga com o seguinte procedimento.

1. Solte a válvula para drenagem de ar.
2. Puxe totalmente a pega da haste e bloqueie-a.
3. Retire o tubo da ferramenta.
4. Desbloqueie a pega da haste. Continue a segurar a pega da haste e desloque lentamente a pega da haste para a frente de modo que a massa lubrificante saia do tubo.

PRECAUÇÃO: Não tire a mão da pega da haste. Caso contrário, a massa lubrificante sai de forma vigorosa.

OBSERVAÇÃO: Mantenha a poeira afastada do interior do tubo. A poeira pode ficar obstruída na ferramenta.

OBSERVAÇÃO: Limpe o interior do tubo uma vez de três em três meses.

ACESSÓRIOS OPCIONAIS

PRECAUÇÃO: Estes acessórios ou peças são recomendados para utilização com a ferramenta Makita especificada neste manual. A utilização de outros acessórios ou peças pode ser perigosa para as pessoas. Utilize apenas acessórios ou peças para os fins indicados.

Se necessitar de informações adicionais relativas a estes acessórios, solicite-as ao seu centro de assistência Makita.

- Adaptador
- Mangueira flexível
- Tubo
- Tubo de cartucho
- Correia de ombro
- Adaptador de bloqueio
- Adaptador angular
- Bateria e carregador genuínos da Makita

NOTA: Alguns itens da lista podem estar incluídos na embalagem da ferramenta como acessórios padrão. Eles podem variar de país para país.

Substituir o adaptador

Solte e retire o adaptador antigo com duas chaves conforme ilustrado e, em seguida, aperte o novo adaptador de forma segura.

► Fig.32

NOTA: Se houver uma fuga de massa lubrificante da junta entre a mangueira e o adaptador, coloque fita veda-rosca em redor da parte roscada da mangueira antes de ligar o adaptador.

Substituir a mangueira flexível

Solte e retire a mangueira flexível antiga com uma chave conforme ilustrado e, em seguida, aperte a nova mangueira flexível de forma segura.

► Fig.33

⚠PRECAUÇÃO: Substitua o anel de borracha fixado na peça de ligação da nova mangueira flexível ao mesmo tempo. Se substituir a mangueira flexível sem o anel de borracha ou com o anel de borracha antigo, pode vazar massa lubrificante e causar ferimentos.

Mudar o tubo

NOTA: O tipo de tubo varia em função do país.

NOTA: Para instalar um tubo de tipo diferente, são necessárias as peças adicionais abaixo descritas dependendo do tipo de tubo.

Mudar o tubo do tipo A para o tipo B/tipo C

1. Retire o tubo do tipo A.
2. Retire o parafuso e, em seguida, a manga.
► Fig.34: 1. Manga 2. Parafuso
3. Insira a junta com o anel de borracha enquanto alinha a patilha com a ranhura na peça de montagem e, em seguida, fixe-a com parafusos.
4. Instale o tubo do tipo B/tipo C.
► Fig.35: 1. Junta 2. Anel de borracha 3. Patilha 4. Ranhura 5. Parafuso

Mudar o tubo do tipo B/tipo C para o tipo A

1. Remova o tubo do tipo B/tipo C.
2. Desaparafuse e retire a junta.
► Fig.36: 1. Junta 2. Anel de borracha 3. Parafuso
3. Insira a manga no corpo da ferramenta e, em seguida, fixe-a com um parafuso.
4. Instale o tubo do tipo A.
► Fig.37: 1. Manga 2. Parafuso

Tubo de cartucho

Pode ver o cartucho de massa lubrificante através do orifício no tubo de cartucho.

► Fig.38

Quando utilizar o tubo de cartucho, transfira as peças de pistão do tubo correspondente para o tubo de cartucho.

► Fig.39: 1. Peças de pistão 2. Tubo de cartucho

Se for difícil retirar a pega da haste, siga o procedimento abaixo.

1. Insira o cartucho de massa lubrificante vazio no tubo.
► Fig.40: 1. Cartucho de massa lubrificante vazio
2. Puxe a pega da haste e bloqueie-a.
► Fig.41
3. Remova o cartucho de massa lubrificante vazio do tubo.

Adaptador de bloqueio

⚠PRECAUÇÃO: Tenha cuidado para não prender os dedos no adaptador de bloqueio.

⚠PRECAUÇÃO: Utilize os óculos de proteção. Quando remover o adaptador de bloqueio do bocal de massa lubrificante, a massa lubrificante pode esguichar para fora da ferramenta e causar ferimentos.

Quando ligar o adaptador de bloqueio ao bocal de massa lubrificante, empurre o adaptador de bloqueio a direito no bocal de massa lubrificante enquanto puxa a alavanca do adaptador de bloqueio e, em seguida, solte a alavanca.

► Fig.42: 1. Alavanca 2. Adaptador de bloqueio

Para montar o adaptador de bloqueio, consulte a seção relativa à substituição do adaptador.

Adaptador angular

Quando prender o adaptador angular, empurre o adaptador da ferramenta a direito para o adaptador angular.

► Fig.43: 1. Adaptador angular

NOTA: O adaptador angular é recomendado para injeção de massa lubrificante a uma pressão relativamente baixa, tal como a substituição de massa lubrificante usada nas juntas ou peças deslizantes de máquinas pesadas e veículos.

RESOLUÇÃO DE PROBLEMAS

Antes de pedir uma reparação, realize primeiro a sua própria inspeção. Se encontrar um problema que não esteja explicado no manual, não tente desmontar a ferramenta. Em vez disso, peça as reparações nos centros de assistência técnica autorizados da Makita, usando sempre peças de substituição da Makita.

Estado da anomalia	Causa provável (avaria)	Correção
A ferramenta não fornece massa lubrificante.	O ar permanece no caminho do fluxo da massa lubrificante.	Para ejetar ar do interior da ferramenta, solte a válvula para drenagem de ar.
	A válvula para drenagem de ar está solta.	Aperte a válvula para drenagem de ar.
	A consistência da massa lubrificante é elevada.	Utilize massa lubrificante NLGI n.º 0 - n.º 2.
	A massa lubrificante está dura devido a uma baixa temperatura ambiente/de armazenamento.	Aqueça a massa lubrificante antes da utilização.
	Nenhuma massa lubrificante no interior da ferramenta.	Abasteça massa lubrificante na ferramenta.
Não é possível puxar a pega da haste.	A válvula para drenagem de ar está apertada.	Solte a válvula para drenagem de ar.
Fugas de massa lubrificante do adaptador.	Existe desgaste, danos ou pó na porta de injeção de massa lubrificante (bocal de massa lubrificante).	Limpe ou substitua a porta de injeção de massa lubrificante (bocal de massa lubrificante).
	O adaptador está gasto.	Substitua o adaptador.
A massa lubrificante não sai da válvula de drenagem de ar ao ejetar o ar.	A válvula de drenagem de ar não está suficientemente solta.	Solte a válvula de drenagem de ar um pouco mais.
	A massa lubrificante está dura.	O ar pode já ter sido ejetado. Aperte a válvula para drenagem de ar, instale a bateria e ligue a ferramenta para verificar se a ferramenta fornece massa lubrificante.

SPECIFIKATIONER

Model:		DGP180
Mærkespænding		D.C. 18 V
Fedtkapacitet (med cylinder af A-typen)	Patron	410 g
	Rumfang	455 g
Fedtkapacitet (med cylinder af B-typen)	Patron	450 g
	Rumfang	570 g
Maksimalt driftstryk		69 MPa
Maksimal strømningshastighed	Lavhastighedstilstand	145 ml/min
	Autohastighedstilstand	290 ml/min
Anvendelig fedttype		NLGI nr.0 - nr.2
Slangelængde		1.200 mm
Længde	Med cylinder af A-typen	411 mm
	Med cylinder af B-typen	449 mm
Vægt		4,8 - 6,1 kg

BEMÆRK: Cylindertypen (A-type eller B-type) varierer afhængigt af landet.

- På grund af vores kontinuerlige forsknings- og udviklingsprogrammer kan hosstående specifikationer blive ændret uden varsel.
- Specifikationer og akku kan variere fra land til land.
- Vægten kan være anderledes afhængigt af tilbehøret, inklusive akkuen. Den letteste og tungeste kombination i henhold til EPTA-procedure 01/2014 er vist i tabellen.

Anvendelig akku og oplader

Akku	BL1815N / BL1820B / BL1830B / BL1840B / BL1850B / BL1860B
Oplader	DC18RC / DC18RD / DC18RE / DC18SD / DC18SE / DC18SF / DC18SH

- Nogle af de akkuer og opladere, der er angivet ovenfor, er muligvis ikke tilgængelige, afhængigt af hvilket område du bor i.

⚠ADVARSEL: Brug kun de akkuer og opladere, der er angivet ovenfor. Brug af andre akkuer og opladere kan medføre personskaade og/eller brand.

Tilsligtet anvendelse

Denne maskine er beregnet til afgivelse af fedt.

Støj

Det typiske A-vægtede støjniveau bestemt i overensstemmelse med EN62841-1:
 Lydtryksniveau (L_{pA}): 76 dB (A)
 Usikkerhed (K): 3 dB (A)

BEMÆRK: De(n) angivne støjemissionsværdi(er) er målt i overensstemmelse med en standardtestmetode og kan anvendes til at sammenligne en maskine med en anden.

BEMÆRK: De(n) angivne støjemissionsværdi(er) kan også anvendes i en præliminær eksponeringsvurdering.

⚠ADVARSEL: Bær høreværn.

⚠ADVARSEL: Støjemissionen under den faktiske anvendelse af maskinen kan være forskellig fra de(n) angivne værdi(er), afhængigt af den måde hvorpå maskinen anvendes, især den type arbejdsømne der behandles.

⚠ADVARSEL: Sørg for at identificere de sikkerhedsforskrifter til beskyttelse af operatøren, som er baseret på en vurdering af eksponering under de faktiske brugsforhold (med hensyntagen til alle dele i brugscyklussen, f.eks. de gange, hvor maskinen er slukket, og når den kører i tomgang i tilgift til afbrydertiden).

Vibration

Vibrationens totalværdi (tre-aksial vektorsum) bestemt i overensstemmelse med EN62841-1:

Vibrationsemission (a_v): 2,5 m/s² eller mindre

Usikkerhed (K): 1,5 m/s²

BEMÆRK: De(n) angivne totalværdi(er) for vibration er målt i overensstemmelse med en standardtestmetode og kan anvendes til at sammenligne en maskine med en anden.

BEMÆRK: De(n) angivne totalværdi(er) for vibration kan også anvendes i en præliminær eksponeringsvurdering.

⚠ ADVARSEL: Vibrationsemissionen under den faktiske anvendelse af maskinen kan være forskellig fra de(n) angivne værdi(er), afhængigt af den måde hvorpå maskinen anvendes, især den type arbejdsemne der behandles.

⚠ ADVARSEL: Sørg for at identificere de sikkerhedsforskrifter til beskyttelse af operatøren, som er baseret på en vurdering af eksponering under de faktiske brugsforhold (med hensyntagen til alle dele i brugscyklussen, f.eks. de gange, hvor maskinen er slukket, og når den kører i tomgang i tilgift til afbrydertiden).

EF-overensstemmelseserklæring

Kun for lande i Europa

EF-overensstemmelseserklæringen er inkluderet som Bilag A i denne brugsanvisning.

SIKKERHEDSADVARSLER

Almindelige sikkerhedsregler for el-værktøj

⚠ ADVARSEL: Læs alle de sikkerhedsadvarsler, instruktioner, illustrationer og specifikationer, der følger med denne maskine. Forsømmelse af at overholde alle nedenstående instruktioner kan medføre elektrisk stød, brand og/eller alvorlig personskade.

Gem alle advarsler og instruktioner til fremtidig reference.

Ordet "el-værktøj" i advarslerne henviser til det netforsynede (netledning) el-værktøj eller batteriforsynede (akku) el-værktøj.

Sikkerhedsadvarsler for akku fedtpistol

1. **Hold maskinen godt fast.**
2. **Anvend ikke maskinen i nærheden af ild.** Fedtet kan muligvis være letantændeligt.
3. **Brug kun fedt som lever op til specifikationerne i denne brugsanvisning.** Installering af en anden type fedt eller nogen andre materialer end fedt kan medføre funktionsfejl.
4. **Installer ikke nogen andre materialer end fedt, som fx olie.** Det kan muligvis sprøjte ud af maskinen og komme i øjnene.
5. **Undlad at bære maskinen ved at holde i den fleksible slange eller håndtaget på stangen.**
6. **Anvend beskyttelsesbriller når du bruger maskinen.**
7. **Kontrollér den fleksible slange inden hver brug. Brug ikke slangen, hvis den er knækket eller beskadiget.** Slangen kan være gået i stykker pga. højt tryk, og du kan få fedt i øjnene.
8. **Sørg for, at stangen er fastgjort ordentligt.** Stangen kan bevæge sig utilsigtet, og forårsage at du får noget i klemme.
9. **Læs og overhold instruktionerne vedrørende fedtfremstilling før brugen.**
10. **Hold hænder og tøj væk fra stangen af håndtaget på stangen.** Ellers kan din finger eller dit tøj komme i klemme.
11. **Tør fedt som sidder fast på maskinen af.** Ellers kan den muligvis glide ud af hænderne og forårsage en personskade.
12. **Undlad at bøje den fleksible slange med kraft eller træde på den.** Dette kan muligvis medføre brud på eller deformation af slangen.
13. **Peg ikke adapteren mod nogen i nærheden.**
14. **Brug kun den fleksible slange som Makita specificerer.** Brug af nogen anden slange kan muligvis medføre risiko for personskade.

GEM DENNE BRUGSANVISNING.

Vigtige sikkerhedsinstruktioner for akkuen

1. **Læs alle instruktioner og advarselmærkater på (1) akku-opladeren, (2) akkuen og (3) produktet, som anvender akku.**
2. **Adskil eller ændr ikke akkuen.** Det kan muligvis resultere i en brand, overdreven varme eller eksplosion.
3. **Hold straks op med anvendelsen, hvis brugstiden er blevet stærkt afkortet.** Fortsat anvendelse kan resultere i risiko for overophedning, forbrændinger og endog eksplosion.
4. **Hvis De har fået elektrolytvæske i øjnene, skal De straks skylle den ud med rent vand og derefter øjeblikkeligt søge lægehjælp.** I modsat fald kan De miste synet.

5. Vær påpasselig med ikke at komme til at kortslutte akkuen:
 - (1) Rør ikke ved terminalerne med noget ledende materiale.
 - (2) Undgå at opbevare akkuen i en beholder sammen med andre genstande af metal, for eksempel søm, mønter og lignende.
 - (3) Udsæt ikke akkuen for vand eller regn. Kortslutning af akkuen kan forårsage en kraftig øgning af strømmen, overophedning, mulige forbrændinger og endog værktøjstop.
6. Opbevar og brug ikke maskinen og akkuen på steder, hvor temperaturen muligvis kan nå eller overstige 50 °C.
7. Lad være med at brænde akkuen, selv ikke i tilfælde, hvor den har lidt alvorlig skade eller er fuldstændig udtjent. Akkuen kan eksplodere, hvis man forsøger at brænde den.
8. Slå ikke søm i, skær ikke i, knus, kast, tab ikke akkuen og stød ikke akkuen mod en hård genstand. Sådanne adfærd kan muligvis resultere i en brand, overdreven varme eller eksplosion.
9. Anvend ikke en beskadiget akku.
10. De indbyggede litium-ion-batterier er underlagt lovkrav vedrørende farligt gods. Ved kommerciel transport, f.eks. af tredjeparts transportselskaber, skal særlige krav til forpakning og mærkning overholdes. Ved forberedelse af udstyret til forsendelse skal du kontakte en ekspert i farligt gods. Overhold også eventuel mere detaljeret national lovgivning. Tape eller tildæk åbne kontakter, og pak batteriet på en måde, så det ikke kan flytte sig rundt i pakningen.
11. Når akkuen bortskaffes, skal du fjerne den fra maskinen og bortskaffe den på et sikkert sted. Følg de lokale love vedrørende bortskaffelsen af batterier.
12. Brug kun batterierne med de produkter, som Makita specificerer. Hvis batterierne installeres i ikke-kompatible produkter, kan det medføre brand, kraftig varme, eksplosion eller udsivning af elektrolyt.
13. Hvis maskinen ikke skal bruges i længere tid ad gangen, skal du fjerne batteriet fra maskinen.
14. Akkuen kan muligvis under og efter brug være varm, hvilket kan forårsage forbrændinger eller lavtemperaturforbrændinger. Vær påpasselig med håndtering af varme akkuer.
15. Rør ikke terminalen på maskinen straks efter brug, da den bliver varm nok til at forårsage forbrændinger.
16. Sørg for, at spåner, støv eller jord ikke sætter sig fast i akkuens terminaler, huller og riller. Det kan forårsage opvarmning, antændelse, sprængning og funktionsfejl i maskinen eller akkuen, hvilket kan medføre forbrændinger eller personskade.
17. Medmindre maskinen understøtter brugen i nærheden af elektriske højspændingsledninger, skal du ikke anvende akkuen i nærheden af elektriske højspændingsledninger. Det kan muligvis medføre funktionsfejl på eller nedbrud af maskinen eller akkuen.
18. Opbevar batteriet utilgængeligt for børn.

GEM DENNE BRUGSANVISNING.

⚠FORSIGTIG: Brug kun originale batterier fra Makita. Brug af uoriginale Makita-batterier, eller batterier som er blevet ændret, kan muligvis medføre brud på batteriet, hvilket kan forårsage brand, personskade eller beskadigelse. Det ugyldiggør også Makita-garantien for Makita-maskinen og opladeren.

Tips til opnåelse af maksimal akku-levetid

1. Oplad akkuen, inden den er helt afladet. Stop altid værktøjet, og oplad akkuen, hvis De bemærker, at værktøjeffekten er aftagende.
2. Genoplad aldrig en fuldt opladet akku. Overopladning vil afkorte akkuens levetid.
3. Oplad akkuen ved stuetemperatur ved 10 °C - 40 °C. Lad altid en varm akku få tid til at køle af, inden den oplades.
4. Når du ikke anvender akkuen, skal du fjerne den fra maskinen eller opladeren.
5. Oplad akkuen, hvis De ikke skal bruge den i længere tid (mere end seks måneder).

BESKRIVELSE AF DELENE

► Fig.1

1	Afbryderknap	2	Låseknap	3	Lampekontakt
4	Lampe	5	Afbryderlåseknap	6	Omskifterknap til ændring af hastighedstilstand
7	Luftdræn	8	Prop til påfyldningsåbning	9	Fleksibel slange
10	Adapter	11	Snorhul	12	Akku
13	Cylinder	14	Håndtag på stang	15	Slangeholder
16	Overtryksventil	17	Skuldersele	-	-

FUNKTIONSBESKRIVELSE

⚠️FORSIGTIG: Sørg altid for at maskinen er slukket, og at akkuen er taget ud, før der udføres justering eller kontrol af funktioner på maskinen.

Isætning eller fjernelse af akkuen

⚠️FORSIGTIG: Sluk altid for værktøjet, før De monterer eller fjerner akkuen.

⚠️FORSIGTIG: Hold værktøjet og akkuen fast ved montering eller fjernelse af akkuen. Hvis De ikke holder værktøjet og akkuen fast, kan de glide ud af hænderne på Dem og forårsage beskadigelse af værktøjet og akkuen eller personskade.

► **Fig.2:** 1. Rød indikator 2. Knap 3. Akku

Akkuen fjernes ved, at De trækker den ud af værktøjet, idet De skyder knappen på forsiden af akkuen i stilling.

For at montere akkuen skal du justere tungen på akkuen med rillen i huset og skubbe den på plads. Indsæt den hele vejen, indtil den låses på plads med et lille klik. Hvis du kan se den røde indikator, som vist i figuren, er den ikke helt låst.

⚠️FORSIGTIG: Monter altid akkuen helt, indtil den røde indikator ikke længere er synlig. Hvis dette ikke gøres, kan den falde ud af værktøjet ved et uheld, hvorved De selv eller personer i nærheden kan komme til skade.

⚠️FORSIGTIG: Brug ikke magt ved montering af akkuen. Hvis akkuen ikke glider på plads uden problemer, betyder det, at den ikke sættes i på korrekt vis.

Beskyttelsessystem til værktøj/batteri

Maskinen er udstyret med et beskyttelsessystem til maskinen/batteriet. Dette system afbryder automatisk strømmen til motoren for at forlænge maskinens og batteriets levetid. Maskinen stopper automatisk under brugen, hvis maskinen eller batteriet udsættes for et af følgende forhold:

Overbelastningsbeskyttelse

Hvis maskinen/batteriet bruges på en måde, der får den til at trække en unormalt høj strøm, stopper maskinen automatisk uden indikation. Sluk i så fald for maskinen, og stop den anvendelse, der medførte overbelastningen af maskinen. Tænd derefter for maskinen for at starte igen.

Beskyttelse mod overophedning

Hvis maskinen eller batteriet er overophedet, stopper maskinen automatisk, og lampen blinker. Lad i så fald maskinen og batteriet køle ned, før der tændes for maskinen igen.

Beskyttelse mod overafledning

Når batteriladningen er utilstrækkelig, stopper maskinen automatisk. Tag i så fald akkuen ud af maskinen, og oplad akkuen.

BEMÆRK: Det kan blive mere sandsynligt at beskyttelsessystemet fungerer afhængigt af omgivelsestemperaturen eller type og tilstand af fedt.

Beskyttelse mod andre årsager

Beskyttelsessystemet er også designet til andre årsager, der kan beskadige maskinen og giver maskinen mulighed for at stoppe automatisk. Benyt alle nedenstående trin for at fjerne årsagerne, når maskinen midlertidigt er blevet bragt til standsning eller sat ud af drift.

1. Sluk for maskinen, og tænd den derefter igen for at genstarte.
2. Genoplad batteriet/batterierne, eller udskift det/dem med genopladet batteri/genopladede batterier.
3. Lad maskinen og batteriet/batterierne køle ned.

Hvis der ikke sker nogen forbedring ved at genoprette beskyttelsessystemet, kontaktes det lokale Makita-servicecenter.

Indikation af den resterende batteriladning

Kun til akkuer med indikatoren

► **Fig.3:** 1. Indikatorlamper 2. Kontrolknap

Tryk på kontrolknappen på akkuen for at få vist den resterende batteriladning. Indikatorlampen lyser i nogle sekunder.

Indikatorlamper			Resterende ladning
Tændt	Slukket	Blinker	
■	□	◐	75% til 100%
■	■	□	50% til 75%
■	□	□	25% til 50%
■	□	□	0% til 25%
◐	□	□	Genoplad batteriet.
■	■	□	Der er muligvis fejl i batteriet.
□	□	■	

BEMÆRK: Afhængigt af brugsforholdene og den omgivende temperatur kan indikationen afvige en smule fra den faktiske ladning.

BEMÆRK: Den første indikatorlampe (længst mod venstre) vil blinke, når batteribeskyttelsessystemet aktiveres.

Afbryderbetjening

⚠️FORSIGTIG: Inden akkuen sættes i maskinen, bør De altid kontrollere, at afbryderknappen fungerer korrekt, og returnerer til "OFF"-positionen, når den slippes.

⚠️FORSIGTIG: Når maskinen ikke er i brug, skal du trykke på afbryderlåseknappen fra "A"-siden for at låse afbryderknappen fast i FRA-stillingen.

En afbryderlåseknop forhindrer, at der trykkes på afbryderknappen ved et uheld.

Maskinen startes ved at trykke afbryderlåseknappen ind fra "B"-siden og trykke på afbryderknappen.

Maskinens hastighed øges ved at øge trykket på afbryderknappen. Slip afbryderknappen for at stoppe. Tryk altid afbryderlåseknappen ind fra "A"-siden efter brug.

For kontinuerlig brug skal du trykke på afbryderknappen og derefter skubbe låseknappen ind. For at stoppe maskinen fra den låste position skal du trykke afbryderknappen helt ind for at låse op.

- **Fig.4:** 1. Afbryderknop 2. Låseknop
3. Afbryderlåseknop

Tænding af lampen foran

⚠️FORSIGTIG: Kig aldrig direkte på lyskilden. Lad ikke lyset falde i Deres øjne.

Tryk på lampekontakten for at tænde for lampen. Tryk på lampekontakten igen for at slukke for lampen. Hvis maskinen efterlades uden nogen betjening i ca. 60 sekunder med motoren stoppet, slukker lampen.

- **Fig.5:** 1. Lampe 2. Lampekontakt

BEMÆRKNING: Brug en tør klud til at tørre snavset af lampens linse. Pas på ikke at ridse lampens linse, da dette muligvis kan dæmpe belysningen.

Valg af hastighedstilstanden

BEMÆRKNING: Ændr kun hastighedstilstanden, efter at maskinen er stoppet helt.

Maskinen anvender omskifterknappen til ændring af hastighedstilstand. Drej på knappen så pilen på knappen peger mod en af de to tilstande nedenfor;

1	Lavhastighedstilstand: Afgiv fedt ved en konstant lav hastighed.
2	Autohastighedstilstand: Påfør fedt mens strømningshastigheden automatisk varieres i overensstemmelse med trykket på forsyningsdestinationen.

- **Fig.6:** 1. Omskifterknop til ændring af hastighedstilstand

Overtryksventil

Når det interne tryk i maskinen overstiger et vist niveau, kommer fedtet ud fra overtryksventilen for at reducere det interne tryk.

- **Fig.7:** 1. Overtryksventil

⚠️FORSIGTIG: Undlad at afmontere eller foretage nogen justering af overtryksventilen.

⚠️FORSIGTIG: Undlad at afmontere dækslet på overtryksventilen. Ellers kan fedt sprøjte ud af overtryksventilen og komme ind i øjnene.

SAMLING

⚠️FORSIGTIG: Sørg altid for at maskinen er slukket, og at akkuen er taget ud, før der udføres noget arbejde på maskinen.

Afmontering eller montering af cylinder

Skru cylinderen som illustreret for at afmontere den.

- **Fig.8:** 1. Cylinder

For at montere cylinderen skal du sætte den ind i maskinen og derefter skrue i omvendt retning.

- **Fig.9:** 1. Cylinder

Håndtag på stang

BEMÆRKNING: Undlad at trække i håndtaget på stangen med ventilen til luftdræn fastgjort, mens cylinderen er monteret på maskinen. Sørg for, at ventilen til luftdræn er løsnet. Hvis du ikke gør dette, kan det medføre funktionsfejl.

Træk i håndtaget på stangen mens du fylder fedt i cylinderen.

- **Fig.10:** 1. Håndtag på stang 2. Stang

For at låse håndtaget på stangen i fuldt udtrukket tilstand skal du trække håndtaget på stangen ud, indtil rillen på stangen kan ses, og derefter hægte rillen ind i åbningen. For at oplåse håndtaget på stangen skal du afhægte rillen, så stangen bevæger sig fremad.

- **Fig.11:** 1. Rille 2. Åbning

⚠️FORSIGTIG: Sørg for, at håndtaget på stangen er låst ordentligt. Ellers kan det utilsigtet blive oplåst, og forårsage at du får noget i klemme.

Slangeholder

Slangeholderen kan monteres på begge sider af maskinen med skruen.

- **Fig.12:** 1. Slangeholder 2. Skru

Skuldersele

⚠️ADVARSEL: Brug aldrig snorhullet til tøjresnor (sikkerhedsline). Dette kan resultere i alvorlig tilskadekomst, da snorhullet ikke er beregnet til en sikkerhedsanordning for faldforebyggelse.

⚠️ADVARSEL: Når du bærer maskinen, skal du fortsætte med at holde i maskinen, selv hvis du anvender skulderselen. Bæres maskinen kun i skulderselen, gør det den ustabil. Skulderselen kan muligvis falde af, eller maskinen kan ramme andre genstande og forårsage tilskadekomst.

Fastgør krogene på skulderselen til monteringerne på snorhullerne som vist på figuren.

- **Fig.13:** 1. Skuldersele 2. Krog 3. Montering

ANVENDELSE

Fedttilførsel

⚠ ADVARSEL: Sørg for at læse betjeningsvejledningerne til fedtet og/eller andre instrumenter og udskifte det følgende indhold efter behov. Forkert brug eller manglende overholdelse af instruktionerne kan muligvis beskadige maskinen eller forårsage en personskade.

BEMÆRKNING: Når du anvender cylinderen med gamle fedtrest, skal du fjerne cylinderen og fjerne det gamle fedt i overensstemmelse med afsnittet for fjernelse af fedt.

De følgende måder til at give fedt:

Installation af fedtpatronen (købt kommercielt) i cylinderen

BEMÆRKNING: (Kun for A-type cylinder)

Brug den fedtpatron, hvis rand kan hægtes på cylinderens endeflade.

BEMÆRKNING: (Kun for B-type/C-type cylinder)

Brug den fedtpatron, hvis rand kan hægtes på cylinderens indvendige trin.

1. Løsn ventilen til luftdræn.
▶ **Fig.14:** 1. Ventil
2. Træk håndtaget på stangen helt ud og lås det.
▶ **Fig.15:** 1. Rille 2. Stang 3. Håndtag på stang
3. Afmonter cylinderen fra maskinen.
▶ **Fig.16:** 1. Cylinder
4. Fjern plastikhætten på fedtpatronen og sæt fedtpatronen ind i cylinderen.
▶ **Fig.17:** 1. Fedtpatron (købt kommercielt)
2. Trækning
5. Fjern trækningen på fedtpatronen og sæt cylinderen ind i maskinen.

Hvis der er et mellemrum mellem randen på fedtpatronen og cylinderen, skal du skrue cylinderen ind i maskinen, mens du trykker cylinderen fremad.
▶ **Fig.18**

6. Slip håndtaget på stangen.
▶ **Fig.19**
7. Fjern den luft, der er tilbage i fedtets strømningsvej.
▶ **Fig.20**
8. Fastgør ventilen til luftdræn, når du ser fedtet komme ud af hullet.
▶ **Fig.21**

BEMÆRK: Hvis maskinen ikke kan hælde fedt nøjagtigt, kan der være luft tilbage i fedtets strømningsvej. Løsn ventilen til luftdræn, og skub luften ud. (Se i afsnittet for fjernelse af luft.)

Fyldning af fedt i cylinderen fra en bulkbeholder (købt kommercielt)

1. Løsn ventilen til luftdræn.
2. Træk håndtaget på stangen helt ud og lås det.
3. Fjern cylinderen fra maskinen.
Lås håndtaget på stangen op, og flyt forsigtigt stangen fremad.
4. Dyp spidsen af cylinderen i fedtet og træk derefter i håndtaget på stangen. Fedtet pumpes op i cylinderen.
▶ **Fig.22:** 1. Bulkbeholder (købt kommercielt)
5. Træk håndtaget på stangen helt ud og lås det.
▶ **Fig.23**
6. Monter cylinderen i maskinen og lås derefter håndtaget på stangen op.
7. Fjern den luft, der er tilbage i fedtets strømningsvej.
8. Fastgør ventilen til luftdræn, når du ser fedtet komme ud af hullet.

BEMÆRKNING: Når du låser håndtaget på stangen, skal du sørge for, at håndtaget på stangen er låst ordentligt. Eller kan håndtaget på stangen utilsigtet låses op, og der kommer fedt ud fra cylinderen.

BEMÆRK: (Kun for B-type/C-type cylinder)

Mængden af fedtpåfyldningen bør være under skruerillelinjen. Ellers flyder fedtet over, når du installerer cylinderen på maskinen.

- ▶ **Fig.24:** 1. Cylinder (B-type/C-type) 2. Skruerille 3. Fedt

BEMÆRK: Hvis maskinen ikke kan hælde fedt nøjagtigt, kan der være luft tilbage i fedtets strømningsvej. Løsn ventilen til luftdræn, og skub luften ud. (Se i afsnittet for fjernelse af luft.)

Du kan også fylde fedt ind i cylinderen vha. en påfyldningspumpe (købt kommercielt) fastgjort til bulkbeholderen.

1. Afmonter cylinderen fra maskinen.
2. Omvikl gevindforseglingstape rundt om gevinddelen på påfyldningsmonteringen (købt kommercielt).
3. Afmonter proppen til påfyldningsåbningen. Fastgør en påfyldningsmontering til påfyldningsåbningen.
4. Monter cylinderen på maskinen. (Håndtaget på stangen er låst op.)
5. Sørg for, at ventilen til luftdrænet er fastgjort.

Tilslut påfyldningsmonteringen til monteringen på påfyldningspumpen.

- ▶ **Fig.25:** 1. Prop til påfyldningsåbning 2. Påfyldningsåbning 3. Påfyldningsmontering (købt kommercielt) 4. Påfyldningspumpe (købt kommercielt) 5. Montering

6. Betjen påfyldningspumpen. Stangen af håndtaget på stangen skubbes ud, efterhånden som cylinderen fyldes med fedt.

▶ **Fig.26**

7. Frakobl påfyldningsmonteringen fra monteringen på påfyldningspumpen.

8. Fjern den luft, der er tilbage i fedtets strømningsvej.

9. Fastgør ventilen til luftdræn, når du ser fedtet komme ud af hullet.

⚠ ADVARSEL: Brug kun en påfyldningsmontering til lavt tryk. Brug aldrig en påfyldningsmontering til højt tryk, da det muligvis kan beskadige maskinen og forårsage personskade.

⚠ FORSIGTIG: Hold godt fast i maskinen, når du fylder fedt på vha. en påfyldningspumpe. Maskinen kan falde ned og forårsage personskade.

BEMÆRKNING: Stop påfyldning af fedtet, når du ser rillen på stangen. Ellers kan der muligvis opstå fedtlækage.

BEMÆRK: Hvis maskinen ikke kan hælde fedt nøjagtigt, kan der være luft tilbage i fedtets strømningsvej. Løsn ventilen til luftdræn, og skub luften ud. (Se i afsnittet for fjernelse af luft.)

Fjernelse af luft

Hvis der forbliver luft inde i den bane, hvor fedtet skal strømme, kan maskinen ikke hælde fedtet nøjagtigt. Fjern luften inden hver anvendelse samt også når maskinen ikke synes at fungere ordentligt pga. luft.

1. For at fjerne luft inde fra maskinen skal du løsne ventilen for luftdrænet. Luften kommer ud fra hullet for luftdrænet.

2. Spænd ventilen, når du ser der kommer fedt ud fra hullet.

► Fig.27: 1. Ventil

⚠ ADVARSEL: Anvend beskyttelsesbrillerne når luften fjernes.

⚠ FORSIGTIG: Tør fedtet af som kommer ud fra luftdrænet med en tør klud eller lignende. Ellers kan den muligvis glide ud af hænderne og forårsage en personskade.

Afgivelse af fedt

I de følgende tilfælde skal du fjerne det gamle fedt inden i maskinen inden brug;

- Når du anvender maskinen for første gang, eller
- Når du anvender en anden type fedt end tidligere anvendt.

Med det nye fedt fyldt i cylinderen skal du køre maskinen i et stykke tid, indtil det gamle fedt er skubbet ud fra adapteren.

BEMÆRKNING: Tilslut ikke adapteren til smøreniplen før det gamle fedt er fjernet. Hvis forskellige slags fedt blandes, kan ydelsen af fedtet muligvis forringes.

BEMÆRK: Maskinen er blevet testet på fabrikken, og der er små mængder fedt tilbage.

Udfør den følgende procedure for at afgive fedtet.

⚠ FORSIGTIG: Kontrollér altid hastighedstilstanden før brug.

BEMÆRKNING: Inden du tilslutter adapteren til smøreniplen, skal du sikre dig, at maskinen afgiver fedt på korrekt vis.

BEMÆRKNING: Tilslut ikke adapteren til smøreniplen med brug af kraft.

1. Tør adapteren og smøreniplen af inden tilslutning. Tryk adapteren lige mod smøreniplen.

2. Tryk afbryderknappen ind for at afgive fedtet.

► Fig.28

3. Når afgivelsen af fedt er afsluttet, skal du fjerne adapteren fra smøreniplen. Vip adapteren en smule for at frigive det interne tryk og fjern derefter adapteren fra smøreniplen.

Tør fedtet af fra adapteren og smøreniplen.

BEMÆRKNING: Lad ikke maskinen køre efter fedtet er brugt op. Det forkorter muligvis maskinens levetid.

BEMÆRK: Hvis maskinen ikke kan hælde fedt nøjagtigt, kan der være luft tilbage i fedtets strømningsvej. Løsn ventilen til luftdræn, og skub luften ud. (Se i afsnittet for fjernelse af luft.)

BEMÆRK: Hvis det interne tryk stiger, mens afbryderknappen ikke er trukket helt ind, aktiveres beskyttelsessystemet, og motoren vil stoppe, selvom maskinen ikke når det maksimale driftstryk. Når der indsprøjtes fedt ved højt tryk, skal du trykke afbryderknappen helt ind.

BEMÆRK: Maskinen stopper automatisk, når maskinen har kørt i mere end 6 minutter.

Hvis maskinen ikke hælder fedt nøjagtigt

Hvis maskinen ikke kan hælde fedt nøjagtigt, kan der være luft tilbage i fedtets strømningsvej. Fjern luften i overensstemmelse med følgende procedure.

1. Løsn ventilen til luftdræn.

► Fig.29: 1. Ventil

2. Fjern den luft, der er tilbage i fedtets strømningsvej.

► Fig.30

3. Fastgør ventilen til luftdræn, når du ser fedtet komme ud af hullet.

► Fig.31

VEDLIGEHOJDELSE

▲FORSIGTIG: Vær altid sikker på, at værktøjet er slukket, og at akkuen er taget ud, inden De begynder at udføre inspektion eller vedligeholdelse.

BEMÆRKNING: Anvend aldrig benzin, rensebenzin, fortynder, alkohol og lignende. Det kan medføre misfarvning, deformation eller revner.

For at opretholde produktets SIKKERHED og PÅLIDELIGHED må reparation, vedligeholdelse eller justering kun udføres af et autoriseret Makita servicecenter eller fabrikkervicecenter med anvendelse af Makita reservedele.

Fjernelse af fedt

Når du opbevarer maskinen eller anvender cylinderen, hvori der er fedtrest, skal du fjerne cylinderen og fjerne det gamle fedt vha. den følgende procedure.

1. Løsn ventilen for luftdrænet.
2. Træk håndtaget på stangen helt ud og lås det.
3. Fjern cylinderen fra maskinen.
4. Oplås håndtaget på stangen. Bliv ved med at holde i håndtaget på stangen og flyt langsomt håndtaget på stangen fremad, så fedtet kommer ud af cylinderen.

▲FORSIGTIG: Fjern ikke hånden fra håndtaget på stangen. Ellers springer fedtet voldsomt ud.

BEMÆRKNING: Hold støv væk fra indersiden af cylinderen. Støv kan muligvis blive tilstoppet i maskinen.

BEMÆRKNING: Rengør indersiden af cylinderen én gang hver tredje måned.

EKSTRAUDSTYR

▲FORSIGTIG: Det følgende tilbehør og ekstraudstyr er anbefalet til brug med Deres Makita maskine, der er beskrevet i denne brugsanvisning. Anvendelse af andet tilbehør eller ekstraudstyr kan udgøre en risiko for personskade. Anvend kun tilbehør og ekstraudstyr til det beskrevne formål.

Hvis De behøver hjælp ved valg af tilbehør eller ønsker yderligere informationer, bedes De kontakte Deres lokale Makita servicecenter.

- Adapter
- Fleksibel slange
- Cylinder
- Patroncylinder
- Skuldersele
- Lås til-adapter
- Vinkeladapter
- Original Makita-akku og oplader

BEMÆRK: Nogle ting på denne liste kan være inkluderet i værktøjspakken som standardtilbehør. Det kan være forskellige fra land til land.

Udskiftning af adapteren

Løsn og fjern den gamle adapter med to skruenøgler som vist og spænd derefter den nye adapter ordentligt.
► Fig.32

BEMÆRK: Hvis der lækker fedt fra samlingen mellem slangen og adapteren, skal du vikke gevindtætningstape omkring gevinddelen på slangen, inden du tilslutter adapteren.

Udskiftning af den fleksible slange

Løsn og fjern den gamle fleksible slange med en skruenøgle som vist og spænd derefter den nye fleksible slange ordentligt.

► Fig.33

▲FORSIGTIG: Udskift gummiringen fastgjort til tilkoblingsdelene på den nye fleksible slange på samme tid. Hvis du udskifter den fleksible slange uden gummiringen eller med den gamle gummiring, kan fedtet lække og forårsage en personskade.

Skift af cylinderen

BEMÆRK: Cylindertypen varierer afhængigt af landet.

BEMÆRK: For at montere en cylinder af en anden type kræves der ekstra dele, som er beskrevet nedenfor, afhængigt af typen af cylinder.

Skift af cylinderen fra A-type til B-type/C-type

1. Fjern cylinderen af A-typen.
2. Fjern skruen og derefter muffen.
► Fig.34: 1. Muffe 2. Skruer
3. Sæt samlingen med gummipakningen ind mens du retter tappen ind med rillen på monteringsdelen og fastgør den med skruer.
4. Monter cylinderen af B-typen/C-typen.
► Fig.35: 1. Samling 2. Gummipakning 3. Tap 4. Rille 5. Skruer

Skift af cylinderen fra B-type/C-type til A-type

1. Fjern cylinderen af B-typen/C-typen.
2. Skru samlingen ud og fjern den.
► Fig.36: 1. Samling 2. Gummipakning 3. Skruer
3. Sæt muffen ind i maskinhuset og fastgør den med en skruer.
4. Monter cylinderen af A-typen.
► Fig.37: 1. Muffe 2. Skruer

Patroncylinder

Du kan se fedtpatronen gennem hullet på patroncylinderen.

► Fig.38

Når du anvender patroncylinderen, skal du overføre stempeldelene fra den tilsvarende cylinder til patroncylinderen.

► Fig.39: 1. Stempeldele 2. Patroncylinder

Hvis det er svært at trække håndtaget på stangen ud, skal du udføre proceduren nedenfor.

1. Sæt den tomme fedtpatron ind i cylinderen.

► Fig.40: 1. Tom fedtpatron

2. Træk i håndtaget på stangen, og lås det.

► Fig.41

3. Fjern den tomme fedtpatron fra cylinderen.

Lås til-adapter

⚠FORSIGTIG: Pas på ikke at få fingeren i klemme på lås til-adapteren.

⚠FORSIGTIG: Anvend beskyttelsesbrillerne. Når du fjerner lås til-adapteren fra smøreniplen, sprøjter der muligvis fedt ud af maskinen, hvilket kan forårsage en personskade.

Når du tilslutter lås til-adapteren til smøreniplen, skal du skubbe lås til-adapteren lige på smøreniplen, mens du trykker på håndtaget på lås til-adapteren, og derefter slippe håndtaget.

► Fig.42: 1. Håndtag 2. Lås til-adapter

Se afsnittet om udskiftning af adapteren angående samling af lås til-adapteren.

Vinkeladapter

Når du monterer vinkeladapteren, skal du skubbe maskinens adapter lige på vinkeladapteren.

► Fig.43: 1. Vinkeladapter

BEMÆRK: Vinkeladapteren anbefales til fedtindsprøjtning ved relativt lavt tryk, såsom udskiftning af gammel fedt i samlinger eller glidende dele på tunge maskiner og køretøjer.

FEJLFINDING

Udfør selv en inspektion, inden De anmoder om reparation. Hvis De opdager et problem, som ikke er forklaret i brugsanvisningen, må De ikke forsøge at adskille maskinen. Rådfør Dem i stedet med et autoriseret Makita Servicecenter, og brug altid originale Makita udskiftningsdele til reparationer.

Unormal tilstand	Sandsynlig årsag (fejl)	Afhjælpning
Maskinen hælder ikke fedt.	Luften forbliver i fedtets strømningsvej.	For at skubbe luft ud fra indersiden af maskinen, skal du løsne ventilen til luftdræn.
	Ventilen til luftdræn er løs.	Fastgør ventilen til luftdræn.
	Fedtets konsistens er høj.	Brug NLGI nr.0 - nr.2 fedt.
	Fedtets er hårdt på grund af lav omgivende/opbevaringstemperatur.	Varm fedt før brug.
	Ingen fedt inde i maskinen.	Tilføj fedt til maskinen.
Du kan ikke trække i håndtaget på stangen.	Ventilen til luftdræn er fastgjort.	Løsn ventilen til luftdræn.
Fedt lækker fra adapteren.	Der er slitage, beskadigelse eller støv på fedtindsprøjtningssporten (smørenippel).	Rengør eller udskift fedtindsprøjtningssporten (smørenippel).
	Adapteren er slidt op.	Udskift adapteren.
Der kommer ikke fedt ud af luftdrænsventilen, når luften skubbes ud.	Luftdrænsventilen er ikke løs nok.	Løsn luftdrænsventilen yderligere.
	Fedtets er hårdt.	Luften er muligvis allerede blevet skubbet ud. Fastgør ventil til luftdrænet, monter akkuen, og tænd for maskinen for at kontrollere, om maskinen hælder fedt.

ΠΡΟΔΙΑΓΡΑΦΕΣ

Μοντέλο:		DGP180
Όνομαστική τάση		D.C. 18 V
Χωρητικότητα γράσου (με κύλινδρο τύπου A)	Φύσιγγα	410 g
	Χύμα	455 g
Χωρητικότητα γράσου (με κύλινδρο τύπου B)	Φύσιγγα	450 g
	Χύμα	570 g
Μέγιστη πίεση λειτουργίας		69 MPa
Μέγιστη παροχή	Τρόπος λειτουργίας αργής ταχύτητας	145 ml/min
	Τρόπος λειτουργίας αυτόματης ταχύτητας	290 ml/min
Εφαρμόσιμος τύπος γράσου		NLGI αρ.0 - αρ.2
Μήκος εύκαμπτου σωλήνα		1.200 mm
Ολικό μήκος	Με κύλινδρο τύπου A	411 mm
	Με κύλινδρο τύπου B	449 mm
Καθαρό βάρος		4,8 - 6,1 kg

ΠΑΡΑΤΗΡΗΣΗ: Ο τύπος κυλίνδρου (τύπος A ή τύπος B) διαφέρει ανάλογα με τη χώρα.

- Λόγω του συνεχιζόμενου προγράμματος έρευνας και ανάπτυξης, οι προδιαγραφές αυτές υπόκεινται σε αλλαγές χωρίς προειδοποίηση.
- Οι προδιαγραφές και η κασέτα μπαταριών μπορεί να διαφέρουν ανάλογα με τη χώρα.
- Το βάρος μπορεί να διαφέρει ανάλογα με τα προσαρτήματα, συμπεριλαμβάνοντας την κασέτα μπαταριών. Ο ελαφρύτερος και ο βαρύτερος συνδυασμός, σύμφωνα με τη διαδικασία EPTA 01/2014, παρουσιάζονται στον πίνακα.

Ισχύουσα κασέτα μπαταριών και φορτιστής

Κασέτα μπαταρίας	BL1815N / BL1820B / BL1830B / BL1840B / BL1850B / BL1860B
Φορτιστής	DC18RC / DC18RD / DC18RE / DC18SD / DC18SE / DC18SF / DC18SH

- Ορισμένες από τις κασέτες και τους φορτιστές μπαταριών που αναγράφονται παραπάνω ίσως να μην είναι διαθέσιμοι, ανάλογα με την τοποθεσία κατοικίας σας.

⚠ ΠΡΟΕΙΔΟΠΟΙΗΣΗ: Να χρησιμοποιείτε μόνο τις κασέτες μπαταριών και τους φορτιστές που παρατίθενται ανωτέρω. Η χρήση οποιασδήποτε άλλης κασέτας μπαταριών ή φορτιστή μπορεί να προκαλέσει τραυματισμό ή/και πυρκαγιά.

Προοριζόμενη χρήση

Το εργαλείο αυτό προορίζεται για τη διανομή γράσου.

Θόρυβος

Το τυπικό A επίπεδο καταμετρημένου θορύβου καθορίζεται σύμφωνα με το EN62841-1:
Στάθμη ηχητικής πίεσης (L_{pA}): 76 dB (A)
Αβεβαιότητα (K): 3 dB (A)

ΠΑΡΑΤΗΡΗΣΗ: Η δηλωμένη τιμή(ές) εκπομπής θορύβου έχει μετρηθεί σύμφωνα με την πρότυπη μέθοδο δοκιμής και μπορεί να χρησιμοποιηθεί για τη σύγκριση ενός εργαλείου με κάποιο άλλο.

ΠΑΡΑΤΗΡΗΣΗ: Η δηλωμένη τιμή(ές) εκπομπής θορύβου μπορεί να χρησιμοποιηθεί και στην προκαταρκτική αξιολόγηση της έκθεσης.

⚠ ΠΡΟΕΙΔΟΠΟΙΗΣΗ: Να φοράτε ωτοασπίδες.

⚠ ΠΡΟΕΙΔΟΠΟΙΗΣΗ: Η εκπομπή θορύβου κατά τη χρήση του ηλεκτρικού εργαλείου σε πραγματικές συνθήκες μπορεί να διαφέρει από τη δηλωμένη τιμή(ές) ανάλογα με τους τρόπους χρήσης του εργαλείου, ιδιαίτερα το είδος του τεμαχίου εργασίας που υπόκειται επεξεργασία.

⚠ ΠΡΟΕΙΔΟΠΟΙΗΣΗ: Φροντίστε να λάβετε τα κατάλληλα μέτρα προστασίας του χειριστή βάσει ενός υπολογισμού της έκθεσης σε πραγματικές συνθήκες χρήσης (λαμβάνοντας υπόψη όλες τις συνιστώσες του κύκλου λειτουργίας όπως τους χρόνους που το εργαλείο είναι εκτός λειτουργίας και όταν βρίσκεται σε αδρανή λειτουργία πέραν του χρόνου ενεργοποίησης).

Κραδασμός

Η ολική τιμή δόνησης (άθροισμα τρι-αξονικού διανύσματος) καθορίζεται σύμφωνα με το EN62841-1: Εκπομπή δόνησης (a_{h1}): 2,5 m/s² ή λιγότερο Αβεβαιότητα (K): 1,5 m/s²

ΠΑΡΑΤΗΡΗΣΗ: Η δηλωμένη τιμή(ές) συνολικών κραδασμών έχει μετρηθεί σύμφωνα με την πρότυπη μέθοδο δοκιμής και μπορεί να χρησιμοποιηθεί για τη σύγκριση ενός εργαλείου με κάποιο άλλο.

ΠΑΡΑΤΗΡΗΣΗ: Η δηλωμένη τιμή(ές) συνολικών κραδασμών μπορεί να χρησιμοποιηθεί και στην προκαταρκτική αξιολόγηση της έκθεσης.

▲ ΠΡΟΕΙΔΟΠΟΙΗΣΗ: Η εκπομπή κραδασμών κατά τη χρήση του ηλεκτρικού εργαλείου σε πραγματικές συνθήκες μπορεί να διαφέρει από τη δηλωμένη τιμή(ές) εκπομπής ανάλογα με τους τρόπους χρήσης του εργαλείου, ιδιαίτερα το είδος του τεμαχίου εργασίας που υπόκειται επεξεργασία.

▲ ΠΡΟΕΙΔΟΠΟΙΗΣΗ: Φροντίστε να λάβετε τα κατάλληλα μέτρα προστασίας του χειριστή βάσει ενός υπολογισμού της έκθεσης σε πραγματικές συνθήκες χρήσης (λαμβάνοντας υπόψη όλες τις συνιστώσες του κύκλου λειτουργίας όπως τους χρόνους που το εργαλείο είναι εκτός λειτουργίας και όταν βρίσκεται σε αδρανή λειτουργία πέραν του χρόνου ενεργοποίησης).

Δήλωση συμμόρφωσης ΕΚ

Μόνο για χώρες της Ευρώπης

Η δήλωση συμμόρφωσης ΕΚ περιλαμβάνεται ως Παράρτημα Α στο παρόν εγχειρίδιο οδηγιών.

ΠΡΟΕΙΔΟΠΟΙΗΣΕΙΣ ΑΣΦΑΛΕΙΑΣ

Γενικές προειδοποιήσεις ασφαλείας για το ηλεκτρικό εργαλείο

▲ ΠΡΟΕΙΔΟΠΟΙΗΣΗ: Διαβάστε όλες τις προειδοποιήσεις ασφαλείας, οδηγίες, εικονογραφίες και προδιαγραφές που παρέχονται με αυτό το ηλεκτρικό εργαλείο. Η μη τήρηση όλων των οδηγιών που αναγράφονται κατωτέρω μπορεί να καταλήξει σε ηλεκτροπληξία, πυρκαγιά ή/και σοβαρό τραυματισμό.

Φυλάξτε όλες τις προειδοποιήσεις και τις οδηγίες για μελλοντική παραπομπή.

Στις προειδοποιήσεις, ο όρος «ηλεκτρικό εργαλείο» αναφέρεται σε ηλεκτρικό εργαλείο που τροφοδοτείται από την κύρια παροχή ηλεκτρικού ρεύματος (με ηλεκτρικό καλώδιο) ή σε ηλεκτρικό εργαλείο που τροφοδοτείται από μπαταρία (χωρίς ηλεκτρικό καλώδιο).

Προειδοποιήσεις ασφαλείας για τον φορητό γρασαδόρο

1. **Να κρατάτε το εργαλείο σταθερά.**
2. **Μην θέτετε το εργαλείο σε λειτουργία κοντά σε φλόγα.** Το γράσο μπορεί να είναι εύφλεκτο.
3. **Να χρησιμοποιείτε μόνο γράσο που ικανοποιεί τις προδιαγραφές που καθορίζονται στο παρόν εγχειρίδιο οδηγιών.** Αν τοποθετήσετε διαφορετικό τύπο γράσου ή άλλα υλικά εκτός από γράσο, μπορεί να προκληθεί βλάβη.
4. **Μην τοποθετείτε οποιαδήποτε άλλα υλικά εκτός από γράσο, όπως λάδι.** Μπορεί να πεταχτεί από το εργαλείο και να μπει στα μάτια σας.
5. **Μην μεταφέρετε το εργαλείο από τον εύκαμπτο σωλήνα ή τη λαβή ράβδου.**
6. **Φοράτε προστατευτικά γυαλιά όταν χρησιμοποιείτε το εργαλείο.**
7. **Ελέγξτε τον εύκαμπτο σωλήνα πριν από κάθε χρήση.** Μην χρησιμοποιείτε τον εύκαμπτο σωλήνα αν είναι συστραμμένος ή παρουσιάζει ζημιά. Ο εύκαμπτος σωλήνας μπορεί να σπάσει λόγω υψηλής πίεσης και το γράσο να μπει στα μάτια σας.
8. **Βεβαιωθείτε ότι η ράβδος είναι ασφαλισμένη σωστά.** Η ράβδος μπορεί να μετακινηθεί κατά λάθος και να προκληθεί τσίμπημα.
9. **Διαβάστε και ακολουθήστε τις οδηγίες του κατασκευαστή του γράσου πριν από τη χρήση.**
10. **Κρατήστε τα χέρια και τα ρούχα σας μακριά από τη ράβδο της λαβής ράβδου.** Διαφορετικά, το δάχτυλο ή τα ρούχα σας μπορεί να πιαστούν σε αυτά.
11. **Σκουπίζετε το γράσο που έχει προσκολληθεί στο εργαλείο.** Διαφορετικά, μπορεί να προκαλέσει ολίσθηση και να έχει ως αποτέλεσμα τραυματισμό.
12. **Μην λυγίζετε τον εύκαμπτο σωλήνα με βία και μην τον πατάτε.** Αν το κάνετε αυτό, μπορεί να προκληθεί σπασίμο ή παραμόρφωση του εύκαμπτου σωλήνα.
13. **Μην στρέψετε τον προσαρμογέα προς άλλα άτομα που βρίσκονται κοντά.**
14. **Χρησιμοποιήστε μόνο τον εύκαμπτο σωλήνα που καθορίζεται από την Makita.** Η χρήση οποιουδήποτε άλλου εύκαμπτου σωλήνα μπορεί να δημιουργήσει κίνδυνο πρόκλησης τραυματισμού.

ΦΥΛΑΞΤΕ ΤΙΣ ΟΔΗΓΙΕΣ ΑΥΤΕΣ.

Σημαντικές οδηγίες ασφαλείας για κασέτα μπαταριών

1. **Πριν χρησιμοποιήσετε την κασέτα μπαταριών, διαβάστε όλες τις οδηγίες και σημειώσεις προφύλαξης (1) στον φοριστή μπαταριών, (2) στην μπαταρία και (3) στο προϊόν που χρησιμοποιεί την μπαταρία.**
2. **Μην αποσυναρμολογήσετε ή παραβιάσετε την κασέτα μπαταριών.** Μπορεί να έχει ως αποτέλεσμα πυρκαγιά, υπερθέρμανση ή έκρηξη.
3. **Εάν ο χρόνος λειτουργίας έχει γίνει υπερβολικά βραχύς, σταματήστε τη λειτουργία αμέσως. Αλλιώς, μπορεί να έχει ως αποτέλεσμα κίνδυνο υπερθέρμανσης, πιθανά εγκαύματα ή ακόμη και έκρηξη.**

4. Εάν ηλεκτρολύτης μπει στα μάτια σας, ξεπλύνετέ τα με καθαρό νερό και ζητήστε ιατρική φροντίδα αμέσως. Αλλιώς, μπορεί να έχει ως αποτέλεσμα απώλεια της όρασης σας.
5. Μην βραχυκυκλώνετε την κασέτα μπαταριών:
 - (1) Μην αγγίζετε τους πόλους με οτιδήποτε αγώγιμο υλικό.
 - (2) Αποφεύγετε να αποθηκεύετε την κασέτα μπαταριών μέσα σε ένα δοχείο μαζί με άλλα μεταλλικά αντικείμενα όπως καρφιά, νομίσματα, κλπ.
 - (3) Μην εκθέτετε την κασέτα μπαταριών στο νερό ή στη βροχή.
- Ένα βραχυκύκλωμα μπαταρίας μπορεί να προκαλέσει μεγάλη ροή ρεύματος, υπερθέρμανση, πιθανά εγκαύματα ακόμη και σοβαρή βλάβη.
6. Μην αποθηκεύετε και μην χρησιμοποιείτε το εργαλείο και την κασέτα μπαταριών σε τοποθεσίες όπου η θερμοκρασία μπορεί να φτάσει ή να ξεπεράσει τους 50°C.
7. Μην καίτε την κασέτα μπαταριών ακόμη και εάν έχει σοβαρή ζημιά ή είναι εντελώς φθαρμένη. Η κασέτα μπαταριών μπορεί να εκραγεί στη φωτιά.
8. Μην καρφώσετε, κόψετε, συνθλίψετε, πετάξετε ή ρίξετε κάτω την κασέτα μπαταριών, ούτε να χτυπήσετε ένα σκληρό αντικείμενο επάνω στην κασέτα μπαταριών. Τέτοια συμπεριφορά μπορεί να έχει ως αποτέλεσμα πυρκαγιά, υπερθέρμανση ή έκρηξη.
9. Μην χρησιμοποιείτε μπαταρία που έχει υποστεί ζημιά.
10. Οι μπαταρίες ιόντων λιθίου που περιέχονται υπόκεινται στις απαιτήσεις της νομοθεσίας για επικίνδυνα αγαθά.

Για εμπορικές μεταφορές, για παράδειγμα από τρίτα μέρη, πρέπει να τηρούνται οι διαμεταφορές, οι ειδικές απαιτήσεις στη συσκευασία και η επισήμανση.

Για προετοιμασία του στοιχείου που αποστέλλεται, είναι απαραίτητο να συμβουλευτείτε έναν ειδικό για επικίνδυνα υλικά. Επίσης, τηρήστε τους πιθανούς, πιο αναλυτικούς εθνικούς κανονισμούς. Καλύψτε με αυτοκόλλητη ταινία ή κρύψτε τις ανοικτές επαφές και συσκευάστε την μπαταρία με τρόπο που να μην μπορεί να μετακινείται μέσα στη συσκευασία.

11. Όταν απορρίπτετε την κασέτα μπαταριών, αφαιρέστε την από το εργαλείο και διαθέστε την σε ένα ασφαλές μέρος. Τηρήστε τους τοπικούς κανονισμούς που σχετίζονται με τη διάθεση της μπαταρίας.
12. Χρησιμοποιήστε τις μπαταρίες μόνο με τα προϊόντα που καθορίζει η Makita. Αν τοποθετήσετε τις μπαταρίες σε μη συμβατά προϊόντα μπορεί να έχει ως αποτέλεσμα πυρκαγιά, υπερβολική θερμότητα, έκρηξη ή διαρροή ηλεκτρολύτη.
13. Αν δεν χρησιμοποιείτε το εργαλείο για μεγάλο χρονικό διάστημα, πρέπει να βγάλετε την μπαταρία από το εργαλείο.
14. Κατά τη διάρκεια και μετά τη χρήση, η κασέτα μπαταριών μπορεί να θερμανθεί, γεγονός που μπορεί να προκαλέσει εγκαύματα ή εγκαύματα από χαμηλή θερμοκρασία. Προσέχετε το χειρισμό των ζεστών κασετών μπαταριών.
15. Μην αγγίζετε τον ακροδέκτη του εργαλείου αμέσως μετά τη χρήση επειδή μπορεί να έχει ζεσταθεί αρκετά για να προκαλέσει εγκαύματα.
16. Μην αφήνετε θραύσματα, σκόνη ή βρομιά να κολλήσει στους ακροδέκτες, τις σπές και τις εγχοπές της κασέτας μπαταριών. Μπορεί να προκαλέσει θέρμανση, φωτιά, έκρηξη και δυσλειτουργία του εργαλείου ή της κασέτας μπαταριών, έχοντας ως αποτέλεσμα εγκαύματα ή προσωπικό τραυματισμό.
17. Εκτός αν το εργαλείο υποστηρίζει τη χρήση κοντά σε ηλεκτρικές γραμμές υψηλής τάσης, μην χρησιμοποιείτε την κασέτα μπαταριών κοντά σε ηλεκτρικές γραμμές υψηλής τάσης. Μπορεί να έχει ως αποτέλεσμα δυσλειτουργία ή τσάσιμο του εργαλείου ή της κασέτας μπαταριών.
18. ΚρΦυλάξτε την μπαταρία μακριά από παιδιά.

ΦΥΛΑΞΤΕ ΤΙΣ ΟΔΗΓΙΕΣ ΑΥΤΕΣ.

▲ΠΡΟΣΟΧΗ: Να χρησιμοποιείτε μόνο γνήσιες μπαταρίες της Makita. Η χρήση μη γνήσιων μπαταριών Makita, ή μπαταριών που έχουν τροποποιηθεί, μπορεί να έχει ως αποτέλεσμα τη ρήξη της μπαταρίας, προκαλώντας πυρκαγιά, προσωπικό τραυματισμό και βλάβη. Επίσης, θα ακυρωθεί η εγγύηση της Makita για το εργαλείο και φορτιστή Makita.

Συμβουλές για τη διατήρηση της μέγιστης ζωής μπαταρίας

1. Φορτίζετε την κασέτα μπαταριών πριν από την πλήρη αποφόρτισή της. Πάντοτε να σταματάτε τη λειτουργία του εργαλείου και να φορτίζετε την κασέτα μπαταριών όταν παρατηρείτε μειωμένη ισχύ εργαλείου.
2. Ποτέ μην επαναφορτίζετε μια πλήρως φορτισμένη κασέτα μπαταριών. Η υπερφόρτιση μειώνει την ωφέλιμη ζωή της μπαταρίας.
3. Να φορτίζετε την κασέτα μπαταριών σε θερμοκρασία δωματίου, δηλαδή στους 10 °C έως 40 °C. Αφήστε μια θερμή κασέτα μπαταριών να κρυώσει πριν την φορτίσετε.
4. Όταν δεν χρησιμοποιείτε την κασέτα μπαταριών, αφαιρέστε την από το εργαλείο ή τον φορτιστή.
5. Να φορτίζετε την κασέτα μπαταριών εάν δεν τη χρησιμοποιείτε για μεγάλη χρονική περίοδο (περισσότερο από έξι μήνες).

ΠΕΡΙΓΡΑΦΗ ΕΞΑΡΤΗΜΑΤΩΝ

► Εικ.1

1	Σκανδάλη διακόπτης	2	Κουμπί ασφάλισης	3	Διακόπτης λάμπας
4	Λάμπα	5	Κουμπί ασφάλισης σκανδάλης	6	Κουμπί αλλαγής του τρόπου λειτουργίας ταχύτητας
7	Έξοδος αέρα	8	Τάπα θύρας πλήρωσης	9	Εύκαμπος σωλήνας
10	Προσαρμογέας	11	Οπή ιμάντα	12	Κασέτα μπαταριών
13	Κύλινδρος	14	Λαβή ράβδου	15	Υποδοχέας συγκράτησης εύκαμπτου σωλήνα
16	Βαλβίδα εκτόνωσης πίεσης	17	Ιμάντας ώμου	-	-

ΠΕΡΙΓΡΑΦΗ ΛΕΙΤΟΥΡΓΙΑΣ

▲ ΠΡΟΣΟΧΗ: Να φροντίζετε πάντα για την απενεργοποίηση του εργαλείου και την αφαίρεση της κασέτας μπαταρίας, πριν από οποιαδήποτε ρύθμιση ή έλεγχο της λειτουργίας του.

Τοποθέτηση ή αφαίρεση της κασέτας μπαταριών

▲ ΠΡΟΣΟΧΗ: Να σβήνετε πάντα το εργαλείο πριν τοποθετήσετε ή αφαιρέσετε την κασέτα μπαταριών.

▲ ΠΡΟΣΟΧΗ: Κρατήστε το εργαλείο και την κασέτα μπαταριών σταθερά κατά την τοποθέτηση ή αφαίρεση της κασέτας μπαταριών. Εάν δεν κρατάτε το εργαλείο και την κασέτα μπαταριών σταθερά μπορεί να γλιστρήσουν από τα χέρια σας και να προκληθεί βλάβη στο εργαλείο και την κασέτα μπαταριών και προσωπικός τραυματισμός.

► **Εικ.2:** 1. Κόκκινος δείκτης 2. Κουμπί 3. Κασέτα μπαταριών

Για να αφαιρέσετε την κασέτα μπαταριών, ολισθήστε την από το εργαλείο ενώ σύρετε το κουμπί στο μπροστινό μέρος της κασέτας.

Για να τοποθετήσετε την κασέτα μπαταριών, ευθυγραμμίστε τη γλώσσα στην κασέτα μπαταριών με την εγκοπή στο περίβλημα και ολισθήστε τη στη θέση της. Τοποθετήστε την μέχρι τέρμα μέχρι να ασφαλίσει στη θέση της, γεγονός που υποδεικνύεται με ένα χαρακτηριστικό ήχο. Αν μπορείτε να δείτε τον κόκκινο δείκτη όπως απεικονίζεται στην εικόνα, δεν έχει κλειδώσει τελείως.

▲ ΠΡΟΣΟΧΗ: Να τοποθετείτε πάντα την κασέτα μπαταριών πλήρως μέχρι να μη βλέπετε τον κόκκινο δείκτη. Εάν δεν ασφαλίσει, μπορεί να πέσει από το εργαλείο τυχαία, προκαλώντας σωματική βλάβη σε εσάς ή κάποιον άλλο γύρω σας.

▲ ΠΡΟΣΟΧΗ: Μην τοποθετείτε την κασέτα μπαταριών με βία. Εάν η κασέτα δεν ολισθαίνει με ευκολία, τότε δεν έχει τοποθετηθεί κατάλληλα.

Σύστημα προστασίας εργαλείου/μπαταρίας

Το εργαλείο είναι εξοπλισμένο με σύστημα προστασίας εργαλείου/μπαταρίας. Αυτό το σύστημα αποκόπτει αυτόματα την ισχύ προς το μοτέρ για να παραταθεί η διάρκεια λειτουργίας του εργαλείου και της μπαταρίας. Το εργαλείο σταματάει αυτόματα κατά τη διάρκεια της λειτουργίας εάν το εργαλείο ή η μπαταρία βρεθούν κάτω από τις παρακάτω συνθήκες:

Προστασία υπερφόρτωσης

Όταν το εργαλείο/μπαταρία λειτουργεί με τρόπο ώστε να αναγκάζεται να καταναλώνει ασυνήθιστα υψηλό ρεύμα, το εργαλείο σταματάει αυτόματα χωρίς καμία ένδειξη. Σε αυτή την κατάσταση, σβήστε το εργαλείο και διακόψτε την εφαρμογή που προκαλεί την υπερφόρτωση του εργαλείου. Μετά, ενεργοποιήστε το εργαλείο για επανεκκίνηση.

Προστασία υπερθέρμανσης

Όταν το εργαλείο ή η μπαταρία υπερθερμανθεί, η λειτουργία του εργαλείου σταματάει αυτόματα και η λάμπα αναβοσβήνει. Σε αυτή την περίπτωση, αφήστε το εργαλείο και την μπαταρία να ψυχθούν πριν ενεργοποιήσετε ξανά το εργαλείο.

Προστασία υπερβολικής αποφόρτισης

Όταν η φόρτιση μπαταρίας δεν είναι αρκετή, το εργαλείο σταματάει αυτόματα. Σε αυτή την περίπτωση, βγάλετε την μπαταρία από το εργαλείο και φορτίστε την μπαταρία.

ΠΑΡΑΤΗΡΗΣΗ: Το σύστημα προστασίας είναι πιο πιθανό να λειτουργεί ανάλογα με τη θερμοκρασία περιβάλλοντος ή του τύπου και κατάσταση του γράσου.

Προστασία και από άλλες αιτίες

Το σύστημα προστασίας έχει επίσης σχεδιαστεί για άλλες αιτίες που μπορούν να προκαλέσουν ζημιά στο εργαλείο και επιτρέπει την αυτόματη διακοπή του εργαλείου. Λάβετε όλα τα ακόλουθα βήματα για να διορθώσετε τις αιτίες, όταν το εργαλείο τεθεί σε προσωρινή διακοπή ή διακοπή κατά τη διάρκεια της λειτουργίας.

1. Απενεργοποιήστε το εργαλείο και, στη συνέχεια, ενεργοποιήστε το ξανά για επανεκκίνηση.
2. Φορτίστε την μπαταρία ή τις μπαταρίες ή αντικαταστήστε τις με επαναφορτιζόμενες μπαταρίες.
3. Αφήστε το εργαλείο και τις μπαταρίες να ψυχθούν.

Αν δεν υπάρχει βελτίωση με την επαναφορά του συστήματος προστασίας, επικοινωνήστε με το τοπικό σας κέντρο εξυπηρέτησης της Makita.

Εμφάνιση υπολειπόμενης χωρητικότητας μπαταρίας

Μόνο για κασέτες μπαταρίας με την ενδεικτική λυχνία

► **Εικ.3:** 1. Ενδεικτικές λυχνίες 2. Κουμπί ελέγχου

Πιέστε το κουμπί ελέγχου στην κασέτα μπαταριών για να υποδείξετε την υπολειπόμενη χωρητικότητα μπαταρίας. Οι ενδεικτικές λυχνίες ανάβουν για λίγα δευτερόλεπτα.

Ενδεικτικές λυχνίες			Υπολειπόμενη χωρητικότητα
Αναμμένες	Σβηστές	Αναβοσβήνουν	
■ ■ ■ ■	□ □ □ □	▧	75% έως 100%
■ ■ ■ □	□ □ □ □	▧	50% έως 75%
■ ■ □ □	□ □ □ □	▧	25% έως 50%
■ □ □ □	□ □ □ □	▧	0% έως 25%
▧ □ □ □	□ □ □ □	▧	Φορτίστε την μπαταρία.
■ ■ □ □	□ □ □ □	▧	Μπορεί να προέκυψε δυσλειτουργία στην μπαταρία.
□ □ ■ ■	□ □ □ □	▧	

ΠΑΡΑΤΗΡΗΣΗ: Ανάλογα με τις συνθήκες χρήσης και τη θερμοκρασία περιβάλλοντος, η ένδειξη μπορεί να διαφέρει λίγο από την πραγματική χωρητικότητα.

ΠΑΡΑΤΗΡΗΣΗ: Η πρώτη (τέρμα αριστερά) ενδεικτική λυχνία θα αναβοσβήνει όταν λειτουργεί το σύστημα προστασίας μπαταρίας.

Δράση διακόπτη

▲ΠΡΟΣΟΧΗ: Πριν βάλετε την κασέτα μπαταρίας μέσα στο εργαλείο, να ελέγχετε πάντα να δείτε αν η σκανδάλη διακόπτης ενεργοποιείται κανονικά και επιστρέφει στη θέση «OFF» όταν ελευθερώνεται.

▲ΠΡΟΣΟΧΗ: Όταν δεν χειρίζεστε το εργαλείο, πιέστε το κουμπί ασφάλισης σκανδάλης προς την πλευρά «A» για να κλειδώσετε τη σκανδάλη διακόπτη στη θέση απενεργοποίησης.

Για να αποφεύγετε το τράβηγμα της σκανδάλης διακόπτη κατά λάθος, υπάρχει το κουμπί ασφάλισης σκανδάλης. Για να ξεκινήσετε τη λειτουργία του εργαλείου, πιέστε το κουμπί ασφάλισης σκανδάλης προς την πλευρά «B» και τραβήξτε τη σκανδάλη διακόπτη.

Η ταχύτητα του εργαλείου αυξάνεται αν αυξήσετε την πίεση στη σκανδάλη διακόπτη. Για διακοπή της λειτουργίας, ελευθερώστε τη σκανδάλη διακόπτη. Μετά τη χρήση, να πιέζετε πάντα προς τα μέσα το κουμπί ασφάλισης σκανδάλης από την πλευρά «A».

Για συνεχόμενη λειτουργία, τραβήξτε τη σκανδάλη διακόπτη και κατόπιν πιέστε το κουμπί ασφάλισης. Για να διακόψετε τη λειτουργία του εργαλείου από την ασφαλισμένη θέση, τραβήξτε πλήρως τη σκανδάλη διακόπτη για να την απασφαλίσετε.

► **Εικ.4:** 1. Σκανδάλη διακόπτης 2. Κουμπί ασφάλισης 3. Κουμπί ασφάλισης σκανδάλης

Αναμμα της μπροστινής λάμπας

▲ΠΡΟΣΟΧΗ: Μην κοιτάζετε κατευθείαν μέσα στο φως ή στην πηγή φωτός.

Πιέστε το διακόπτη λάμπας για να ανάψετε τη λάμπα. Πιέστε ξανά το διακόπτη λάμπας για να σβήσετε τη λάμπα. Όταν αφήνετε το εργαλείο για περίπου 60 δευτερόλεπτα χωρίς καμία λειτουργία με το μοτέρ ακινητοποιημένο, η λάμπα σβήνει.

► **Εικ.5:** 1. Λάμπα 2. Διακόπτης λάμπας

ΕΙΔΟΠΟΙΗΣΗ: Χρησιμοποιήστε ένα στεγνό πανί για να σκουπίσετε τη σκόνη από το φακό της λάμπας. Προσέχετε να μη γρατζουνίσετε το φακό της λάμπας, επειδή μπορεί να μειωθεί η ένταση του φωτισμού.

Επιλογή του τρόπου λειτουργίας ταχύτητας

ΕΙΔΟΠΟΙΗΣΗ: Αλλάξτε τον τρόπο λειτουργίας ταχύτητας μόνο αφού το εργαλείο έχει σταματήσει εντελώς.

Το εργαλείο χρησιμοποιεί ένα κουμπί αλλαγής του τρόπου λειτουργίας ταχύτητας. Περιστρέψτε το κουμπί ώστε το βέλος στο κουμπί να είναι στραμμένο προς έναν από τους δύο τρόπους λειτουργίας παρακάτω.

1	Τρόπος λειτουργίας αργής ταχύτητας: Διανέμεται γράσο σε μια σταθερή αργή ταχύτητα.
2	Τρόπος λειτουργίας αυτόματης ταχύτητας: Εφαρμόζεται γράσο ενώ μεταβάλλεται αυτόματα η παροχή ανάλογα με την πίεση του προορισμού παροχής.

► **Εικ.6:** 1. Κουμπί αλλαγής του τρόπου λειτουργίας ταχύτητας

Βαλβίδα εκτόνωσης πίεσης

Όταν η εσωτερική πίεση στο εργαλείο ξεπεράσει ένα ορισμένο επίπεδο, το γράσο βγαίνει από τη βαλβίδα εκτόνωσης πίεσης για να μειωθεί η εσωτερική πίεση.

► **Εικ.7:** 1. Βαλβίδα εκτόνωσης πίεσης

▲ΠΡΟΣΟΧΗ: Μην αφαιρέσετε και μην κάνετε καμία ρύθμιση στη βαλβίδα εκτόνωσης πίεσης.

▲ΠΡΟΣΟΧΗ: Μην αφαιρέσετε το κάλυμμα της βαλβίδας εκτόνωσης πίεσης. Διαφορετικά μπορεί να εκτοξευτεί γράσο από τη βαλβίδα εκτόνωσης πίεσης και να μπει στα μάτια σας.

ΣΥΝΑΡΜΟΛΟΓΗΣΗ

▲ ΠΡΟΣΟΧΗ: Να βεβαιώνεστε πάντα ότι το εργαλείο είναι σβηστό και η κασέτα μπαταρίας έχει αφαιρεθεί πριν εκτελέσετε κάποια εργασία στο εργαλείο.

Αφαίρεση ή τοποθέτηση του κυλίνδρου

Για να αφαιρέσετε τον κύλινδρο, βιδώστε τον όπως απεικονίζεται.

► **Εικ.8:** 1. Κύλινδρος

Για να τοποθετήσετε τον κύλινδρο, τοποθετήστε τον μέσα στο εργαλείο και μετά βιδώστε τον με αντίθετη κατεύθυνση.

► **Εικ.9:** 1. Κύλινδρος

Λαβή ράβδου

ΕΙΔΟΠΟΙΗΣΗ: Μην τραβάτε τη λαβή ράβδου όταν η βαλβίδα για την έξοδο αέρα είναι στερεωμένη ενώ ο κύλινδρος είναι τοποθετημένος στο εργαλείο. Βεβαιωθείτε ότι έχετε χαλαρώσει τη βαλβίδα για την έξοδο αέρα. Αν δεν τηρήσετε αυτή την οδηγία, μπορεί να προκληθεί δυσλειτουργία.

Τραβήξτε τη λαβή ράβδου όταν τοποθετείτε γράσο στον κύλινδρο.

► **Εικ.10:** 1. Λαβή ράβδου 2. Ράβδος

Για να ασφαλίσετε την εντελώς τραβηγμένη λαβή ράβδου, τραβήξτε τη λαβή ράβδου μέχρι να μπορείτε να δείτε την εγκοπή στη ράβδο και, στη συνέχεια, κουμπώστε την εγκοπή στη σχισμή. Για να απασφαλίσετε τη λαβή ράβδου, ξεκουμπώστε την εγκοπή ώστε η ράβδος να μετακινηθεί προς τα εμπρός.

► **Εικ.11:** 1. Εγκοπή 2. Σχισμή

▲ ΠΡΟΣΟΧΗ: Βεβαιωθείτε ότι η λαβή ράβδου είναι ασφαλισμένη καλά. Διαφορετικά, μπορεί να απασφαλιστεί κατά λάθος και να προκληθεί τσίμπημα.

Υποδοχές συγκράτησης εύκαμπτου σωλήνα

Ο υποδοχάς συγκράτησης εύκαμπτου σωλήνα μπορεί να στερεωθεί σε οποιαδήποτε πλευρά του εργαλείου με τη βίδα.

► **Εικ.12:** 1. Υποδοχάς συγκράτησης εύκαμπτου σωλήνα 2. Βίδα

Ιμάντας ώμου

▲ ΠΡΟΕΙΔΟΠΟΙΗΣΗ: Μην χρησιμοποιείτε την οπή ιμάντα για αναδέτη (ιμάντας πρόσδεσης). Αν το κάνετε αυτό, μπορεί να προκληθεί σοβαρός τραυματισμός επειδή η οπή ιμάντα δεν προορίζεται ως συσκευή ασφαλείας για την αποφυγή πτώσεων.

▲ ΠΡΟΕΙΔΟΠΟΙΗΣΗ: Όταν μεταφέρετε το εργαλείο, συνεχίστε να κρατάτε το εργαλείο ακόμη και όταν χρησιμοποιείτε τον ιμάντα ώμου. Αν μεταφέρετε το εργαλείο χρησιμοποιώντας μόνο τον ιμάντα ώμου, αυτό γίνεται ασταθές. Ο ιμάντας ώμου μπορεί να βγει ή το εργαλείο μπορεί να χτυπήσει άλλα αντικείμενα και να προκληθεί τραυματισμός.

Συνδέστε τους γάντζους του ιμάντα ώμου στις στηρίξεις των οπών ιμάντα όπως απεικονίζεται στην εικόνα.

► **Εικ.13:** 1. Ιμάντας ώμου 2. Γάντζος 3. Στηρίξη

ΛΕΙΤΟΥΡΓΙΑ

Παροχή γράσου

▲ ΠΡΟΕΙΔΟΠΟΙΗΣΗ: Φροντίστε να διαβάσετε τα εγχειρίδια οδηγιών του γράσου ή/και των άλλων οργάνων και να αντικαταστήσετε το ακόλουθο περιεχόμενο όπως απαιτείται. Η λανθασμένη χρήση ή αποτυχία να ακολουθήσετε τις οδηγίες μπορεί να επιφέρει ζημιά στο εργαλείο ή τραυματισμό.

ΕΙΔΟΠΟΙΗΣΗ: Όταν χρησιμοποιείτε τον κύλινδρο με υπολείμματα παλιού γράσου, αφαιρέστε τον κύλινδρο και πραγματοποιήστε εκκαθάριση του παλιού γράσου σύμφωνα με την παράγραφο για την εκκαθάριση γράσου.

Η παροχή γράσου γίνεται με τους ακόλουθους τρόπους:

Τοποθέτηση φύσιγγας γράσου (αγορασμένη στο εμπόριο) στον κύλινδρο

ΕΙΔΟΠΟΙΗΣΗ: (Για κύλινδρο τύπου Α μόνο)

Χρησιμοποιήστε τη φύσιγγα γράσου της οποίας το χείλος μπορεί να αγκιστρωθεί στην ακριαία επιφάνεια του κυλίνδρου.

ΕΙΔΟΠΟΙΗΣΗ: (Για κύλινδρο τύπου Β/τύπου C μόνο)

Χρησιμοποιήστε τη φύσιγγα γράσου της οποίας το χείλος μπορεί να αγκιστρωθεί στο εσωτερικό σκαλοπάτι του κυλίνδρου.

1. Χαλαρώστε τη βαλβίδα για την έξοδο αέρα.
► **Εικ.14:** 1. Βαλβίδα
 2. Τραβήξτε πλήρως τη λαβή ράβδου και ασφαλίστε την.
► **Εικ.15:** 1. Εγκοπή 2. Ράβδος 3. Λαβή ράβδου
 3. Αφαιρέστε τον κύλινδρο από το εργαλείο.
► **Εικ.16:** 1. Κύλινδρος
 4. Αφαιρέστε το πλαστικό καπάκι της φύσιγγας γράσου και εισαγάγετε τη φύσιγγα γράσου στον κύλινδρο.
► **Εικ.17:** 1. Φύσιγγα γράσου (αγορασμένη στο εμπόριο) 2. Γλωπίδα ασφάλισης
 5. Βγάλετε τη γλωπίδα ασφάλισης της φύσιγγας γράσου και, στη συνέχεια, τοποθετήστε τον κύλινδρο στο εργαλείο. Αν υπάρχει κενό μεταξύ του χείλους της φύσιγγας γράσου και του κυλίνδρου, βιδώστε τον κύλινδρο στο εργαλείο ενώ σπρώχνετε τον κύλινδρο προς τα μπροστά.
► **Εικ.18**
 6. Απελευθερώστε τη λαβή ράβδου.
► **Εικ.19**
 7. Εξαγάγετε τον αέρα που παραμένει στη διαδρομή ροής του γράσου.
► **Εικ.20**
 8. Στερεώστε τη βαλβίδα για την έξοδο αέρα όταν δείτε ότι βγαίνει γράσο από την οπή.
► **Εικ.21**
- ΠΑΡΑΤΗΡΗΣΗ:** Αν το εργαλείο δεν μπορεί να ρίξει γράσο με ακρίβεια, μπορεί να παραμείνει αέρας στη διαδρομή ροής του γράσου. Χαλαρώστε τη βαλβίδα για την έξοδο αέρα και εξαγάγετε τον αέρα. (Ανατρέξτε στην ενότητα για την εξαγωγή του αέρα).

Πλήρωση κυλίνδρου με γράσο από δοχείο με χύμα γράσο (αγορασμένο στο εμπόριο)

1. Χαλαρώστε τη βαλβίδα για την έξοδο αέρα.
2. Τραβήξτε πλήρως τη λαβή ράβδου και ασφαλίστε την.
3. Αφαιρέστε τον κύλινδρο από το εργαλείο. Απασφαλίστε τη λαβή ράβδου και μετακινήστε απαλά τη ράβδο προς τα μπροστά.
4. Βυθίστε τη μύτη του κυλίνδρου στο γράσο και, στη συνέχεια, τραβήξτε τη λαβή ράβδου. Το γράσο αντλείται στον κύλινδρο.
► **Εικ.22:** 1. Δοχείο με χύμα γράσο (αγορασμένη στο εμπόριο)
5. Τραβήξτε πλήρως τη λαβή ράβδου και ασφαλίστε την.
► **Εικ.23**
6. Τοποθετήστε τον κύλινδρο στο εργαλείο και, στη συνέχεια, απασφαλίστε τη λαβή ράβδου.
7. Εξαγάγετε τον αέρα που παραμένει στη διαδρομή ροής του γράσου.
8. Στερεώστε τη βαλβίδα για την έξοδο αέρα όταν δείτε ότι βγαίνει γράσο από την οπή.

ΕΙΔΟΠΟΙΗΣΗ: Όταν κλειδώνετε τη λαβή ράβδου, βεβαιωθείτε ότι η λαβή ράβδου είναι ασφαλισμένη καλά. Διαφορετικά, η λαβή ράβδου μπορεί να απασφαλιστεί κατά λάθος και να βγει γράσο από τον κύλινδρο.

ΠΑΡΑΤΗΡΗΣΗ: (Για κύλινδρο τύπου Β/τύπου C μόνο)

Η ποσότητα της πλήρωσης γράσου θα πρέπει να είναι κάτω από τη γραμμή εγκοπής της βίδας. Διαφορετικά, θα γίνει υπερπλήρωση του γράσου όταν τοποθετείτε τον κύλινδρο στο εργαλείο.

- **Εικ.24:** 1. Κύλινδρος (τύπου Β/τύπου C) 2. Εγκοπή βίδας 3. Γράσο

ΠΑΡΑΤΗΡΗΣΗ: Αν το εργαλείο δεν μπορεί να ρίξει γράσο με ακρίβεια, μπορεί να παραμείνει αέρας στη διαδρομή ροής του γράσου. Χαλαρώστε τη βαλβίδα για την έξοδο αέρα και εξαγάγετε τον αέρα. (Ανατρέξτε στην ενότητα για την εξαγωγή του αέρα).

Μπορείτε, επίσης, να γεμίσετε τον κύλινδρο με γράσο χρησιμοποιώντας αντλία πλήρωσης (αγορασμένη στο εμπόριο), η οποία είναι συνδεδεμένη στο δοχείο με χύμα γράσο.

1. Αφαιρέστε τον κύλινδρο από το εργαλείο.
2. Τυλίξτε την ταινία σφράγισης σπειρωμάτων γύρω από το τμήμα σπειρωμάτων του προσάρτηματος φόρτισης (αγορασμένο στο εμπόριο).
3. Αφαιρέστε την τάπα θύρας πλήρωσης. Συνδέστε ένα προσάρτημα φόρτισης στη θύρα πλήρωσης.
4. Τοποθετήστε τον κύλινδρο στο εργαλείο. (Η λαβή ράβδου είναι απασφαλισμένη).

5. Βεβαιωθείτε ότι έχετε στερεώσει τη βαλβίδα για την έξοδο αέρα.

Συνδέστε το προσάρτημα φόρτισης στο προσάρτημα της αντλίας πλήρωσης.

- **Εικ.25:** 1. Τάπα θύρας πλήρωσης 2. Θύρα πλήρωσης 3. Προσάρτημα φόρτισης (αγορασμένο στο εμπόριο) 4. Αντλία πλήρωσης (αγορασμένη στο εμπόριο) 5. Προσάρτημα
6. Θέστε την αντλία πλήρωσης σε λειτουργία. Η ράβδος στη λαβή ράβδου θα ωθηθεί προς τα έξω καθώς ο κύλινδρος γεμίζεται με γράσο.
► **Εικ.26**
 7. Αποσυνδέστε το προσάρτημα φόρτισης από το προσάρτημα της αντλίας πλήρωσης.
 8. Εξαγάγετε τον αέρα που παραμένει στη διαδρομή ροής του γράσου.
 9. Στερεώστε τη βαλβίδα για την έξοδο αέρα όταν δείτε ότι βγαίνει γράσο από την οπή.

▲ΠΡΟΕΙΔΟΠΟΙΗΣΗ: Χρησιμοποιήστε μόνο προσάρτημα φόρτισης χαμηλής πίεσης. Μην χρησιμοποιήσετε ποτέ ένα προσάρτημα φόρτισης υψηλής πίεσης, επειδή μπορεί να προκληθεί ζημιά στο εργαλείο καθώς και προσωπικός τραυματισμός.

▲ΠΡΟΣΟΧΗ: Κρατήστε το εργαλείο σταθερά κατά την πλήρωση γράσου χρησιμοποιώντας την αντλία πλήρωσης. Το εργαλείο μπορεί να πέσει και να προκαλέσει τραυματισμό.

ΕΙΔΟΠΟΙΗΣΗ: Σταματήστε την πλήρωση γράσου όταν δείτε την εγκοπή στη ράβδο. Διαφορετικά, μπορεί να συμβεί διαρροή γράσου.

ΠΑΡΑΤΗΡΗΣΗ: Αν το εργαλείο δεν μπορεί να ρίξει γράσο με ακρίβεια, μπορεί να παραμείνει αέρας στη διαδρομή ροής του γράσου. Χαλαρώστε τη βαλβίδα για την έξοδο αέρα και εξαγάγετε τον αέρα. (Ανατρέξτε στην ενότητα για την εξαγωγή του αέρα).

Εξαγωγή αέρα

Αν παραμείνει αέρας στη διαδρομή ροής του γράσου, το εργαλείο δεν μπορεί να διανέμει γράσο με ακρίβεια. Εξαγάγετε τον αέρα πριν από κάθε χρήση αλλά και όταν φαίνεται ότι το εργαλείο δεν λειτουργεί σωστά λόγω αέρα.

1. Για να εξαγάγετε τον αέρα από το εσωτερικό του εργαλείου, χαλαρώστε τη βαλβίδα για την έξοδο αέρα. Αέρας εξέρχεται από την οπή για την έξοδο αέρα.
2. Συνδέστε τη βαλβίδα όταν δείτε ότι βγαίνει γράσο από την οπή.
► **Εικ.27:** 1. Βαλβίδα

▲ΠΡΟΕΙΔΟΠΟΙΗΣΗ: Φοράτε προστατευτικά γυαλιά όταν εξαγάγετε τον αέρα.

▲ΠΡΟΣΟΧΗ: Σκουπίστε το γράσο που βγήκε από την έξοδο αέρα με ένα στεγνό πανί ή κάτι παρόμοιο. Διαφορετικά, μπορεί να προκαλέσει ολίσθηση και να έχει ως αποτέλεσμα τραυματισμό.

Διανομή του γράσου

Στις ακόλουθες περιπτώσεις, πραγματοποιήστε εκκαθάριση του παλιού γράσου στο εσωτερικό του εργαλείου πριν από τη χρήση:

- Όταν χρησιμοποιείτε το εργαλείο για πρώτη φορά, ή
- Όταν χρησιμοποιείτε διαφορετικό τύπο γράσου από προηγούμενη χρήση.

Με το νέο γράσο στον κύλινδρο, θέστε το εργαλείο σε λειτουργία για λίγο μέχρι να ωθηθεί το παλιό γράσο από τον προσαρμογέα.

ΕΙΔΟΠΟΙΗΣΗ: Μην συνδέετε τον προσαρμογέα στο γρασαδοράκι μέχρι να γίνει εκκαθάριση του παλιού γράσου. Αν αναμειχθούν διαφορετικά είδη γράσου, η απόδοση του γράσου μπορεί να μειωθεί.

ΠΑΡΑΤΗΡΗΣΗ: Το εργαλείο έχει δοκιμαστεί στο εργοστάσιο και παραμένει μια μικρή ποσότητα γράσου σε αυτό.

Εκτελέστε την παρακάτω διαδικασία για να διανείμετε το γράσο.

▲ ΠΡΟΣΟΧΗ: Να ελέγχετε πάντα τον τρόπο λειτουργίας ταχύτητας πριν τη λειτουργία.

ΕΙΔΟΠΟΙΗΣΗ: Πριν συνδέσετε τον προσαρμογέα στο γρασαδοράκι, να βεβαιώνετε πάντα ότι το εργαλείο διανέμει το γράσο σωστά.

ΕΙΔΟΠΟΙΗΣΗ: Μην συνδέετε τον προσαρμογέα με το γρασαδοράκι με τη βία.

1. Σκουπίστε τον προσαρμογέα και το γρασαδοράκι πριν από τη σύνδεση. Σπρώξτε τον προσαρμογέα ευθεία μέσα στο γρασαδοράκι.

2. Τραβήξτε τη σκανδάλη διακόπτη για να διανείμετε το γράσο.
▶ **Εικ.28**

3. Όταν τελειώσει η διανομή του γράσου, αφαιρέστε τον προσαρμογέα από το γρασαδοράκι. Γείρτε τον προσαρμογέα ελαφρά για να εκτονώσετε την εσωτερική πίεση και, στη συνέχεια, αφαιρέστε τον προσαρμογέα από το γρασαδοράκι.

Σκουπίστε το γράσο από τον προσαρμογέα και το γρασαδοράκι.

ΕΙΔΟΠΟΙΗΣΗ: Μην αφήνετε το εργαλείο να λειτουργεί αφού τελειώσει το γράσο. Μπορεί να συντομεύσει τη διάρκεια ζωής του εργαλείου.

ΠΑΡΑΤΗΡΗΣΗ: Αν το εργαλείο δεν μπορεί να ρίξει γράσο με ακρίβεια, μπορεί να παραμένει αέρας στη διαδρομή ροής του γράσου. Χαλαρώστε τη βαλβίδα για την έξοδο αέρα και εξαγάγετε τον αέρα. (Ανατρέξτε στην ενότητα για την εξαγωγή του αέρα).

ΠΑΡΑΤΗΡΗΣΗ: Αν η εσωτερική πίεση αυξηθεί ενώ η σκανδάλη διακόπτη δεν είναι πλήρως τραβηγμένη, το σύστημα προστασίας λειτουργεί και το μοτέρ θα σταματήσει ακόμη κι αν το εργαλείο δεν φτάσει τη μέγιστη πίεση λειτουργίας. Όταν εγχύνετε το γράσο με υψηλή πίεση, τραβήξτε πλήρως τη σκανδάλη διακόπτη.

ΠΑΡΑΤΗΡΗΣΗ: Το εργαλείο σταματά αυτόματα όταν το εργαλείο λειτουργεί για περισσότερα από 6 λεπτά.

Στην περίπτωση που το εργαλείο δεν ρίχνει γράσο με ακρίβεια

Αν το εργαλείο δεν μπορεί να ρίξει γράσο με ακρίβεια, μπορεί να παραμένει αέρας στη διαδρομή ροής του γράσου. Εξαγάγετε τον αέρα σύμφωνα με την ακόλουθη διαδικασία.

1. Χαλαρώστε τη βαλβίδα για την έξοδο αέρα.
▶ **Εικ.29:** 1. Βαλβίδα
2. Εξαγάγετε τον αέρα που παραμένει στη διαδρομή ροής του γράσου.
▶ **Εικ.30**
3. Στερεώστε τη βαλβίδα για την έξοδο αέρα όταν δείτε ότι βγαίνει γράσο από την σπή.
▶ **Εικ.31**

ΣΥΝΤΗΡΗΣΗ

▲ ΠΡΟΣΟΧΗ: Πριν την εκτέλεση εργασιών επιθεώρησης ή συντήρησης, πάντοτε να βεβαιώνετε ότι η συσκευή απενεργοποιήθηκε και η κασέτα μπαταριών έχει αφαιρεθεί.

ΕΙΔΟΠΟΙΗΣΗ: Μην χρησιμοποιείτε ποτέ βενζίνη, πετρελαϊκό αιθέρα, διαλυτικό, αλκοόλη ή παρόμοιες ουσίες. Μπορεί να προκληθεί αποχρωματισμός, παραμόρφωση ή ρωγμές.

Για τη διατήρηση της ΑΣΦΑΛΕΙΑΣ και ΑΞΙΟΠΙΣΤΙΑΣ του προϊόντος, οι επισκευές και οποιαδήποτε άλλη εργασία συντήρησης ή ρύθμισης πρέπει να εκτελούνται από εξουσιοδοτημένα ή εργοστασιακά κέντρα εξυπηρέτησης της Makita, χρησιμοποιώντας πάντοτε ανταλλακτικά της Makita.

Εκκαθάριση γράσου

Όταν αποθηκεύετε το εργαλείο ή χρησιμοποιείτε τον κύλινδρο όταν παραμένει γράσο σε αυτόν, αφαιρέστε τον κύλινδρο και πραγματοποιήστε εκκαθάριση του παλιού γράσου σύμφωνα με την ακόλουθη διαδικασία.

1. Χαλαρώστε τη βαλβίδα για την έξοδο αέρα.
2. Τραβήξτε πλήρως τη λαβή ράβδου και ασφαλίστε την.
3. Αφαιρέστε τον κύλινδρο από το εργαλείο.
4. Απασφαλίστε τη λαβή ράβδου. Συνεχίστε να κρατάτε τη λαβή ράβδου και να μετακινείτε αργά τη λαβή ράβδου προς τα εμπρός ώστε να βγαίνει γράσο από τον κύλινδρο.

▲ ΠΡΟΣΟΧΗ: Μην πάρετε το χέρι σας από τη λαβή ράβδου. Διαφορετικά το γράσο πετάγεται απάτομα.

ΕΙΔΟΠΟΙΗΣΗ: Κρατήστε τη σκόνη μακριά από το εσωτερικό του κυλίνδρου. Η σκόνη μπορεί να φράξει το εργαλείο.

ΕΙΔΟΠΟΙΗΣΗ: Να καθαρίζετε το εσωτερικό του κυλίνδρου μία φορά κάθε τρεις μήνες.

ΠΡΟΑΙΡΕΤΙΚΑ ΕΞΑΡΤΗΜΑΤΑ

▲ ΠΡΟΣΟΧΗ: Αυτά τα εξαρτήματα ή προσαρτήματα συνιστώνται για χρήση με το εργαλείο Makita που περιγράφηκε στις οδηγίες αυτές. Η χρήση οποιωνδήποτε άλλων εξαρτημάτων ή προσαρτημάτων μπορεί να προκαλέσει κίνδυνο τραυματισμού σε άτομα. Να χρησιμοποιείτε τα εξαρτήματα ή προσαρτήματα μόνο για την χρήση που προορίζονται.

Εάν χρειάζεστε οποιαδήποτε βοήθεια για περισσότερες πληροφορίες σε σχέση με αυτά τα εξαρτήματα, απαντήστε στο τοπικό σας κέντρο εξυπηρέτησης Makita.

- Προσαρμογέας
- Εύκαμπτος σωλήνας
- Κύλινδρος
- Κύλινδρος φύσιγγας
- Ιμάντας ώμου
- Ασφάλιση στον προσαρμογέα
- Γωνιακός προσαρμογέας
- Γνήσια μπαταρία και φορτιστής της Makita

ΠΑΡΑΤΗΡΗΣΗ: Μερικά στοιχεία στη λίστα μπορεί να συμπεριλαμβάνονται στη συσκευασία εργαλείου ως στάνταρ εξαρτήματα. Μπορεί να διαφέρουν ανάλογα με τη χώρα.

Αντικατάσταση του προσαρμογέα

Χαλαρώστε και αφαιρέστε τον παλιό προσαρμογέα με δύο κλειδιά όπως απεικονίζεται και, στη συνέχεια, σφίξτε καλά τον νέο προσαρμογέα.

► **Εικ.32**

ΠΑΡΑΤΗΡΗΣΗ: Αν το γράσο διαρρέυσει από την ένωση μεταξύ του εύκαμπτου σωλήνα και του προσαρμογέα, περάστε την ταινία σφράγισης σπειρωμάτων γύρω από το τμήμα σπειρωμάτων του εύκαμπτου σωλήνα πριν συνδέσετε τον προσαρμογέα.

Αντικατάσταση του εύκαμπτου σωλήνα

Χαλαρώστε και αφαιρέστε τον παλιό εύκαμπτο σωλήνα με ένα κλειδί όπως απεικονίζεται και, στη συνέχεια, σφίξτε καλά τον νέο εύκαμπτο σωλήνα.

► **Εικ.33**

▲ ΠΡΟΣΟΧΗ: Την ίδια στιγμή, αντικαταστήστε και τον ελαστικό δακτύλιο που είναι προσαρτημένος στο τμήμα σύνδεσης του καινούριου εύκαμπτου σωλήνα. Αν αντικαταστήσετε τον εύκαμπτο σωλήνα χωρίς τον ελαστικό δακτύλιο ή με τον παλιό ελαστικό δακτύλιο, μπορεί να διαρρέυσει γράσο και να προκληθεί τραυματισμός.

Αλλαγή του κυλίνδρου

ΠΑΡΑΤΗΡΗΣΗ: Ο τύπος κυλίνδρου διαφέρει ανάλογα με τη χώρα.

ΠΑΡΑΤΗΡΗΣΗ: Για να τοποθετήσετε έναν κύλινδρο διαφορετικού τύπου, απαιτούνται τα επιπρόσθετα μέρη που περιγράφονται παρακάτω, ανάλογα με τον τύπο του κυλίνδρου.

Αλλαγή του κυλίνδρου από τύπου A σε τύπου B/τύπου C

1. Αφαιρέστε τον κύλινδρο τύπου A.
2. Αφαιρέστε τη βίδα και, στη συνέχεια, αφαιρέστε το χιτώνιο.
► **Εικ.34:** 1. Χιτώνιο 2. Βίδα
3. Εισαγάγετε την ένωση με το ελαστικό παρέμβυσμα ενώ ευθυγραμμίζετε τη γλωττίδα με την εγκοπή στο τμήμα στερέωσης και, στη συνέχεια, ασφαλίστε την με τις βίδες.
4. Εγκαταστήστε τον κύλινδρο τύπου B/τύπου C.
► **Εικ.35:** 1. Ένωση 2. Ελαστικό παρέμβυσμα 3. Γλωττίδα 4. Εγκοπή 5. Βίδα

Αλλαγή του κυλίνδρου από τύπου B/τύπου C σε τύπου A

1. Αφαιρέστε τον κύλινδρο τύπου B/τύπου C.
2. Ξεβιδώστε και αφαιρέστε την ένωση.
► **Εικ.36:** 1. Ένωση 2. Ελαστικό παρέμβυσμα 3. Βίδα
3. Εισαγάγετε το χιτώνιο στο περίβλημα εργαλείου και, στη συνέχεια, ασφαλίστε τον με μια βίδα.
4. Τοποθετήστε τον κύλινδρο τύπου A.
► **Εικ.37:** 1. Χιτώνιο 2. Βίδα

Κύλινδρος φύσιγγας

Μπορείτε να δείτε τη φύσιγγα γράσου μέσω της οπής στον κύλινδρο φύσιγγας.

► **Εικ.38**

Όταν χρησιμοποιείτε τον κύλινδρο φύσιγγας, μεταφέρετε τα μέρη του εμβόλου από τον αντίστοιχο κύλινδρο στον κύλινδρο φύσιγγας.

► **Εικ.39:** 1. Μέρη του εμβόλου 2. Κύλινδρος φύσιγγας

Αν είναι δύσκολο να τραβήξετε τη λαβή ράβδου, ακολουθήστε την παρακάτω διαδικασία.

1. Εισαγάγετε την άδεια φύσιγγα γράσου στον κύλινδρο.
► **Εικ.40:** 1. Άδεια φύσιγγα γράσου
2. Τραβήξτε τη λαβή ράβδου και ασφαλίστε την.
► **Εικ.41**
3. Αφαιρέστε την άδεια φύσιγγα γράσου από τον κύλινδρο.

Ασφάλιση στον προσαρμογέα

⚠ ΠΡΟΣΟΧΗ: Προσέχετε να μην πιάσετε το δάχτυλό σας στην ασφάλιση στον προσαρμογέα.

⚠ ΠΡΟΣΟΧΗ: Να φοράτε προστατευτικά γυαλιά. Όταν αφαιρείτε την ασφάλιση στον προσαρμογέα από το γρασαδοράκι, μπορεί να πεταχτεί γράσο από το εργαλείο και να προκληθεί τραυματισμός.

Όταν συνδέετε την ασφάλιση στον προσαρμογέα στο γρασαδοράκι, σπρώξτε την ασφάλιση στον προσαρμογέα ευθεία μέσα στο γρασαδοράκι ενώ τραβάτε το μοχλό της ασφάλισης στον προσαρμογέα και, στη συνέχεια, αφήστε το μοχλό.

► **Εικ.42:** 1. Μοχλός 2. Ασφάλιση στον προσαρμογέα

Για να συναρμολογήσετε την ασφάλιση στον προσαρμογέα, ανατρέξτε στην ενότητα για την αντικατάσταση του προσαρμογέα.

Γωνιακός προσαρμογέας

Όταν συνδέετε τον γωνιακό προσαρμογέα, σπρώξτε τον προσαρμογέα του εργαλείου ευθεία μέσα στον γωνιακό προσαρμογέα.

► **Εικ.43:** 1. Γωνιακός προσαρμογέας

ΠΑΡΑΤΗΡΗΣΗ: Συνιστάται ο γωνιακός προσαρμογέας για την έγχυση γράσου σε σχετικά χαμηλή πίεση, όπως την αντικατάσταση παλιού γράσου σε ενώσεις ή ολισθαίνοντα εξαρτήματα βαρέων μηχανημάτων και οχημάτων.

ΑΝΤΙΜΕΤΩΠΙΣΗ ΠΡΟΒΛΗΜΑΤΩΝ

Πριν ζητήσετε επισκευές, εκτελέστε αρχικά τη δική σας επιθεώρηση. Αν εντοπίσετε πρόβλημα που δεν επεξηγείται στο εγχειρίδιο, μην επιχειρήσετε να αποσυναρμολογήσετε το εργαλείο. Αντ' αυτού, ζητήστε βοήθεια από εξουσιοδοτημένα κέντρα εξυπηρέτησης της Makita και πάντοτε να χρησιμοποιείτε γνήσια ανταλλακτικά της Makita.

Κατάσταση προβλήματος	Πιθανή αιτία (δυσλειτουργία)	Αποκατάσταση
Το εργαλείο δεν βγάζει γράσο.	Παραμένει αέρας στη διαδρομή ροής του γράσου.	Για να εξαγάγετε τον αέρα από το εσωτερικό του εργαλείου, χαλαρώστε τη βαλβίδα για την έξοδο αέρα.
	Η βαλβίδα για την έξοδο αέρα είναι χαλαρή.	Στερεώστε τη βαλβίδα για την έξοδο αέρα.
	Η πυκνότητα του γράσου είναι υψηλή.	Χρησιμοποιήστε γράσο NLGI αρ.0 - αρ.2.
	Το γράσο είναι σκληρό λόγω της χαμηλής θερμοκρασίας περιβάλλοντος/ αποθήκευσης.	Θερμάνετε το γράσο πριν τη χρήση.
	Δεν υπάρχει γράσο στο εσωτερικό του εργαλείου.	Παρέχετε γράσο στο εργαλείο.
Δεν είναι δυνατόν να τραβήξετε τη λαβή ράβδου.	Η βαλβίδα για την έξοδο αέρα είναι στερεωμένη.	Χαλαρώστε τη βαλβίδα για την έξοδο αέρα.
Διαρρέει γράσο από τον προσαρμογέα.	Υπάρχει φθορά, ζημιά ή σκόνη στη θύρα εξαγωγής γράσου (γρασαδοράκι).	Καθαρίστε ή αντικαταστήστε τη θύρα εξαγωγής γράσου (γρασαδοράκι).
	Ο προσαρμογέας είναι φθαρμένος.	Αντικαταστήστε τον προσαρμογέα.
Δεν βγαίνει γράσο από τη βαλβίδα εξόδου αέρα όταν εξαγάγετε τον αέρα.	Η βαλβίδα εξόδου αέρα δεν είναι αρκετά χαλαρή.	Χαλαρώστε περισσότερο τη βαλβίδα εξόδου αέρα.
	Το γράσο είναι σκληρό.	Ο αέρας μπορεί ήδη να έχει εξαχθεί. Στερεώστε τη βαλβίδα για την έξοδο αέρα, τοποθετήστε την κασέτα μπαταριών και ενεργοποιήστε το εργαλείο για να ελέγξετε αν το εργαλείο βγάζει γράσο.

TEKNİK ÖZELLİKLER

Model:		DGP180
Anma voltajı		D.C. 18 V
Gres kapasitesi (A tipi fiçi ile)	Kartuş	410 g
	Dökme	455 g
Gres kapasitesi (B tipi fiçi ile)	Kartuş	450 g
	Dökme	570 g
Maksimum çalışma basıncı		69 MPa
Maksimum debi	Düşük hız modu	145 ml/min
	Otomatik hız modu	290 ml/min
Kullanılabilir gres tipi		NLGI No.0 - No.2
Hortum uzunluğu		1.200 mm
Toplam uzunluk	A tipi fiçi ile	411 mm
	B tipi fiçi ile	449 mm
Net ağırlık		4,8 - 6,1 kg

NOT: Fiçi tipi (A tipi veya B tipi) ülkeye göre değişir.

- Sürekli yapılan araştırma ve geliştirmelerden dolayı, burada belirtilen özellikler önceden bildirilmeksizin değiştirilebilir.
- Özellikler ve batarya kartuşu ülkeden ülkeye değişebilir.
- Ağırlık, ekli aksesuara/aksesuarlara ve batarya kartuşuna bağlı olarak farklılık gösterebilir. EPTA-Prosedürü 01/2014'e göre en hafif ve en ağır kombinasyonlar tabloda verilmiştir.

Geçerli batarya kartuşu ve şarj aleti

Batarya kartuşu	BL1815N / BL1820B / BL1830B / BL1840B / BL1850B / BL1860B
Şarj aleti	DC18RC / DC18RD / DC18RE / DC18SD / DC18SE / DC18SF / DC18SH

- Yukarıda listelenen batarya kartuşlarının ve şarj aletlerinin bazıları yaşadığınız bölgeye bağlı olarak mevcut olmayabilir.

UYARI: Sadece yukarıda listelenen batarya kartuşlarını ve şarj aletlerini kullanın. Başka batarya kartuşlarının ve şarj aletlerinin kullanılması yaralanma ve/veya yangına neden olabilir.

Kullanım amacı

Bu alet, gres basmak için tasarlanmıştır.

Gürültü

Tipik A-ağırlıklı gürültü düzeyi (EN62841-1 standardına göre belirlenen):

Ses basınç seviyesi (L_{pA}): 76 dB (A)

Belirsizlik (K): 3 dB (A)

NOT: Beyan edilen gürültü emisyonu değer(ler)i bir standart test yöntemine uygun şekilde ölçülmüştür ve bir aleti bir başkasıyla karşılaştırmak için kullanılabilir.

NOT: Beyan edilen gürültü emisyonu değer(ler)i bir ön maruz kalma değerlendirmesi olarak da kullanılabilir.

UYARI: Kulak koruyucuları takın.

UYARI: Elektrikli aletin gerçek kullanımı sırasındaki gürültü emisyonu, aletin kullanım biçimlerine, özellikle işlenen iş parçasının türüne bağlı olarak beyan edilen değer(ler)den farklı olabilir.

UYARI: Gerçek kullanım koşullarındaki tahmini maruziyeti baz alan, operatörü koruyacak güvenlik önlemlerini mutlaka belirleyin (çalışma döngüsü içerisinde aletin kapalı olduğu ve aktif durumda olmasının yanı sıra boşta çalıştığı zamanlar gibi, bütün zaman dilimleri göz önünde bulundurarak).

Titreşim

Titreşim toplam değeri (üç eksenli vektör toplamı) (EN62841-1 standardına göre hesaplanan):
Titreşim emisyonu (a_w): 2,5 m/s² den az
Belirsizlik (K) : 1,5 m/s²

NOT: Beyan edilen titreşim toplam değer(ler)i bir standart test yöntemine uygun şekilde ölçülmüştür ve bir aleti bir başkasıyla karşılaştırmak için kullanılabilir.

NOT: Beyan edilen titreşim toplam değer(ler)i bir ön maruz kalma değerlendirmesi olarak da kullanılabilir.

⚠UYARI: Elektrikli aletin gerçek kullanımı sırasındaki titreşim emisyonu, aletin kullanım biçimlerine, özellikle işlenen iş parçasının türüne bağlı olarak beyan edilen değer(ler)den farklı olabilir.

⚠UYARI: Gerçek kullanım koşullarındaki tahmini maruziyeti baz alan, operatörü koruyacak güvenlik önlemlerini mutlaka belirleyin (çalışma döngüsü içerisinde aletin kapalı olduğu ve aktif durumda olmasının yanı sıra boşta çalıştığı zamanlar gibi, bütün zaman dilimleri göz önünde bulundurarak).

EC Uygunluk Beyanı

Sadece Avrupa ülkeleri için

EC uygunluk beyanı bu kullanım kılavuzuna Ek A olarak eklenmiştir.

GÜVENLİK UYARILARI

Genel elektrikli alet güvenliği uyarıları

⚠UYARI: Bu elektrikli aletle birlikte sunulan tüm güvenlik uyarılarını, talimatları, çizimleri ve teknik özellikleri okuyun. Aşağıda verilen talimatlara uyulmaması elektrik şoku, yangın ve/veya ciddi yaralanmalar ile sonuçlanabilir.

Tüm uyarıları ve talimatları iletkende başvurmak için saklayın.

Uyarılardaki "elektrikli alet" terimi ile ya prizden çalışan (kordonlu) elektrikli aletiniz ya da kendi aküsü ile çalışan (kordonsuz) elektrikli aletiniz kastedilmektedir.

Akülü gres tabancası güvenlik uyarıları

1. Makineyi iki elinizle sıkıca tutun.
2. Aleti açık alev yanında çalıştırmayın. Gres yanıcı olabilir.
3. Sadece bu kullanma kılavuzunda belirtilen teknik özellikleri karşılayan gres kullanın. Farklı tipte gres veya gres dışında başka malzeme yüklenmesi arızaya neden olabilir.
4. Yağ gibi gres dışında başka hiçbir malzeme yüklemeyin. Aletten fıkkırarak gözlemlere kaçabilir.

5. Aleti esnek hortumdan veya çubuk kolundan taşımayın.
6. Aleti kullanırken koruyucu gözlük takın.
7. Her kullanımdan önce esnek hortumu kontrol edin. Bükülmüş veya hasarlı ise hortumu kullanmayın. Hortum yüksek basınç sonucu parçalanabilir ve gözlemlere gres kaçabilir.
8. Çubuğun sıkıca sabitlendiğinden emin olun. Çubuk kazara hareket edebilir ve sıkıştırılmaya neden olabilir.
9. Kullanmadan önce gres üreticisi talimatlarını okuyun ve bunlara uyun.
10. Elleri ve kıyafetleri çubuk kolunun çubuğundan uzak tutun. Aksi takdirde parmağınız veya kıyafetleriniz sıkılaşabilir.
11. Alete yapışan gresi temizleyin. Aksi takdirde kaymaya yol açabilir ve yaralanmaya neden olabilir.
12. Esnek hortumu zorla bükmeyin veya üzerine basmayın. Aksi takdirde hortumun kopmasına veya deforme olmasına neden olabilir.
13. Adaptörü, civardaki insanlara yöneltmeyin.
14. Sadece Makita tarafından belirtilen esnek hortumu kullanın. Başka hortum kullanımı yaralanma riski teşkil edebilir.

BU TALİMATLARI SAKLAYIN.

Batarya kartuşu hakkında önemli güvenlik talimatları

1. Batarya kartuşunu kullanmadan önce, tüm talimatları ve (1) batarya kartuşu, (2) batarya ve (3) ürün üzerindeki tüm uyarı işaretlerini okuyun.
2. Batarya kartuşunu parçalarına ayırmayın veya kurcalamayın. Yangın, aşırı ısı veya patlamaya neden olabilir.
3. Çalışma süresi aşırı derecede kısalmışsa kullanmayı derhal bırakın. Aşırı ısınma, yanma riski hatta patlamaya neden olabilir.
4. Gözünüze elektrolit kaçarsa, gözlerinizi temiz suyla durulayın ve hemen tıbbi yardım alın. Görme kaybına yol açabilir.
5. Batarya kartuşuna kısa devre yaptırmayın:
 - (1) Terminallere herhangi bir iletken madde değdirmeyin.
 - (2) Batarya kartuşunu çiviler, madeni paralar, vb. gibi başka metal nesnelere aynı kaba koymaktan kaçın.
 - (3) Batarya kartuşunu yağmura ya da suya maruz bırakmayın.Kısa devre, büyük bir akım akışına, aşırı ısınmaya, olası yanıklara hatta bataryanın bozulmasına yol açabilir.
6. Aleti ve batarya kartuşunu sıcaklığın 50°C ya da daha yüksek ulaştığı yerlerde saklamayın ve kullanmayın.
7. Aşırı derecede hasar görmüş ya da tamamen kullanılamaz durumda olsa bile batarya kartuşunu yakmayın. Batarya kartuşu ateşe atılırsa patlayabilir.
8. Batarya kartuşunu çivilemeyin, kesmeyin, ezmeyin, fırlatmayın, düşürmeyin ya da batarya kartuşuna sert bir nesne ile vurmuyun. Bu eylemler yangın, aşırı ısı veya patlamaya neden olabilir.

9. **Hasarlı bataryayı kullanmayın.**
10. **Aletin içerdiği lityum-iyon bataryalar Tehlikeli Eşyalar Yönetmeliğinin gereksinimlerine tabidir.**
Ticari nakliye işlemleri için, örneğin üçüncü taraflar, nakliye acenteleri tarafından yapılan nakliyelerde, paketleme ve etiketleme gereksinimlerine uyulmalıdır.
Nakliyesi yapılacak ürünün hazırlanması için, tehlikeli maddeler konusunda uzman bir kişiye danışın. Lütfen muhtemelen daha ayrıntılı olan ulusal yönetmeliklere de uyun.
Başık kontakları bantlayın ya da maskeleyin ve bataryayı paketin içinde hareket etmeyecek şekilde paketleyin.
11. **Batarya kartuşunu bertaraf ederken aletten çıkarın ve güvenli bir yerde bertaraf edin. Bataryanın bertaraf edilmesi ile ilgili yerel düzenlemelere uyunuz.**
12. **Bataryaları sadece Makita tarafından belirtilen ürünlerle kullanın.** Bataryaların uyumsuz ürünlere takılması; yangın, aşırı ısınma, patlama ya da elektrolit sızıntısına neden olabilir.
13. **Alet uzun süre kullanılmıyacaksa batarya aletten çıkarılmalıdır.**
14. **Kullanma sırasında ve sonrasında batarya kartuşu ısınarak yanıklara veya düşük sıcaklık yanıklarına yol açabilir. Sıcak batarya kartuşları ile işlem yaparken dikkat edin.**
15. **Yanıklara neden olabilecek kadar sıcak olabileceğinden kullandıktan hemen sonra aletin terminaline dokunmayın.**
16. **Batarya kartuşunun terminallerine, deliklerine ve kanallarına mıcır, toz veya toprak girmesine izin vermeyin.** Aletin veya batarya kartuşunun ısınmasına, alev almasına, patlamasına ve arızalanmasına neden olarak yanıklara veya yaralanmaya yol açabilir.
17. **Alet yüksek gerilim elektrik güç hatlarında kullanımı desteklemediği sürece batarya kartuşunu yüksek gerilim elektrik güç hatlarının yakınında kullanmayın.** Aletin veya batarya kartuşunun arızalanmasına veya bozulmasına neden olabilir.

18. **Bataryayı çocuklardan uzak tutun.**

BU TALİMATLARI MUHAFAZA EDİNİZ.

⚠DİKKAT: Sadece orijinal Makita bataryalarını kullanın. Orijinal olmayan Makita bataryaları ya da üzerine değişiklik yapılmış bataryaların kullanımı bataryanın patlamasına ve sonuç olarak yangın, kişisel yaralanma ve hasara neden olabilir. Ayrıca Makita aleti ve şarj aletinin Makita tarafından sunulan garantisi de geçersiz olur.

Maksimum batarya ömrü için ipuçları

1. **Batarya kartuşunu tamamen boşalmadan önce şarj edin. Aletin gücünün zayıflamaya başladığını fark ettiğinizde aleti durdurun ve batarya kartuşunu şarj edin.**
2. **Tam dolu bir batarya kartuşunu asla yeniden şarj etmeyin. Aşırı şarj etme bataryanın hizmet ömrünü kısaltır.**
3. **Batarya kartuşunu 10 °C - 40 °C oda sıcaklığında şarj edin. Sıcak bir batarya kartuşunu şarj etmeden önce soğumasını bekleyin.**
4. **Batarya kartuşunu kullanmıyorken aletten veya şarj aletinden çıkarın.**
5. **Uzun bir süre (altı aydan daha fazla) kullanmadığınız durumlarda batarya kartuşunu şarj edin.**

PARÇALARIN TANIMI

► Şek.1

1	Anahtar tetik	2	Kilitleme düğmesi	3	Lamba düğmesi
4	Lamba	5	Tetik kilidi düğmesi	6	Hız modu değiştirme düğmesi
7	Hava tahliyesi	8	Dolum ağızı tapası	9	Esnek hortum
10	Adaptör	11	Askı deliği	12	Batarya kartuşu
13	Fıçı	14	Çubuk kolu	15	Hortum tutucu
16	Basınç emniyet valfi	17	Omuz askısı	-	-

İŞLEVSEL NİTELİKLER

⚠ DİKKAT: Alet üzerinde ayarlama veya işleyiş kontrolü yapmadan önce aletin kapalı ve batarya kartuşunun ayrılmış olduğundan daima emin olun.

Batarya kartuşunun takılması ve çıkarılması

⚠ DİKKAT: Batarya kartuşunu takmadan ya da çıkarmadan önce aleti daima kapatın.

⚠ DİKKAT: Batarya kartuşunu takarken veya çıkarırken aleti ve batarya kartuşunu sıkıca tutun. Aletin ve batarya kartuşunun sıkıca tutulmaması bunların düşürülmesine sebep olabilir ve alet ve batarya kartuşunun zarar görmesine ya da ciddi yaralanmasına yol açabilir.

► **Şek.2:** 1. Kırmızı gösterge 2. Düğme 3. Batarya kartuşu

Batarya kartuşunu çıkarmak için, kartuşun ön tarafındaki düğmeyi kaydırarak kartuşu aletten çıkarın.

Batarya kartuşunu takmak için, batarya kartuşu üzerindeki dili yuvanın oluğu ile hizalayın ve kartuşu yerine oturtun. Kartuşu, küçük bir tık sesi ile yerine sabitlenene dek sonuna kadar itin. Şekilde gösterildiği gibi kırmızı göstergeli görebiliyorsanız tam olarak kilitlememiş demektir.

⚠ DİKKAT: Batarya kartuşunu daima kırmızı gösterge görünmeyecek şekilde tam olarak takın. Yerine tam oturmazsa, aletten yanlışlıkla düşebilir, sizin ya da çevrenizdeki kişilerin yaralanmasına neden olabilir.

⚠ DİKKAT: Batarya kartuşunu zorlayarak takmayın. Kartuş kolay bir şekilde kaymıyorsa doğru yerleştirilmemiş demektir.

Alet/batarya koruma sistemi

Bu alet bir alet/batarya koruma sistemi ile donatılmıştır. Bu sistem motora giden gücü otomatik olarak keserek uzun alet ve batarya ömrü sağlar. Alet veya batarya için aşağıdaki durumlardan biri söz konusu olduğunda aletin işleyişi otomatik olarak durur:

Aşırı yük koruması

Alet/batarya, anormal derecede yüksek akım çekmesine neden olacak şekilde kullanıldığında, alet hiçbir belirti vermeden otomatik olarak durur. Bu durumda, aleti kapatın ve aletin aşırı yüklenmesine neden olan uygulamayı durdurun. Daha sonra aleti yeniden başlaması için çalıştırın.

Aşırı ısınma koruması

Alet veya batarya aşırı ısındığında otomatik olarak durur ve lamba yanıp söner. Bu durumda, yeniden çalıştırmadan önce aletin ve bataryanın soğumasını bekleyin.

Aşırı deşarj koruması

Batarya kapasitesi yeterli olmadığında, alet otomatik olarak durur. Bu durumda, bataryayı aletten çıkarın ve bataryayı tekrar şarj edin.

NOT: Koruma sisteminin çalışma ihtimali, ortam sıcaklığına veya gres tipi ve durumuna bağlı olarak daha yüksek olabilir.

Diğer nedenlere karşı korumalar

Koruma sistemi, alete zarar verebilecek diğer nedenler için de tasarlanmıştır ve aletin otomatik olarak durmasını sağlar. Alet çalışırken geçici duraklama ve durma yaparsa nedenleri ortadan kaldırmak için aşağıdaki tüm adımları uygulayın.

1. Aleti kapatın ve ardından tekrar açarak yeniden çalıştırın.
2. Bataryaları şarj edin veya şarjlı bataryalarla değiştirin.
3. Cihazın ve bataryaların soğumasını bekleyin.

Koruma sistemi eski haline getirilerek ilerleme kaydedilemezse yerel Makita Servis Merkezimize başvurun.

Kalan batarya kapasitesinin gösterilmesi

Sadece göstergeli batarya kartuşları için

► **Şek.3:** 1. Gösterge lambaları 2. Kontrol düğmesi

Kalan batarya kapasitesini göstermesi için batarya kartuşu üzerindeki kontrol düğmesine basın. Gösterge lambaları birkaç saniye yanar.

Gösterge lambaları			Kalan kapasite
Yanıyor	Kapalı	Yanıp sönmüyor	
■	□	◐	%75 ila %100
■	■	□	%50 ila %75
■	■	□	%25 ila %50
■	□	□	%0 ila %25
◐	□	□	Bataryayı şarj edin.
■	■	□	Batarya arızalanmış olabilir.

NOT: Kullanım koşullarına ve ortam sıcaklığına bağlı olarak, gösterilen değer gerçek kapasiteden biraz farklılık gösterebilir.

NOT: İlk (en soldaki) gösterge lambası, batarya koruma sistemi çalıştığından yanıp söner.

Anahtar işleyişi

⚠️ DİKKAT: Batarya kartuşunu alete takmadan önce anahtar tetiğın doğru çalıştığından ve bira kıldığında “OFF” (kapalı) konumuna döndüğünden emin olun.

⚠️ DİKKAT: Aleti kullanmazken tetik kilidi düğmesine “A” tarafından basarak anahtar tetiği kapalı konumda kilitleyin.

Anahtar tetiğın kazara çekilmesini engellemek için tetik kilidi düğmesi sağlanmıştır.

Aleti çalıştırmak için tetik kilidi düğmesine “B” tarafından basarak anahtar tetiği çekin.

Aletin çalışma hızı, anahtar tetiğe uygulanan baskı artırılarak arttırılır. Durdurmak için anahtar tetiği serbest bırakın. Kullanımdan sonra daima tetik kilidi düğmesine “A” tarafından bastırın.

Sürekli çalıştırma için, anahtar tetiği çekin ve ardından kilitleme düğmesini itin. Aleti kilitli pozisyondan çıkarmak için, açmak üzere anahtar tetiği tamamen çekin.

► **Şek.4:** 1. Anahtar tetik 2. Kilitleme düğmesi 3. Tetik kilidi düğmesi

Ön lambanın yakılması

⚠️ DİKKAT: Işığa bakmayın ya da ışık kaynağını doğrudan görmeyin.

Lambayı yakmak için lamba düğmesine basın. Lambayı söndürmek için lamba düğmesine tekrar basın. Alet motor durmuş iken, hiçbir işlem yapılmadan yaklaşık 60 saniye bırakılırsa lamba söner.

► **Şek.5:** 1. Lamba 2. Lamba düğmesi

ÖNEMLİ NOT: Lamba lensini temizlemek için kuru bir bez kullanın. Aydınlatmayı azaltacağı için lamba lensinin çizilmemesine dikkat edin.

Hız modunun seçilmesi

ÖNEMLİ NOT: Hız modunu, ancak alet tamamen durduktan sonra değiştirin.

Alette hız modu değiştirme düğmesi bulunur. Düğmeyi, düğme üzerindeki ok aşağıdaki iki moddan birini gösterecek şekilde çevirin;

1	Düşük hız modu: Sabit düşük hızda gres basar.
2	Otomatik hız modu: Besleme yapılan hedefin basıncına göre debi otomatik değişecek şekilde gres basar.

► **Şek.6:** 1. Hız modu değiştirme düğmesi

Basınç emniyet valfi

Aletin iç basıncı belirli bir seviyeyi geçtiğinde iç basıncı düşürmek için basınç emniyet valfinden gres çıkar.

► **Şek.7:** 1. Basınç emniyet valfi

⚠️ DİKKAT: Basınç emniyet valfini çıkarmayın veya üzerinde hiçbir ayarlama yapmayın.

⚠️ DİKKAT: Basınç emniyet valfinin kapağını çıkarmayın. Aksi takdirde basınç emniyet valfinden gres fışkırabilir ve gözlere gelebilir.

MONTAJ

⚠️ DİKKAT: Alet üzerinde herhangi bir iş yapmadan önce aletin kapalı ve batarya kartuşunun ayrılmış olduğundan daima emin olun.

Fıçının çıkarılması veya takılması

Fıçıyı çıkarmak için şekilde gösterildiği gibi çevirin.

► **Şek.8:** 1. Fıçı

Fıçıyı takmak için alete sokun ve ardından ters yönde çevirin.

► **Şek.9:** 1. Fıçı

Çubuk kolu

ÖNEMLİ NOT: Alete fıçı takılıken hava tahliye valfi sabitlenmiş durumda çubuk kolunu çekmeyin. Hava tahliye valfinin gevşetildiğinden emin olun. Aksi takdirde arızaya neden olabilir.

Fıçıya gres yüklerken çubuk kolunu çekin.

► **Şek.10:** 1. Çubuk kolu 2. Çubuk

Çubuk kolunu tamamen çekili durumda kilitlemek için çubuk kolunu, çubuk üzerindeki kanal görülebilene kadar çekin ve ardından kanalı yuvaya geçirin. Çubuk kolunun kilidini açmak için çubuk ileri hareket edecek şekilde kanalı kurtarın.

► **Şek.11:** 1. Kanal 2. Yuva

⚠️ DİKKAT: Çubuk kolunun sıkıca kilitlendiğinden emin olun. Aksi takdirde kazara kurtularak sıkırtmaya neden olabilir.

Hortum tutucu

Hortum tutucu aletin iki tarafından birine vida ile takılabilir.

► **Şek.12:** 1. Hortum tutucu 2. Vida

Omuz askısı

⚠️ UYARI: Askı deliğini asla halat (bağlama kayışı) için kullanmayın. Aksi takdirde, askı deliği düşme önlemeye yönelik bir emniyet aygıtı için tasarlanmadığından ciddi yaralanmaya neden olabilir.

⚠️ UYARI: Aleti taşırken omuz askısı kullanılıyor olsa bile aleti tutmaya devam edin. Aletin sadece omuz askısı ile taşınması aleti dengesiz hale getirir. Omuz askısı çıkabilir veya alet başka nesnelere vurabilir ve yaralanmaya neden olabilir.

Omuz askısının kancalarını şekilde gösterildiği gibi askı deliklerinin kulaklarına takın.

► **Şek.13:** 1. Omuz askısı 2. Kanca 3. Kulak

KULLANIM

Gres beslemesi

⚠UYARI: Gres ve/veya diğer araçların kullanma kılavuzlarını mutlaka okuyun ve aşağıdaki içeriği gerektiği gibi değiştirin. Yanlış kullanmak veya talimatlara uymamak alete hasar verebilir veya yaralanmaya neden olabilir.

ÖNEMLİ NOT: İçinde eski gres kalmış fiçiyi kullanırken fiçiyi çıkarın ve gres boşaltma bölümüne göre eski gresi boşaltın.

Gres besleme yöntemleri aşağıda verilmiştir:

Fiçiya gres kartuşu (piyasadan temin edilen) takma

ÖNEMLİ NOT: (Yalnızca A tipi fiçi için)

Kenarı fiçinin uç yüzeyine takılabilecek gres kartuşunu kullanın.

ÖNEMLİ NOT: (Sadece B tipi/C tipi fiçi için)

Kenarı fiçinin iç basamağına takılabilecek gres kartuşunu kullanın.

1. Hava tahliye valfini gevşetin.
▶ **Şek.14:** 1. Valf
2. Çubuk kolunu tamamen çekin ve kilitleyin.
▶ **Şek.15:** 1. Kanal 2. Çubuk 3. Çubuk kolu
3. Fiçiyi aletten çıkarın.
▶ **Şek.16:** 1. Fiçi
4. Gres kartuşunun plastik başlığını çıkarın ve gres kartuşunu fiçiyi sokun.
▶ **Şek.17:** 1. Gres kartuşu (piyasadan temin edilen) 2. Çekme halkası
5. Gres kartuşunun çekme halkasını çıkarın, ardından fiçiyi alete takın.
Gres kartuşunun kenarı ile fiçi arasında boşluk varsa fiçiyi ileri doğru ittirerek fiçiyi alete vidalayın.
▶ **Şek.18**
6. Çubuk kolunu bırakın.
▶ **Şek.19**
7. Gres akış yolunda kalan havayı tahliye edin.
▶ **Şek.20**
8. Delikten gres çıktığını gördüğünüzde hava tahliye valfini sıkın.
▶ **Şek.21**

NOT: Alet gresi düzgün basamazsa gres akış yolunda hava kalmış olabilir. Hava tahliye valfini gevşetin ve havayı tahliye edin. (Hava tahliye kısmına bakın.)

Fiçiya dökme kaptan (piyasadan temin edilen) gres doldurma

1. Hava tahliye valfini gevşetin.
2. Çubuk kolunu tamamen çekin ve kilitleyin.
3. Fiçiyi aletten çıkarın.
Çubuk kolunu açın ve kolu ileriye hafifçe alın.
4. Fiçinin ucunu grese batırın ve ardından çubuk kolunu çekin. Fiçiya gres pompalarını.
▶ **Şek.22:** 1. Dökme kap (piyasadan temin edilen)
5. Çubuk kolunu tamamen çekin ve kilitleyin.
▶ **Şek.23**
6. Fiçiyi alete takın ve ardından çubuk kolunun kilidini açın.
7. Gres akış yolunda kalan havayı tahliye edin.
8. Delikten gres çıktığını gördüğünüzde hava tahliye valfini sıkın.

ÖNEMLİ NOT: Çubuk kolunu kilitletlerken çubuk kolunun sıkıca kilitletiğinden emin olun. Aksi takdirde çubuk kolu kazara açılır, fiçiden gres çıkar.

NOT: (Sadece B tipi/C tipi fiçi için)

Gres dolum miktarı vida yiv çizgisinin altında olmalıdır. Aksi takdirde fiçiyi alete takarken gres taşabilir.

▶ **Şek.24:** 1. Fiçi (B tipi/C tipi) 2. Vida yivi 3. Gres

NOT: Alet gresi düzgün basamazsa gres akış yolunda hava kalmış olabilir. Hava tahliye valfini gevşetin ve havayı tahliye edin. (Hava tahliye kısmına bakın.)

Dökme kaba takılı bir dolum pompası (piyasadan temin edilen) kullanarak da fiçiya gres doldurabilirsiniz.

1. Fiçiyi aletten çıkarın.
2. Yükleyici rakorunun (piyasadan temin edilen) dişli kısmının etrafına diş sızdırmazlık bandı sarın.
3. Dolum ağız tapasını çıkarın. Dolum ağızına bir yükleyici rakoru takın.
4. Fiçiyi alete takın. (Çubuk kolu açıktır.)
5. Hava tahliye valfinin sabitlendiğinden emin olun.
Yükleyici rakorunu dolum pompası rakoruna bağlayın.
▶ **Şek.25:** 1. Dolum ağız tapası 2. Dolum ağız 3. Yükleyici rakoru (piyasadan temin edilen) 4. Dolum pompası (piyasadan temin edilen) 5. Rakor
6. Dolum pompasını çalıştırın. Çubuk kolunun çubuğu, fiçi gresle doldukça dışarı ittirilir.
▶ **Şek.26**
7. Yükleyici rakorunu dolum pompası rakorundan ayırın.
8. Gres akış yolunda kalan havayı tahliye edin.
9. Delikten gres çıktığını gördüğünüzde hava tahliye valfini sıkın.

⚠UYARI: Sadece düşük basınçlı yükleyici rakoru kullanın. Asla yüksek basınçlı yükleyici rakoru kullanmayın, aksi takdirde alete hasar verebilir ve yaralanmaya neden olabilir.

⚠DİKKAT: Dolum pompası kullanarak gres doldururken aleti sıkıca tutun. Alet düşebilir ve yaralanmaya neden olabilir.

ÖNEMLİ NOT: Çubuk üzerindeki kanalı gördüğünüzde gres dolumunu durdurun. Aksi takdirde gres sızıntısı meydana gelebilir.

NOT: Alet gresi düzgün basamazsa gres akış yolunda hava kalmış olabilir. Hava tahliye valfini gevşetin ve havayı tahliye edin. (Hava tahliye kısmına bakın.)

Hava tahliyesi

Gres akış yolunda hava kalırsa alet gresi doğru basamaz. Her kullanımdan önce ve alet hava nedeniyle düzgün çalışmıyor gözüktüğünde havayı tahliye edin.

1. Aletin içindeki havayı tahliye etmek için hava tahliye valfini gevşetin. Hava tahliye deliğinden hava çıkar.
 2. Delikten gres çıktığını gördüğünüzde valfi sıkın.
- **Şek.27:** 1. Valf

⚠UYARI: Havayı tahliye ederken koruyucu gözlük takın.

⚠DİKKAT: Hava tahliyesinden çıkan gresi kuru bir bez, vb. ile silin. Aksi takdirde kaymaya yol açabilir ve yaralanmaya neden olabilir.

Gres basılması

Aşağıdaki durumlarda kullanmadan önce aletin içindeki eski gresi boşaltın;

— Aleti ilk kez kullanırken veya;

— Öncekinden farklı tipte gres kullanırken.

Fiçiyi yeni gres doldurulmuş olarak adaptörden eski gres dışarı atılana dek aleti bir süre çalıştırın.

ÖNEMLİ NOT: Eski gres boşalana dek adaptörü gresörlüğe bağlamayın. Farklı türde gresler karıştırılırsa gres performansı düşebilir.

NOT: Alet fabrikada test edilmiştir ve az miktarda gres kalır.

Gres basmak için aşağıdaki prosedürü uygulayın:

⚠DİKKAT: Çalışmadan önce hız modunu mutlaka kontrol edin.

ÖNEMLİ NOT: Adaptörü gresörlüğe bağlamadan önce aletin gresi düzgün bastığını her zaman kontrol edin.

ÖNEMLİ NOT: Adaptörü gresörlüğe zorlayarak bağlamayın.

1. Bağlamadan önce adaptörü ve gresörlüğü silin. Adaptörü gresörlüğe düz itinir.
 2. Gres basmak için anahtar tetiği çekin.
- **Şek.28**

3. Gres basma işlemi bittiğinde adaptörü gresörlükten çıkarın. İç basıncı serbest bırakmak için adaptörü hafif yatırın ve ardından adaptörü gresörlükten çıkarın.

Adaptör ve gresörlükteki gresi silerek temizleyin.

ÖNEMLİ NOT: Gres bittikten sonra bile aleti çalıştır bırakmayın. Aletin ömrünü kısaltabilir.

NOT: Alet gresi düzgün basamazsa gres akış yolunda hava kalmış olabilir. Hava tahliye valfini gevşetin ve havayı tahliye edin. (Hava tahliye kısmına bakın.)

NOT: Anahtar tetik tamamen çekilmeden iç basınç yükselirse koruma sistemi çalışır ve alet maksimum çalışma basıncına ulaşmamış olsa bile motor durur. Yüksek basınçta gres basarken anahtar tetiği tamamen çekin.

NOT: Alet 6 dakikadan daha fazla çalışmaya devam ederse alet otomatik olarak durur.

Aletin gresi düzgün basamaması durumunda

Alet gresi düzgün basamazsa gres akış yolunda hava kalmış olabilir. Havayı aşağıdaki prosedüre göre boşaltın.

1. Hava tahliye valfini gevşetin.

► **Şek.29:** 1. Valf

2. Gres akış yolunda kalan havayı tahliye edin.

► **Şek.30**

3. Delikten gres çıktığını gördüğünüzde hava tahliye valfini sıkın.

► **Şek.31**

BAKIM

⚠DİKKAT: Muayene ya da bakım yapmadan önce aletin kapalı ve batarya kartuşunun çıkartılmış olduğundan daima emin olun.

ÖNEMLİ NOT: Benzin, tiner, alkol ve benzeri maddeleri kesinlikle kullanmayın. Renk değişimi, deformasyon veya çatlaklar oluşabilir.

Aleti EMNİYETLİ ve ÇALIŞMAYA HAZIR durumda tutmak için onarımlar, başka her türlü bakım ve ayarlamalar daima Makita yedek parçaları kullanılarak Makita yetkili servis merkezleri veya Fabrikanın Servis Merkezleri tarafından yapılmalıdır.

Gres boşaltımı

Aleti depolarken veya içinde gres kalmış fiçiyi kullanırken fiçiyi çıkarın ve aşağıdaki prosedüre göre eski gresi boşaltın.

1. Hava tahliye valfini gevşetin.
2. Çubuk kolunu tamamen çekin ve kilitleyin.
3. Fiçiyi aletten çıkarın.
4. Çubuk kolunun kilidini açın. Çubuk kolunu tutmaya devam edin ve gresin fiçidan çıkması için çubuk kolunu yavaşça ileri alın.

⚠DİKKAT: Elinizi çubuk kolundan çekmeyin. Aksi takdirde gres güçlü bir şekilde çıkar.

ÖNEMLİ NOT: Fiçinin içini tozdan uzak tutun. Toz, aleti tkayabilir.

ÖNEMLİ NOT: Fiçinin içini üç ayda bir temizleyin.

İSTEĞE BAĞLI AKSESUARLAR

⚠DİKKAT: Bu aksesuarlar ve ek parçalar bu el kitabında belirtilen Makita aletiniz ile kullanılmak için tavsiye edilmektedir. Herhangi başka bir aksesuar ya da ek parça kullanılması insanlar için bir yaralanma riski getirebilir. Aksesuarları ya da ek parçaları yalnızca belirtilmiş olan kullanım amaçlarına uygun olarak kullanın.

Bu aksesuarlarla ilgili daha fazla bilgiye ihtiyaç duyar-sanız bulunduğunuz yerdeki yetkili Makita servisine başvurun.

- Adaptör
- Esnek hortum
- Fıçı
- Kartuş fıçısı
- Omuz askısı
- Kilitli adaptör
- Açılı adaptör
- Orijinal Makita batarya ve şarj aleti

NOT: Listedeki parçaların bazıları alet paketi içeri-sinde standart aksesuar olarak dahil edilmiş olabilir. Bunlar ülkeden ülkeye farklılık gösterebilir.

Adaptörün değiştirilmesi

Eski adaptörü şekilde gösterildiği gibi iki anahtarla gevşeterek çıkarın ve ardından yeni adaptörü sımsıkı sıkın.

► **Şek.32**

NOT: Hortum ile adaptör arasındaki ek yerinden gres sızıntısı olursa adaptörü bağlamadan önce hortumun dişli kısmının etrafına dış sızdırmazlık bandı sarın.

Esnek hortumun değiştirilmesi

Eski esnek hortumu şekilde gösterildiği gibi bir anahtarla gevşeterek çıkarın ve ardından yeni esnek hortumu sımsıkı sıkın.

► **Şek.33**

⚠DİKKAT: Esnek hortumun bağlantı kısmına takılı kauçuk halkayı aynı zamanda değiştirin. Esnek hortumu kauçuk halka olmadan veya eski kauçuk halkayı kullanarak değiştirirseniz gres sızabilir ve yaralanmaya neden olabilir.

Fıçının değiştirilmesi

NOT: Fıçı tipi ülkeye göre değişir.

NOT: Farklı tipte bir fıçı takmak için fıçı tipine bağlı olarak aşağıda anlatılan ek parçalar gerekir.

Fıçıyı A tipinden B tipine/C tipine değiştirme

1. A tipi fıçıyı çıkarın.
2. Vidayı ve ardından manşonu sökün.
► **Şek.34:** 1. Manşon 2. Vida
3. Tırnağı, montaj parçası üzerindeki kanalla hizala-yarak kauçuk contalı ek yerini sokun ve ardından vida-larla sabitleyin.
4. B tipi/C tipi fıçıyı takın.
► **Şek.35:** 1. Ek yeri 2. Kauçuk conta 3. Tırnak 4. Kanal 5. Vida

Fıçıyı B tipinden/C tipinden A tipine değiştirme

1. B tipi/C tipi fıçıyı çıkarın.
2. Ek yerini, vidalarını sökerek çıkarın.
► **Şek.36:** 1. Ek yeri 2. Kauçuk conta 3. Vida
3. Manşonu aletin gövdesine sokun, ardından bir vida ile sabitleyin.
4. A tipi fıçıyı takın.
► **Şek.37:** 1. Manşon 2. Vida

Kartuş fıçısı

Kartuş fıçısının üzerindeki delikten gres kartuşunu görebilirsiniz.

► **Şek.38**

Kartuş fıçısını kullanırken piston parçalarını ilgili fıçıdan kartuş fıçısına aktarın.

► **Şek.39:** 1. Piston parçaları 2. Kartuş fıçısı

Çubuk kolu çıkarmakta zorlanırsanız aşağıdaki prose-dürü izleyin.

1. Boş gres kartuşunu fıçıya sokun.
► **Şek.40:** 1. Boş gres kartuşu
2. Çubuk kolunu çekin ve kilitleyin.
► **Şek.41**
3. Boş gres kartuşunu fıçıdan çıkarın.

Kilitli adaptör

⚠DİKKAT: Parmağınızı kilitli adaptöre sıkıştı-rmamaya dikkat edin.

⚠DİKKAT: Koruyucu gözlük takın. Kilitli adap-törün gresörlükten çıkarırken aletten gres fişkirabilir ve yaralanmaya neden olabilir.

Kilitli adaptörü gresörlüğe bağlarken kilitli adaptörün mandalını çekmek suretiyle kilitli adaptörü gresörlüğe düz bir şekilde itirin, ardından mandalı bırakın.

► **Şek.42:** 1. Mandal 2. Kilitli adaptör

Kilitli adaptörü monte etmek için adaptörün değiştiril-mesi kısmına bakın.

Açılı adaptör

Açılı adaptörü takarken aletin adaptörünü açılı adaptöre düz bir şekilde ittirin.

► **Şek.43:** 1. Açılı adaptör

NOT: Ağır iş makineleri ve araçların ek yerlerindeki veya kayar parçalarındaki eski gresin değiştirilmesi gibi nispeten düşük basınçta gres püskürtmek için açılı adaptör önerilir.

SORUN GİDERME

Onarım için servise gitmeden önce kontrolleri yapın. Kılavuzda açıklanmayan bir problemle karşılaşırsanız aleti demonte etmeyin. Bunun yerine, Makita Yetkili Servis Merkezlerine başvurun ve daima orijinal Makita yedek parçaları kullanın.

Anormal durum	Olası nedeni (arıza)	Çözümü
Alet gres basmıyor.	Gres akış yolunda hava kalmıştır.	Aletin içindeki havayı tahliye etmek için hava tahliye valfini gevşetin.
	Hava tahliye valfi gevşemiştir.	Hava tahliye valfini kapatın.
	Gres yoğunluğu yüksektir.	NLGI No.0 - No.2 gres kullanın.
	Düşük ortam/depolama sıcaklığı nedeniyle gres sertleşmiştir.	Kullanmadan önce gresi ısıtın.
	Aletin içinde gres yoktur.	Alete gres besleyin.
Çubuk kolunu çekemiyorsunuz.	Hava tahliye valfi kapatılmıştır.	Hava tahliye valfini gevşetin.
Adaptörden gres sızıyor.	Gres basma ağzında (gresörlük) aşınma, hasar veya toz vardır.	Gres basma ağzını (gresörlük) temizleyin veya değiştirin.
	Adaptör eskimiştir.	Adaptörü değiştirin.
Havayı tahliye ederken hava tahliye valfinden gres çıkmıyor.	Hava tahliye valfi yeterince gevşek değildir.	Hava tahliye valfini biraz daha gevşetin.
	Gres serttir.	Hava zaten tahliye edilmiştir. Hava tahliye valfini kapatın, batarya kartuşunu takın ve aleti açarak aletin gres bastığını kontrol edin.

Makita Europe N.V. Jan-Baptist Vinkstraat 2,
3070 Kortenberg, Belgium

Makita Corporation 3-11-8, Sumiyoshi-cho,
Anjo, Aichi 446-8502 Japan

www.makita.com

885731B997
EN, FR, DE, IT, NL,
ES, PT, DA, EL, TR
20210803