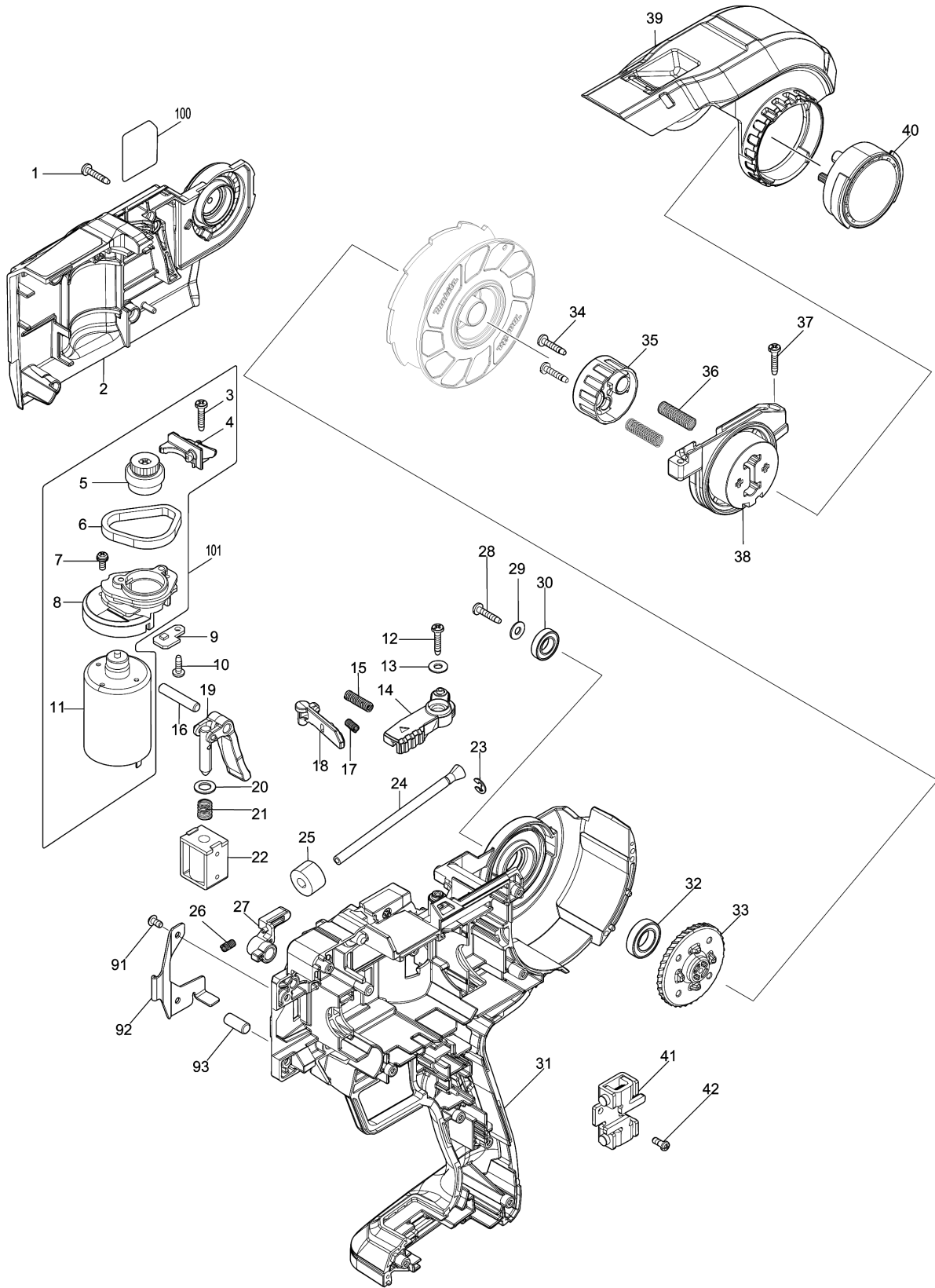
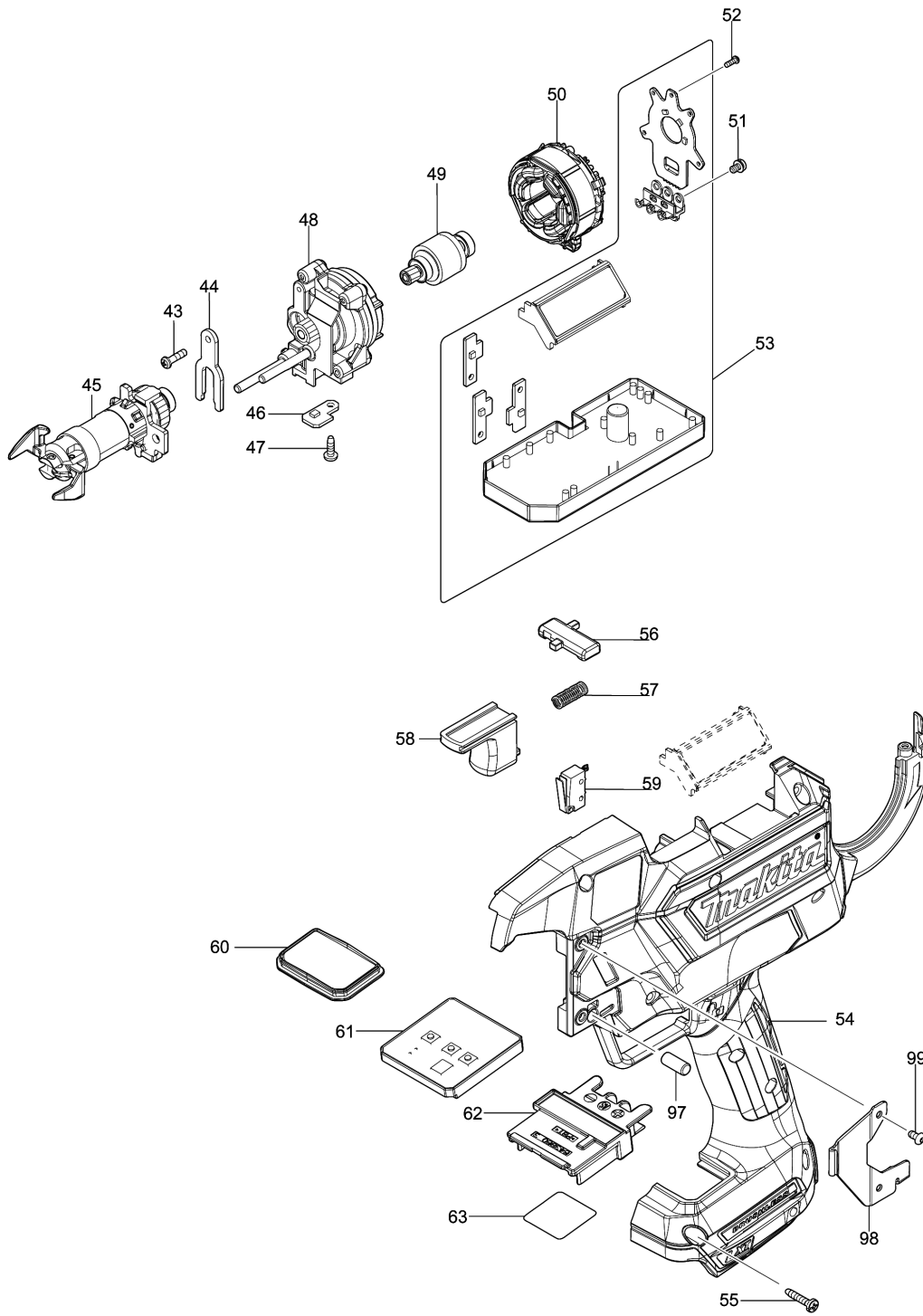


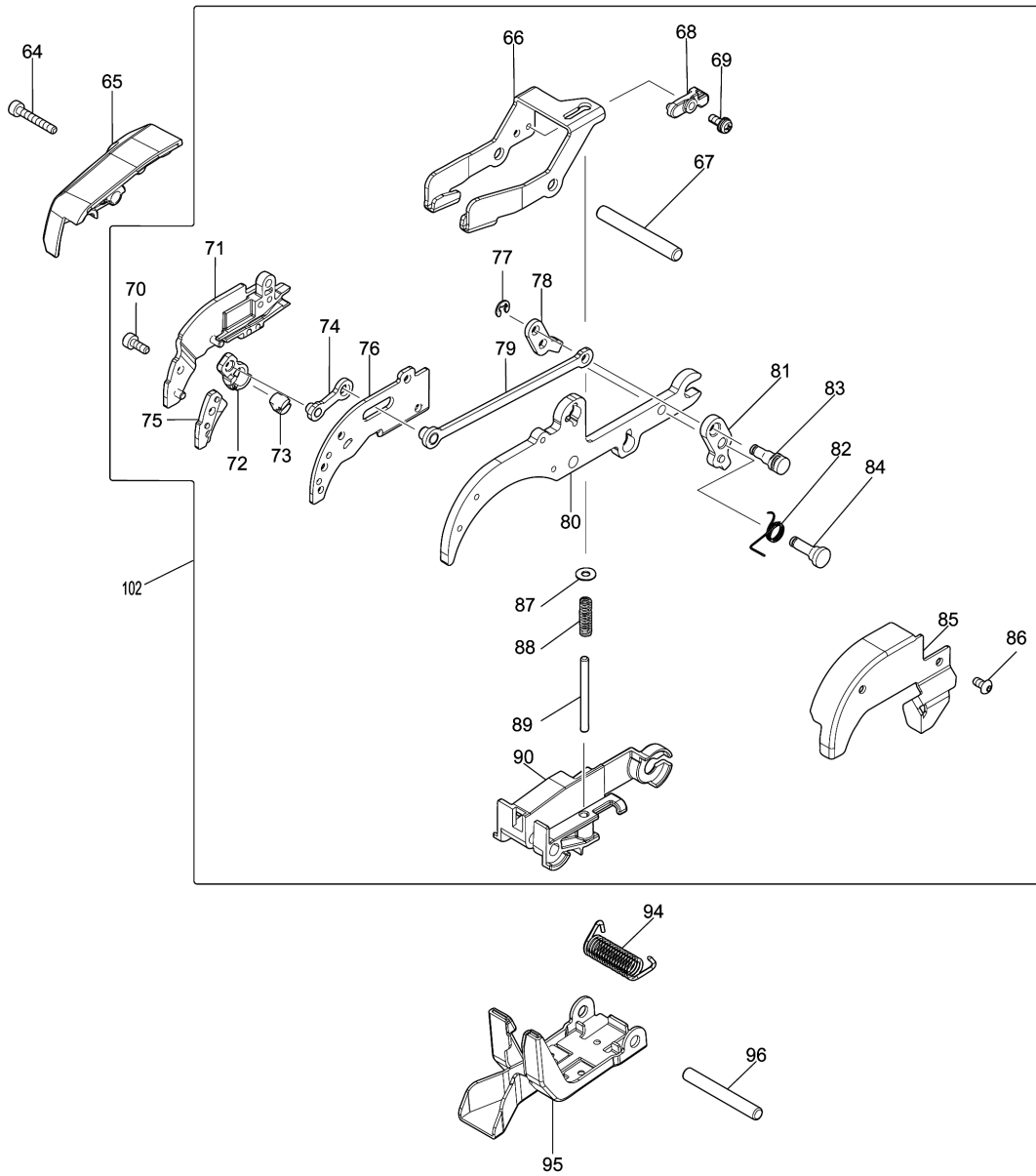
Model No.DTR180 CORDLESS REBAR TYING TOOL



Model No.DTR180 CORDLESS REBAR TYING TOOL



Model No.DTR180 CORDLESS REBAR TYING TOOL



Model No.DTR180 CORDLESS REBAR TYING TOOL

| Item | Parts No. | Description | I/C | Qty | New/Old | Opt. 1 | Opt. 2 | Note |
|-------|-----------|----------------------------|-----|-----|---------|--------|--------|------|
| 001 | 266130-9 | TAPPING SCREW BIND PT 3X16 | | 4 | | | | |
| 002 | 140B66-1 | HOUSING COVER COMPLETE | | 1 | * | | | |
| C10 | 817A35-8 | INDICATION LABEL A | | 1 | * | | | |
| C20 | 817A42-1 | CAUTION LABEL A | | 1 | * | | | |
| C30 | 817A44-7 | CAUTION LABEL B | | 1 | * | | | |
| 002-1 | 140J78-2 | HOUSING COVER COMPLETE | S | 1 | * | | | |
| C10 | 817A35-8 | INDICATION LABEL A | | 1 | * | | | |
| C20 | 817A42-1 | CAUTION LABEL A | | 1 | * | | | |
| C30 | 817A44-7 | CAUTION LABEL B | | 1 | * | | | |
| 002-2 | 140V64-5 | HOUSING COVER COMPLETE | O | 1 | | | | |
| C10 | 817A35-8 | INDICATION LABEL A | | 1 | | | | |
| C20 | 817A42-1 | CAUTION LABEL A | | 1 | | | | |
| C30 | 817A44-7 | CAUTION LABEL B | | 1 | | | | |
| 003 | 266130-9 | TAPPING SCREW BIND PT 3X16 | | 1 | | | | |
| 004 | 310864-7 | WIRE GUIDE A | | 1 | | | | |
| 005 | 135968-2 | SPUR GEAR 30A ASSEMBLY | | 1 | | | | |
| 006 | 422247-0 | SPONGE SHEET A | | 1 | | | | |
| 007 | 911008-8 | PAN HEAD SCREW M3X8 | | 2 | | | | |
| 008 | 458222-0 | MOTOR BASE | | 1 | | | | |
| 009 | 620913-5 | SENSOR CIRCUIT | | 1 | | | | |
| 010 | 266007-8 | TAPPING SCREW BIND PT 3X10 | | 1 | | | | |
| 011 | 629346-1 | DC MOTOR | | 1 | | | | |
| 012 | 266130-9 | TAPPING SCREW BIND PT 3X16 | | 1 | | | | |
| 013 | 941051-3 | FLAT WASHER 4 | | 1 | | | | |
| 014 | 135969-0 | RELEASE LEVER ASSY | | 1 | | | | |
| 015 | 232443-0 | COMPRESSION SPRING 3 | | 1 | | | | |
| 016 | 256098-7 | PIN 5 | | 1 | | | | |
| 017 | 232442-2 | COMPRESSION SPRING 3 | | 1 | | | | |
| 018 | 458223-8 | LOCK LEVER | | 1 | | | | |
| 019 | 140A85-1 | BRAKE ARM COMPLETE | | 1 | | | | |
| 020 | 941152-7 | FLAT WASHER 6 | | 1 | | | | |
| 021 | 232446-4 | COMPRESSION SPRING 7 | | 1 | | | | |
| 022 | 679032-4 | SOLENOID | | 1 | | | | |
| 023 | 961011-9 | STOP RING E-4 | | 1 | * | | | |
| 024 | 327112-7 | WIRE GUIDE PIPE | | 1 | * | | | |
| 024-1 | 140L14-0 | WIRE GUIDE PIPE COMPLETE | S | 1 | | | | |
| 025 | 422249-6 | SPONGE SHEET B | | 1 | | | | |
| 026 | 232442-2 | COMPRESSION SPRING 3 | | 1 | | | | |
| 027 | 144901-3 | MAGNET ARM CCOMPLETE | | 1 | | | | |
| 028 | 266130-9 | TAPPING SCREW BIND PT 3X16 | | 1 | | | | |

Model No.DTR180 CORDLESS REBAR TYING TOOL

| Item | Parts No. | Description | I/C | Qty | New/Old | Opt. 1 | Opt. 2 | Note |
|-------|-----------|----------------------------|-----|-----|---------|--------|--------|------|
| 029 | 941051-3 | FLAT WASHER 4 | | 1 | | | | |
| 030 | 211478-4 | BALL BEARING 689 | | 1 | | | | |
| 031 | 183J56-9 | HOUSING SET | | 1 | | | | |
| C10 | 263005-3 | RUBBER PIN 6 | | 2 | | | | |
| C20 | 252126-6 | HEX. LOCK NUT M4-7 | | 2 | | | | |
| C30 | 931002-4 | HEX. NUT M3 | | 2 | | | | |
| C40 | 817A46-3 | CAUTION LABEL C | | 1 | | | | |
| D10 | | INC. 54 | | | | | | |
| 032 | 211136-2 | BALL BEARING 6801LLB | | 1 | | | | |
| 033 | 144904-7 | MAGNET WHEEL COMPLETE | | 1 | * | | | |
| 033-1 | 140H97-6 | MAGNET WHEEL COMPLETE | S | 1 | | | | |
| 034 | 266130-9 | TAPPING SCREW BIND PT 3X16 | | 2 | | | | |
| 035 | 319665-0 | REEL BEARING | | 1 | * | | | |
| 035-1 | 319822-0 | REEL BEARING | < | 1 | | | | |
| 036 | 231294-8 | COMPRESSION SPRING 6 | | 2 | | | | |
| 037 | 266130-9 | TAPPING SCREW BIND PT 3X16 | | 2 | | | | |
| 038 | 458225-4 | REEL BASE | | 1 | | | | |
| 039 | 458216-5 | REEL COVER | | 1 | | | | |
| 040 | 458221-2 | REEL BEARING CAM | | 1 | | | | |
| 041 | 126743-7 | STOPPER ASSEMBLY | | 1 | | | | |
| 042 | 265199-0 | + PAN HEAD SCREW M3X8 | | 2 | | | | |
| 043 | 911017-7 | PAN HEAD SCREW M3X12 | | 1 | | | | |
| 044 | 310866-3 | BEARING RTAINER | | 1 | | | | |
| 045 | 140B72-6 | MAIN SLEEVE COMPLETE | | 1 | * | | | |
| 045-1 | 140J49-9 | MAIN SLEEVE COMPLETE | < | 1 | | | | |
| 046 | 620913-5 | SENSOR CIRCUIT | | 1 | | | | |
| 047 | 266007-8 | TAPPING SCREW BIND PT 3X10 | | 1 | | | | |
| 048 | 126838-6 | GEAR ASSEMBLY | | 1 | | | | |
| 049 | 619520-9 | ROTOR | | 1 | | | | |
| 050 | 629343-7 | STATOR | | 1 | | | | |
| 051 | 652069-6 | FLAT HEAD SCREW M3X6 | | 3 | | | | |
| 052 | 266490-9 | TAPPING SCREW PT 2X6 | | 3 | | | | |
| 053 | 140B68-7 | MAIN CONTROLLER COMPLETE | | 1 | | | | |
| C10 | 817A37-4 | INDICATION LABEL B | | 1 | | | | |
| 054 | 183J56-9 | HOUSING SET | | 1 | | | | |
| C10 | 263005-3 | RUBBER PIN 6 | | 2 | | | | |
| C20 | 252126-6 | HEX. LOCK NUT M4-7 | | 2 | | | | |
| C30 | 931002-4 | HEX. NUT M3 | | 2 | | | | |
| C40 | 817A46-3 | CAUTION LABEL C | | 1 | | | | |
| D10 | | INC. 31 | | | | | | |

Model No.DTR180 CORDLESS REBAR TYING TOOL

| Item | Parts No. | Description | I/C | Qty | New/Old | Opt. 1 | Opt. 2 | Note |
|-------|-----------|----------------------------|-----|-----|---------|--------|--------|------|
| 055 | 266130-9 | TAPPING SCREW BIND PT 3X16 | | 11 | | | | |
| 056 | 458219-9 | TRIGGER LOCK | | 1 | | | | |
| 057 | 234037-7 | COMPRESSION SPRING 5 | | 1 | | | | |
| 058 | 458220-4 | TRIGGER | | 1 | | | | |
| 059 | 632L94-5 | SWITCH UNIT | | 1 | | | | |
| 060 | 140B67-9 | SWITCH PLATE COMPLETE | | 1 | | | | |
| C10 | 817A39-0 | INDICATION LABEL C | | 1 | | | | |
| 061 | 620924-0 | SWITCH CIRCUIT | | 1 | | | | |
| 062 | 643860-3 | TERMINAL | | 1 | | | | |
| 063 | 854L26-4 | DTR180 SERIAL NO. LABEL | | 1 | | | | |
| 064 | 265633-0 | HEX SOCKET HEAD BOLT M3X20 | | 1 | | | | |
| 065 | 458217-3 | CONTACT PLATE COVER | | 1 | | | | |
| 066 | 347331-9 | CONTACT PLATE | | 1 | | | | |
| 067 | 256573-3 | PIN 5 | | 1 | | | | |
| 068 | 144903-9 | MAGNET BASE B COMPLETE | | 1 | | | | |
| 069 | 911008-8 | PAN HEAD SCREW M3X8 | | 1 | | | | |
| 070 | 265634-8 | HEX SOCKET HEAD BOLT M3X8 | | 1 | | | | |
| 071 | 140C95-0 | WIRE GUIDE B COMPLETE | | 1 | | | | |
| 072 | 310815-0 | CUTTER B | | 1 | | | | |
| 073 | 310814-2 | CUTTER A | | 1 | | | | |
| 074 | 161872-9 | LINK ARM A COMPLETE | | 1 | | | | |
| 075 | 347328-8 | TOP PLATE | | 1 | | | | |
| 076 | 347326-2 | GUIDE PLATE A | | 1 | | | | |
| 077 | 961017-7 | STOP RING E-3 | | 2 | | | | |
| 078 | 347330-1 | PULL PLATE | | 1 | * | | | |
| 078-1 | 347720-8 | PULL PLATE | < | 1 | | | | |
| 079 | 161873-7 | LINK ARM B COMPLETE | | 1 | | | | |
| 080 | 347370-9 | GUIDE ARM A | | 1 | | | | |
| 081 | 347329-6 | PUSH PLATE | | 1 | | | | |
| 082 | 232445-6 | TORSION SPRING 7 | | 1 | | | | |
| 083 | 256400-4 | SHOULDER PIN 4 | | 1 | | | | |
| 084 | 256399-3 | SHOULDER PIN 4 | | 1 | | | | |
| 085 | 347327-0 | GUIDE PLATE B | | 1 | | | | |
| 086 | 265635-6 | H.S.BUTTON HEAD SCREW M3X6 | | 2 | | | | |
| 087 | 941001-8 | FLAT WASHER 3 | | 1 | | | | |
| 088 | 232444-8 | COMPRESSION SPRING 4 | | 1 | | | | |
| 089 | 256390-1 | PIN 3 | | 1 | | | | |
| 090 | 458226-2 | LEAD HOLDER | | 1 | | | | |
| 091 | 265635-6 | H.S.BUTTON HEAD SCREW M3X6 | | 2 | | | | |
| 092 | 347333-5 | SIDE PLATE R | | 1 | | | | |

Model No.DTR180 CORDLESS REBAR TYING TOOL

| Item | Parts No. | Description | I/C | Qty | New/Old | Opt. 1 | Opt. 2 | Note |
|--------|-----------|-----------------------------------|-----|-----|---------|--------|--------|------|
| 093 | 263040-1 | RUBBER PIN 6 | | 1 | | | | |
| 094 | 232448-0 | TORSION SPRING 6 | | 1 | | | | |
| 095 | 161867-2 | CURL GUIDE COMPLETE | | 1 | | | | |
| 096 | 256573-3 | PIN 5 | | 1 | | | | |
| 097 | 263040-1 | RUBBER PIN 6 | | 1 | | | | |
| 098 | 347332-7 | SIDE PLATE L | | 1 | | | | |
| 099 | 265635-6 | H.S.BUTTON HEAD SCREW M3X6 | | 2 | | | | |
| 100 | 854L20-6 | DTR180 NAME PLATE | | 1 | | | | |
| 101 | 135999-1 | DC MOTOR ASSY | | 1 | | | | |
| D10 | | INC. 3-8,11 | | | | | | |
| 102 | 135998-3 | GUIDE ARM ASS'Y | | 1 | * | | | |
| D10 | | INC. 66-90 | | | * | | | |
| 102-1 | 136184-9 | GUIDE ARM ASSY | < | 1 | | | | |
| D10 | | INC. 66-90 | | | | | | |
| 103 | 232508-8 | COMPRESSION SPRING 10 | S | 1 | | | | |
| A01 | 251314-2 | + SCREW M4X12 | | 1 | | | | |
| A02 | 346449-3 | HOOK | | 1 | | | | |
| A03 | 783208-8 | HEX. WRENCH 2.5 | | 1 | | | | |
| A04B | 821552-6 | CONNECTOR PLASTIC CASE (TYPE4) | | 1 | * | | | |
| C10 | 453974-8 | LATCH | | 4 | * | | | |
| A04-1B | 140S63-9 | CONNECTOR P.CASE (TYPE4) COMP. | < | 1 | | | | |
| C10 | 453974-8 | LATCH | | 4 | | | | |
| C20 | 8008X6-2 | CAUTION LABEL | | 1 | | | | |
| A05B | 839735-4 | INNER TRAY | | 1 | | | | |
| A06B | 817D09-7 | DTR180ZJ INDICATION LABEL | | 1 | | | | |
| A07B | 817D10-2 | DTR180ZJ PLASTIC CASE LABEL | | 2 | | | | |
| A09 | 162755-6 | NYLON BRUSH | | 1 | | | | |

Please order the parts with part number.

Print Date 27/3/2020